

[Accessories and Spare Parts for Controls](#) > [Motors / Actuators](#) > [AST-G motor, actuators, connectors, for ETS/KVS valves](#) > **034G0013**

Introduction

034G0013

Search catalogue



characteristic	value
Type	Accessory
Weight	0.663 Kg
Application	ETS
Application	KVS
Pack format	Single pack
Quantity per pack format	1 pc
Type designation	AST-G service driver

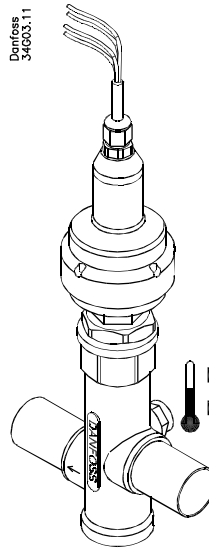


034R9510

Tilladt omgivelsestemperatur
Allowable ambient temperature
Zulässige Umgebungstemperatur
Température ambiante admissible
Temperatura ambiente permisible

ETS 25, biflow
ETS 50, biflow
ETS 100, biflow

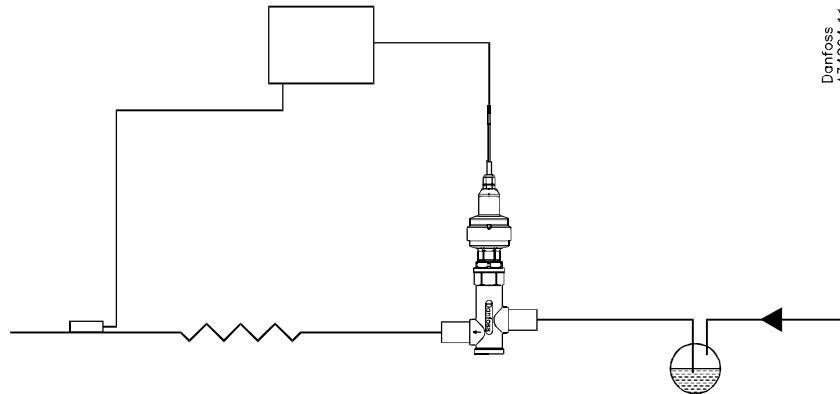
Danfoss
34G03.11



Max. +60°C (140°F)
Min. -40°C (-40°F)

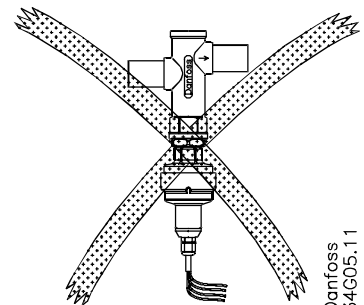
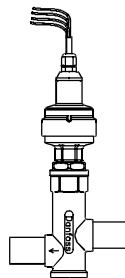
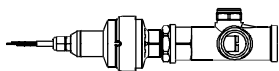
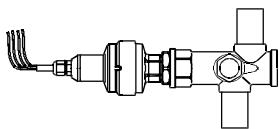
034R9510

Anvendelse
Application
Anwendung
Application
Aplicación



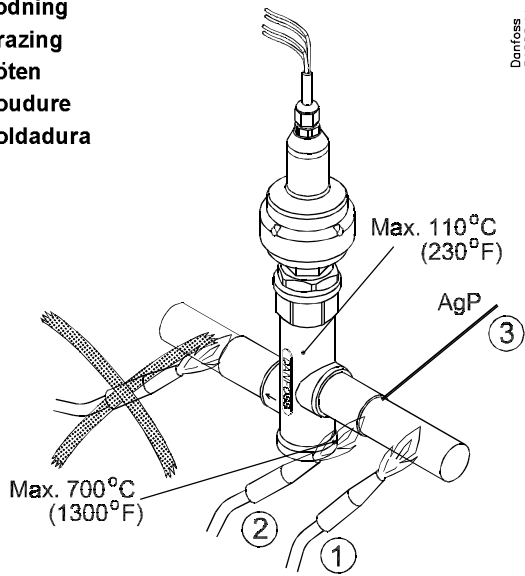
Danfoss
A34G04.11

Montage
Mounting
Einbau
Montage
Instalación



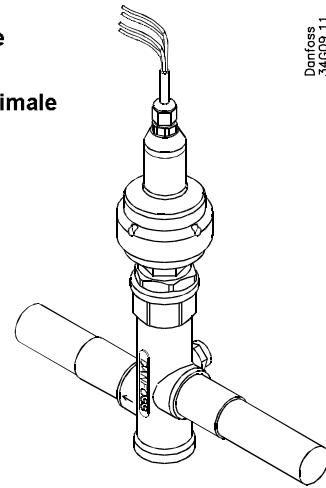
Danfoss
34G05.11

Lodning
 Brazing
 Lötén
 Soudure
 Soldadura



Danfoss
 34606.11

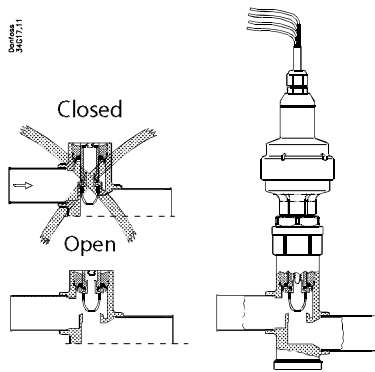
Max. tryk
 Max. pressure
 Max. Druck
 Pression maximale
 Presión máx.



Danfoss
 34609.11

PS/MWP = 45 bar (650 psig)
 PT = 65 bar (940 psig)

Adskillelse
 Disassembling
 Zerlegung
 Désassemblage
 Desmontaje

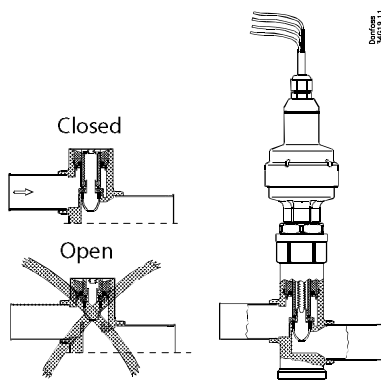


Danfoss
 34607.11

Danfoss
 34616.11

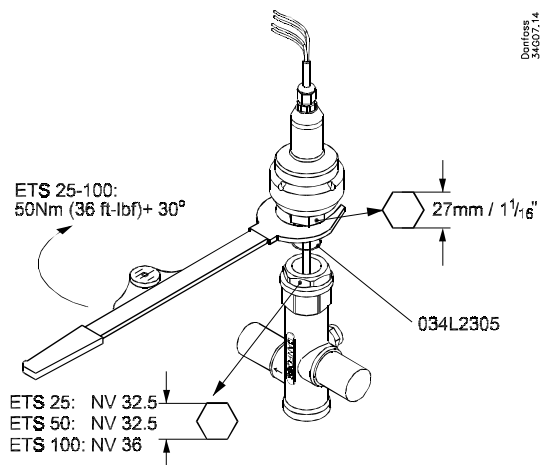


Samling
 Assembling
 Zusammenbau
 Assemblage
 Montaje



Danfoss
 34615.11

Danfoss
 34607.14



ETS 25: NV 32.5
 ETS 50: NV 32.5
 ETS 100: NV 36