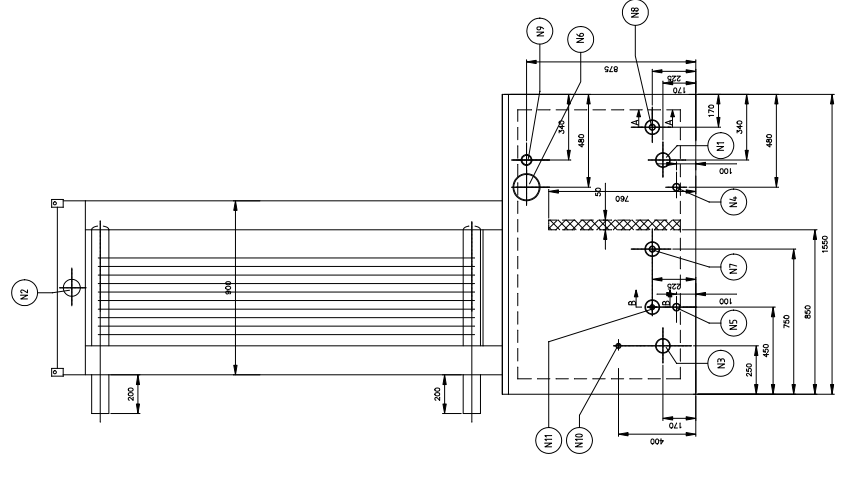
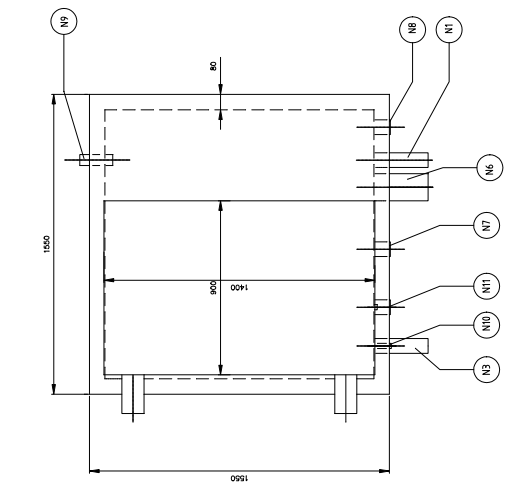
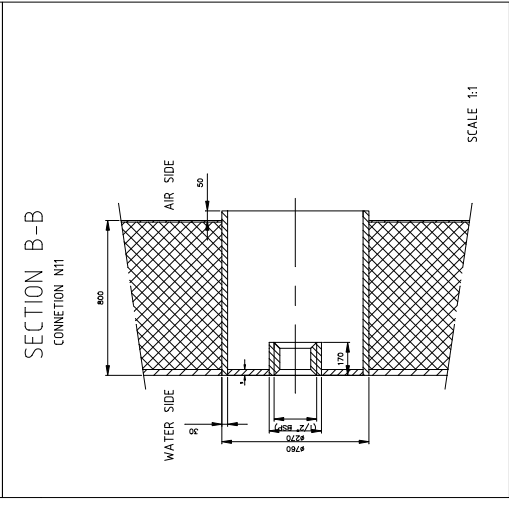
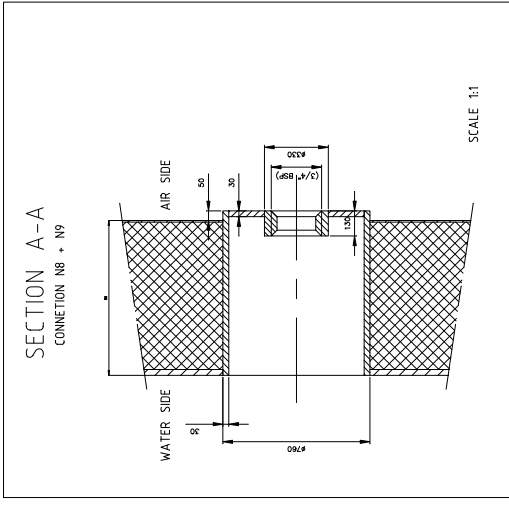


FOR INQUIRY



MARK	CONNECTION	DESCRIPTION	REMARKS
N15	DN80 488.9x3.2	WET SUCTION OUT	
N14	DN80 488.9x3.2	WET SUCTION OUT	
N13	DN80 488.9x3.2	LIQUID IN	
N12	DN80 488.9x3.2	LIQUID IN	
N11	1/2" BSP (FEN)	LIQUID IN	
N10	1/2" BSP (FEN)	LIQUID IN	
N9	1/2" BSP (FEN) L90.1	LIQUID IN	
N8	3/4" BSP (FEN) L90.2	LIQUID IN	
N7	3/4" BSP (FEN) L90.2	LIQUID IN	
N6	DN125 419.7x3	OVERFLOW (GRAN)	
N5	1" BSP (FEN) B90.3	GRAN	
N4	1" BSP (FEN) B90.3	GRAN	
N3	DN80 488.9x3.2	FROM P80.1	
N2	DN80 488.9x3.2	FROM P80.1	
N1	DN65 475.1x2.9	TO P90.1	

REMARKS:  
AMPHONIA DETECTION AND SAFETY REQUIREMENTS BY OTHERS

NOTE:  
FOR CODING LIST-FLOW-DIAGRAM SEE DRAWG.: 372951

DESIGN  
"PRESSURE CALCULATIONS"  
MAX. WORKING PRESSURE FALLING FILM: 17 Bar(g)  
TEST PRESSURE (1.1xMWP): 18.7Bar(g)

DATE	30/05/2024	NO.	024
REV. NO.	372951 (DUP. DRAWING)	REV. NO.	01
PROJECT	AMPHONIA	PROJECT	AMPHONIA
CLIENT	AMPHONIA	CLIENT	AMPHONIA
DESIGNER	AMPHONIA	DESIGNER	AMPHONIA
CHECKER	AMPHONIA	CHECKER	AMPHONIA
APPROVER	AMPHONIA	APPROVER	AMPHONIA
DATE	30/05/2024	NO.	024
REV. NO.	372951 (DUP. DRAWING)	REV. NO.	01
PROJECT	AMPHONIA	PROJECT	AMPHONIA
CLIENT	AMPHONIA	CLIENT	AMPHONIA
DESIGNER	AMPHONIA	DESIGNER	AMPHONIA
CHECKER	AMPHONIA	CHECKER	AMPHONIA
APPROVER	AMPHONIA	APPROVER	AMPHONIA