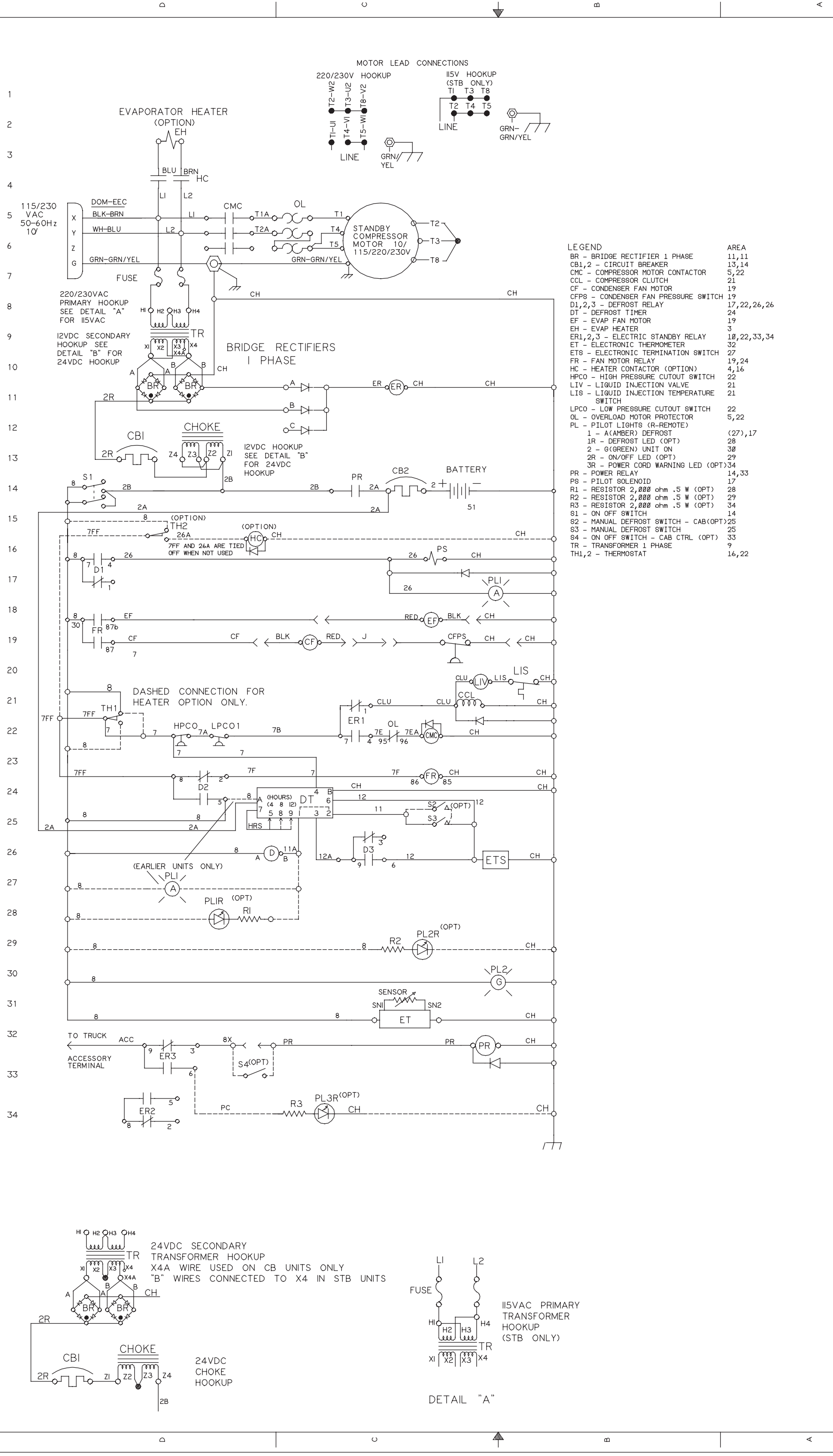
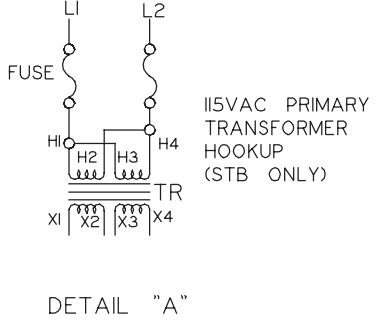
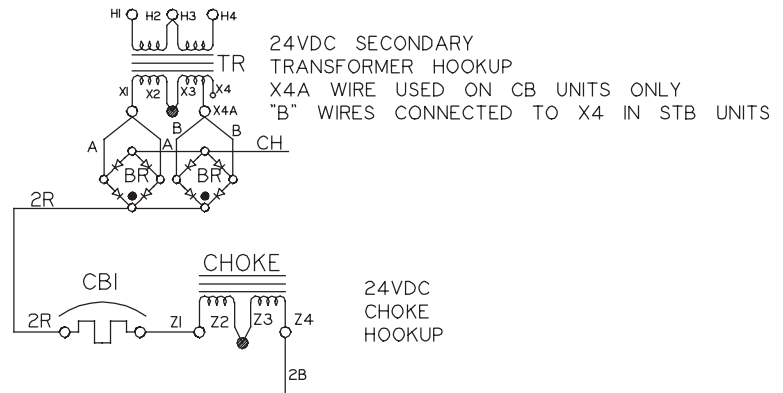


DATE	BY	CHKD	APP'D	THE PRINT DATE OF REVISION
2/2/89	ES			

FOR TOLERANCES NOT SPECIFIED SEE TKS09-109
 UNITS NOT ACCURATE OVER A CONTINUOUS LINE OF DIMENSIONS DESIGN DIMENSIONS ARE IN INCHES DIMETER EQUIVALENTS FINISH



- LEGEND**
- BR - BRIDGE RECTIFIER 1 PHASE 11,11
 - CB1,2 - CIRCUIT BREAKER 13,14
 - CMC - COMPRESSOR MOTOR CONTACTOR 5,22
 - CCL - COMPRESSOR CLUTCH 21
 - CF - CONDENSER FAN MOTOR 19
 - CFPS - CONDENSER FAN PRESSURE SWITCH 19
 - D1,2,3 - DEFROST RELAY 17,22,26,26
 - DT - DEFROST TIMER 24
 - EF - EVAP FAN MOTOR 19
 - EH - EVAP HEATER 3
 - ER1,2,3 - ELECTRIC STANDBY RELAY 10,22,33,34
 - ET - ELECTRONIC THERMOMETER 32
 - ETS - ELECTRONIC TERMINATION SWITCH 27
 - FR - FAN MOTOR RELAY 19,24
 - HC - HEATER CONTACTOR (OPTION) 4,16
 - HPCO - HIGH PRESSURE CUTOFF SWITCH 22
 - LIV - LIQUID INJECTION VALVE 21
 - LIS - LIQUID INJECTION TEMPERATURE SWITCH 21
 - LPCO - LOW PRESSURE CUTOFF SWITCH 22
 - OL - OVERLOAD MOTOR PROTECTOR 5,22
 - PL - PILOT LIGHTS (R-REMOTE) 17,17
 - 1 - A (AMBER) DEFROST (27),17
 - 1R - DEFROST LED (OPT) 28
 - 2 - G (GREEN) UNIT ON 30
 - 2R - ON/OFF LED (OPT) 29
 - 3R - POWER CORD WARNING LED (OPT) 34
 - PR - POWER RELAY 14,33
 - PS - PILOT SOLENOID 17
 - R1 - RESISTOR 2,000 ohm .5 W (OPT) 28
 - R2 - RESISTOR 2,000 ohm .5 W (OPT) 29
 - R3 - RESISTOR 2,000 ohm .5 W (OPT) 34
 - S1 - ON OFF SWITCH 14
 - S2 - MANUAL DEFROST SWITCH - CAB (OPT) 25
 - S3 - MANUAL DEFROST SWITCH 25
 - S4 - ON OFF SWITCH - CAB CTRL (OPT) 33
 - TR - TRANSFORMER 1 PHASE 9
 - TH1,2 - THERMOSTAT 16,22



REVISIONS
 47288 11/17/88 ES B
 47288 11/17/88 ES B
 47288 11/17/88 ES B