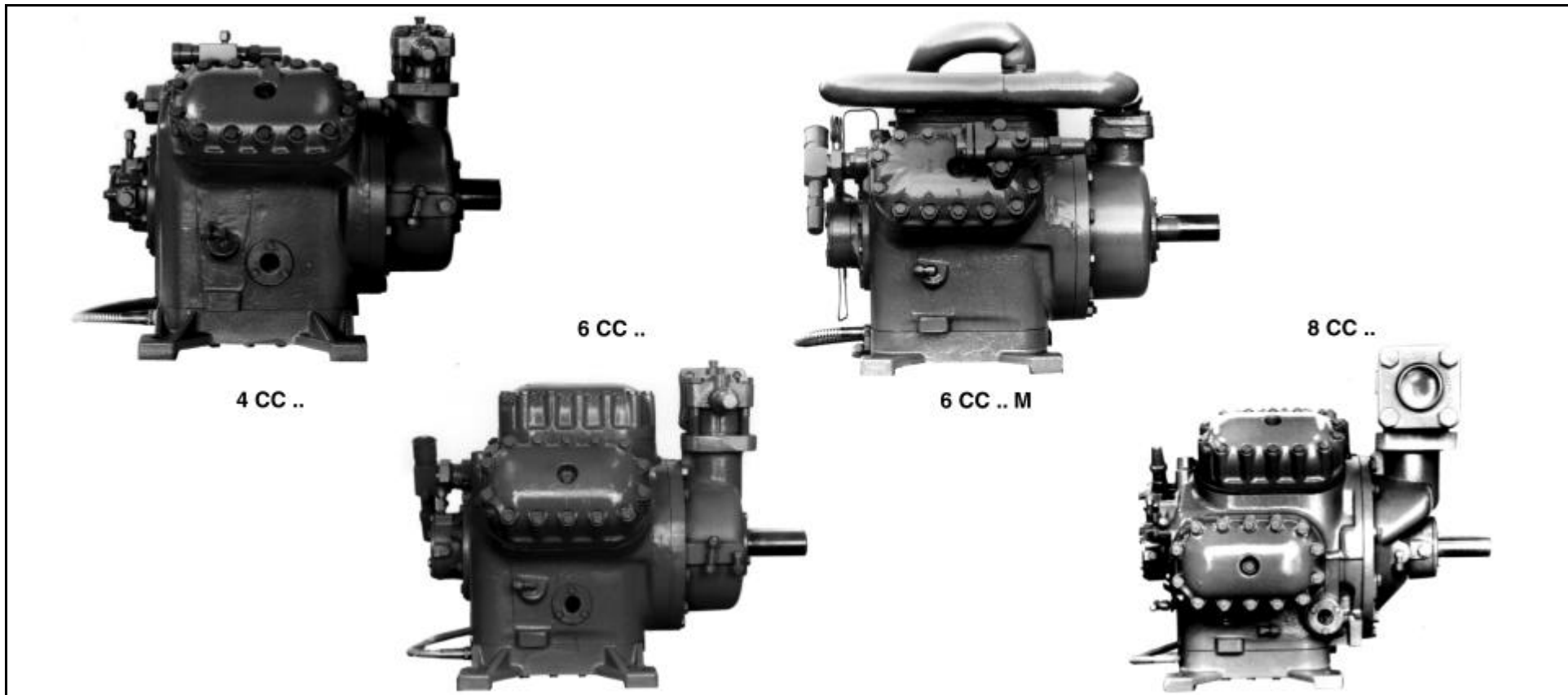

DWM COPELAND

Spare Parts List for
Open Compressors

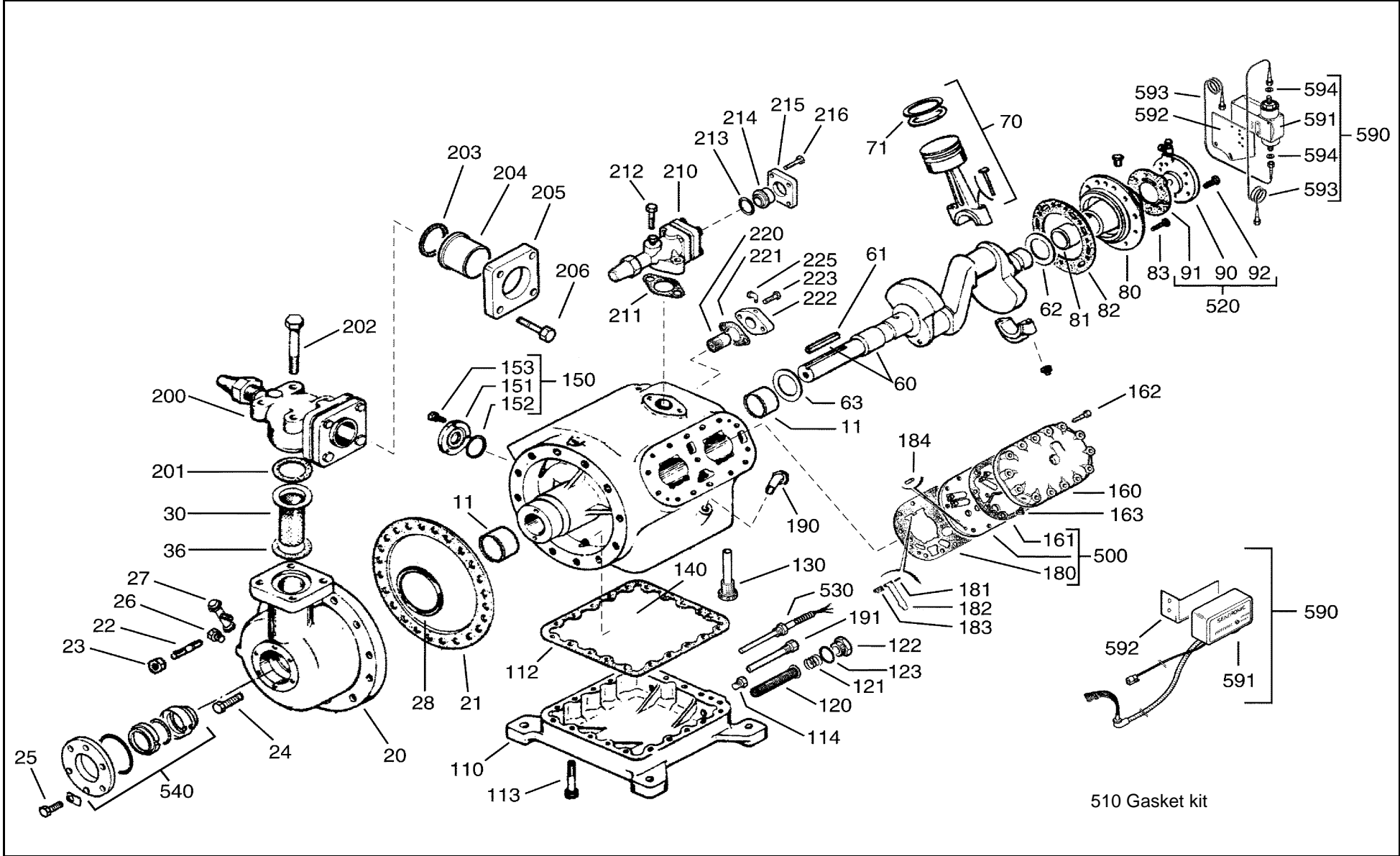
4CC, 6CC, 8CC



08/99

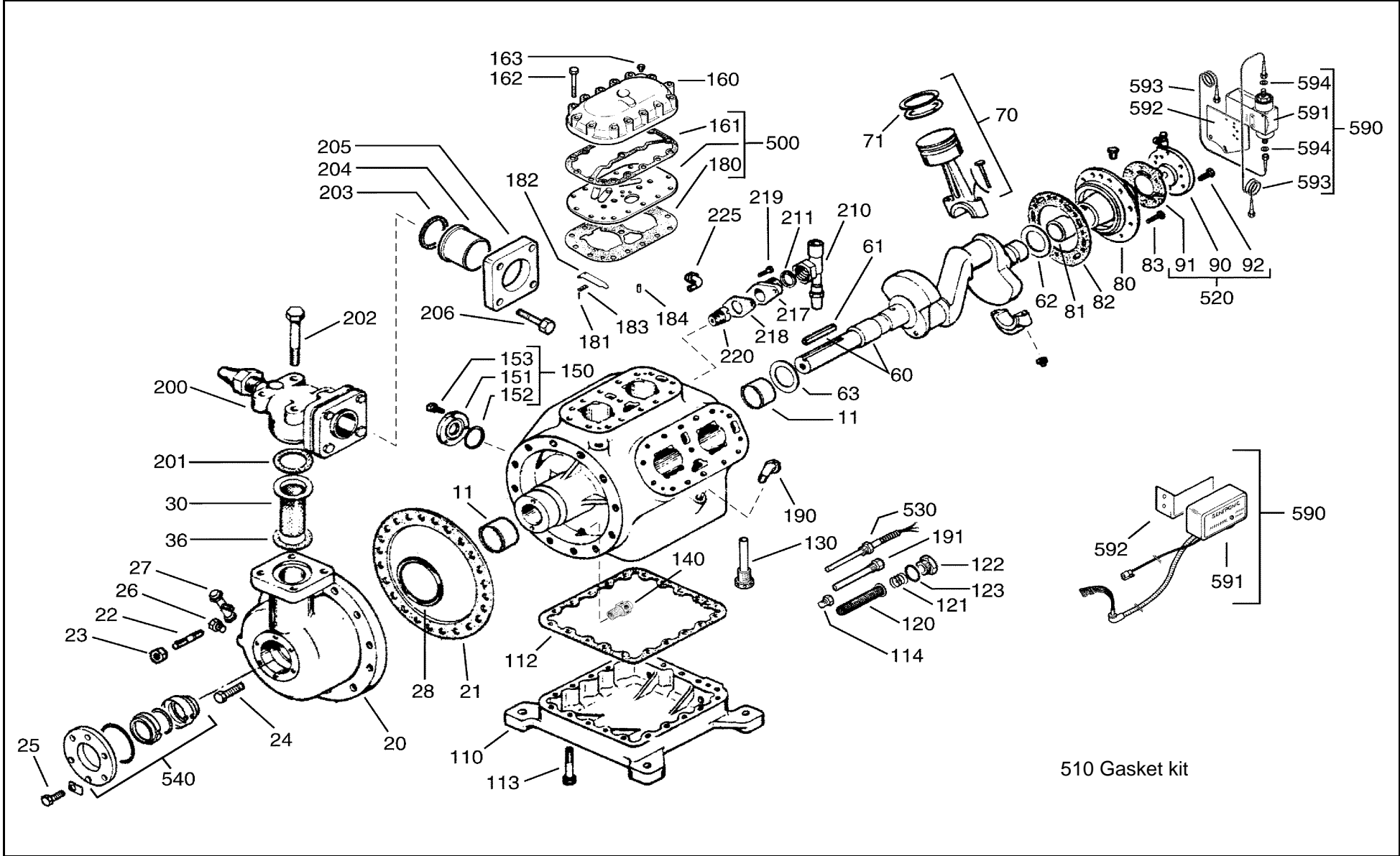
Exploded View of an Open Compressor

4CC



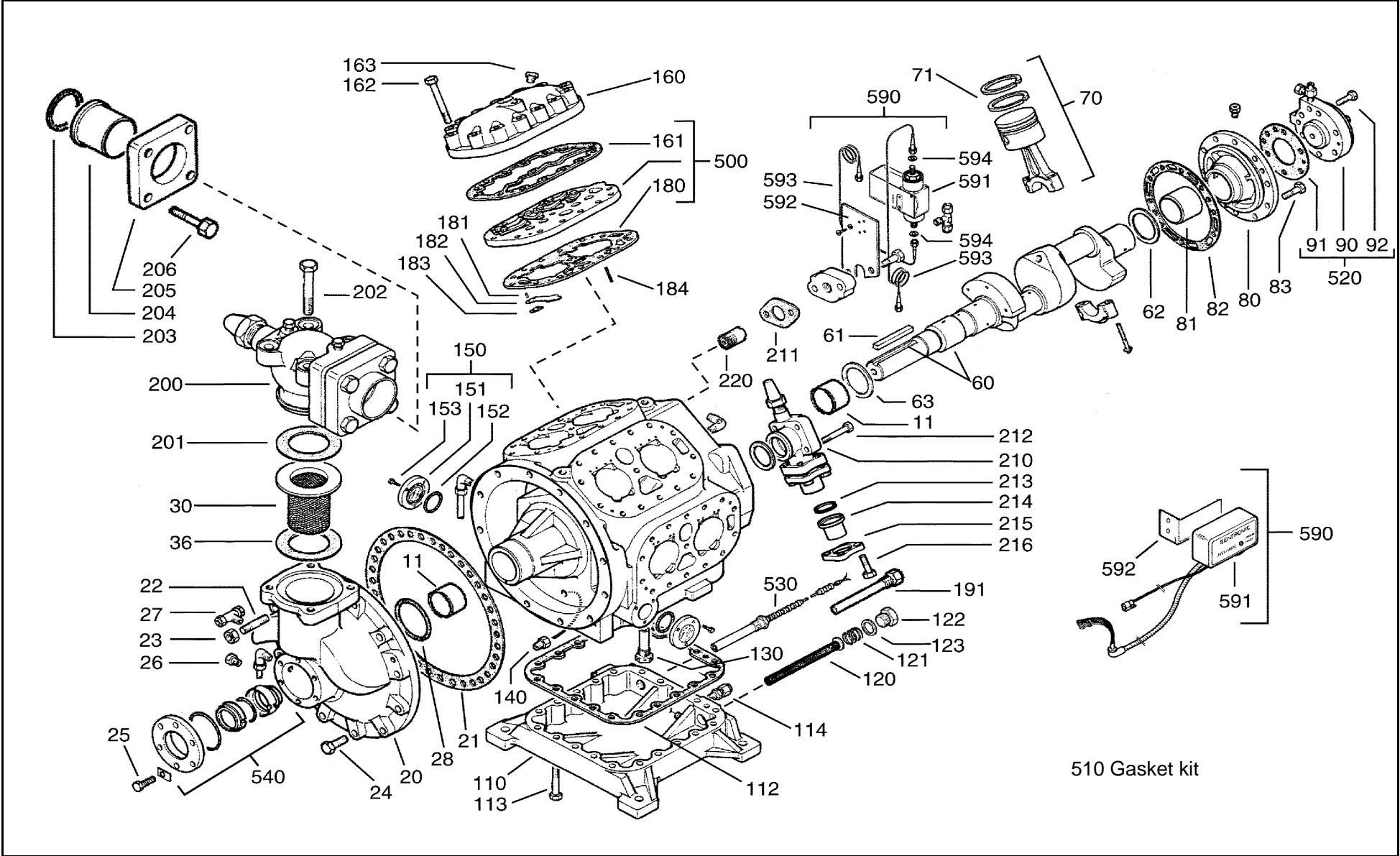
Exploded View of an Open Compressor

6CC



Exploded View of an Open Compressor

8CC



Exploded View of Accessories of Open Compressors -CC-

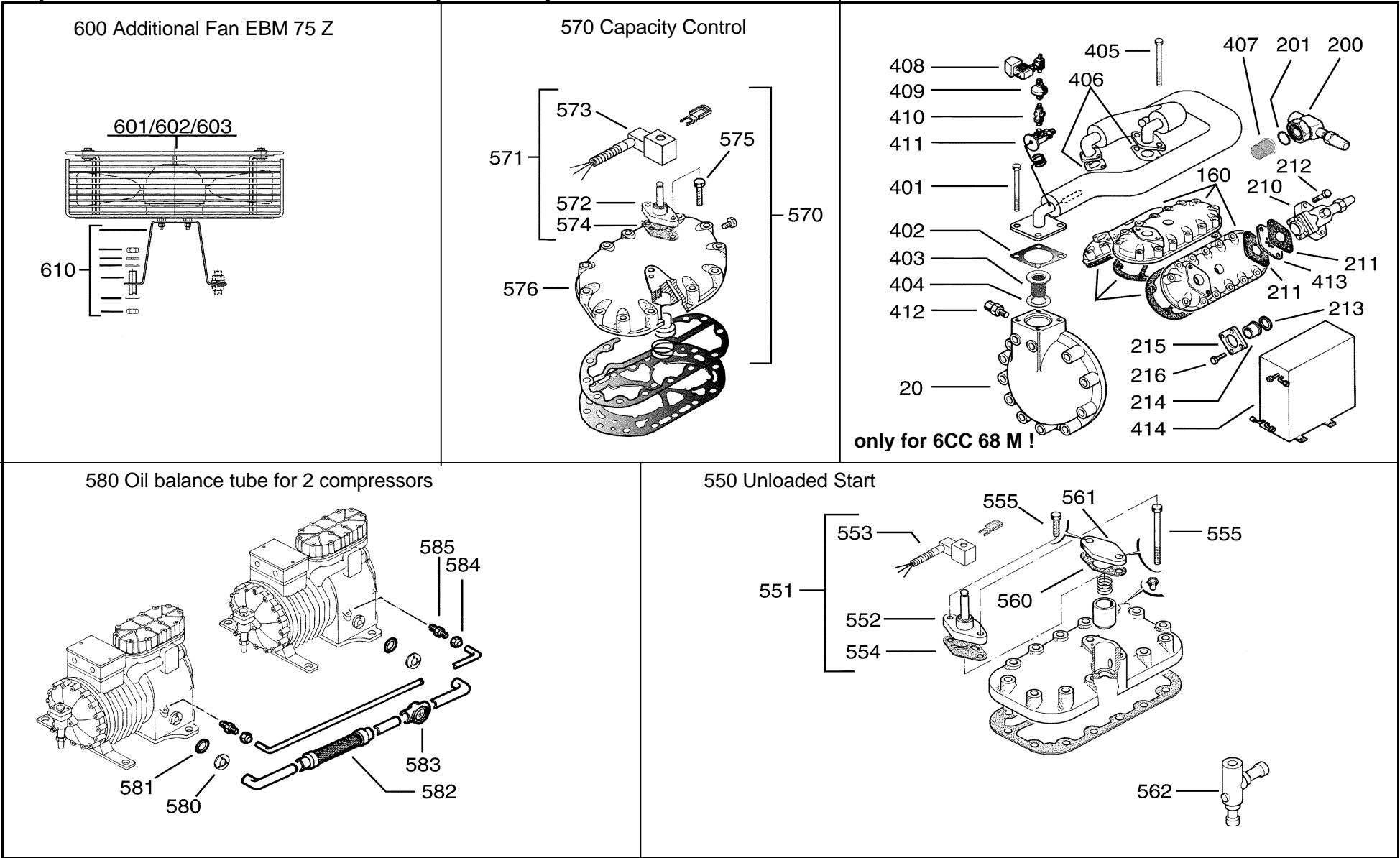


Diagram No.	Description	Part No.	Compressors marked with an "E" in the model name, e.g. 6CC 68 E, are charged with ester oil and have the same parts as the standard-compressors, with exception of the shaft sealing.															
			4 CC 63	4 CC 63 L	4 CC 68	4 CC 68 L	4 CC 75	4 CC 75 L	6 CC 68	6 CC 68 L	6 CC 75	6 CC 75 L	6 CC 68 M	8 CC 68	8 CC 68 L	8 CC 75	8 CC 75 L	
11	Bearing for body	2049676	2	2														
11	Bearing for body	2938910											2	2	2	2		
20	Suction chamber	7002483	1	1	1	1			1	1								
20	Suction chamber	7002472					1	1			1	1						
20	Suction chamber	7002494											1	1	1	1		
21	Gasket for suction chamber	6602697	1	1	1	1	1	1	1	1	1	1						
21	Gasket for suction chamber	2880771											1	1	1	1		
22	Stud 1/2"-13 UNC	7011505	2	2	2	2	2	2	2	2	2	2	2	2	2	2	2	
23	Hexagon nut 1/2"-13 UNC	3060765	2	2	2	2	2	2	2	2	2	2	2	2	2	2	2	
24	Hexagon head cap screw 1/2"-13 UNC x 1 1/2"	2040942	8	8	8	8	8	8	8	8	8	8	10	10	10	10		
25	Hexagon head cap screw 5/16"-18 UNC x 7/8"	2040613	6	6	6	6	6	6	6	6	6	6	6	6	6	6		
26	Plug 1/4"-18 NPTF	2045685	1	1	1	1	1	1	1	1	1	1	1	1	1	1	1	
27	Plug ND 1/4"-18 NPTF x 1/4"	7013647	1	1	1	1	1	1	1	1	1	1	1	1	1	1	1	
28	Gasket, O-ring	7022996	1	1	1	1	1	1	1	1	1	1						
28	Gasket, O-ring	7023002											1	1	1	1		
30	Suction screen	2048673	1	1									1					
30	Suction screen	7035930			1	1	1	1	1	1	1							
30	Suction screen	7035941											1	1	1	1		
36	Gasket for suction screen	2880851	1	1														
36	Gasket for suction screen	2880862			1	1	1	1	1	1	1	1						
36	Gasket for suction screen	2880873											1	1	1	1		
60	Crankshaft with key	7058920	1	1														
60	Crankshaft with key	7058931			1	1	1	1										
60	Crankshaft with key	7058942							1	1	1	1	1					
60	Crankshaft with key	7067542											1	1	1	1		
61	Key for crankshaft	7007137	1	1	1	1	1	1										
61	Key for crankshaft	7007148							1	1	1	1	1	1	1	1		
62	Adjusting washer, kit	7058884	1	1	1	1	1	1	1	1	1	1						
62	Adjusting washer, kit	7065966											1	1	1	1		
63	Washer	2858556	1	1	1	1	1	1	1	1	1	1						
63	Washer	2917631											1	1	1	1		
70	Connecting rod, piston, complete	2833888	4	4														
70	Connecting rod, piston, complete	2833899			4	4			6	6			6					
70	Connecting rod, piston, complete	2833902					4	4			6	6						
70	Connecting rod, piston, complete	2831393											8	8				
70	Connecting rod, piston, complete	2831382													8	8		

Diagram No.	Description	Part No.	Compressors marked with an "E" in the model name, e.g. 6CC 68 E, are charged with ester oil and have the same parts as the standard-compressors, with exception of the shaft sealing.															
			4 CC 63	4 CC 63 L	4 CC 68	4 CC 68 L	4 CC 75	4 CC 75 L	6 CC 68	6 CC 68 L	6 CC 75	6 CC 75 L	6 CC 68 M	8 CC 68	8 CC 68 L	8 CC 75	8 CC 75 L	
211	Gasket for discharge shut-off valve	2880851																
212	Hexagon head cap screw 1/2"-13 UNC x 1 1/2"	2040942	2	2	2	2							1	1				
212	Hexagon head cap screw 1/2"-13 UNC x 1 3/4" (1 piece)	2040635					2	2				2						
212	Hexagon head cap screw 1/2"-13 UNC x 3 1/4" (1 piece)	3098013											4	4	4	4		
213	Gasket for pipe socket	2880884					1	1				1						
213	Gasket for pipe socket	2880895											1	1	1	1		
213	Gasket for pipe socket Nobis	2881467											1	1	1	1		
214	Pipe socket 1 3/8"	2048060					1	1				1						
214	Pipe socket 1 5/8"/42 mm	2938829											1	1	1	1		
214	Pipe socket 1 5/8"/42 mm Nobis	2938830											1	1	1	1		
215	Flange	2045152					1	1				1						
215	Flange	2050078											1	1	1	1		
216	Hexagon head cap screw 5/16"-18 UNC x 1 1/8" Henry (1 piece) until Feb. 1995	2040726					4	4				4						
216	Hexagon head cap screw M 8 x 35 Henry (1 piece) from March 1995	3106009					4	4				4						
216	Hexagon head cap screw M 8 x 30 Nobis (1 piece)	2728926					4	4				4						
216	Hexagon head cap screw 1/2"-13 UNC x 1 3/4" Henry (1 piece) until Feb. 1995	2040635											4	4	4	4		
216	Hexagon head cap screw M 12 x 45 Henry (1 piece) from March 1995	3104912											4	4	4	4		
216	Hexagon head cap screw M 12 x 45 Nobis (1 piece)	3104912											4	4	4	4		
	Valve cap	2829909	1	1	1	1												
	Valve cap Henry	2730274					1	1	1	1	1	1						
	Valve cap Nobis	2943676					1	1	1	1	1	1						
	Valve cap Henry	2730274											1	1	1	1		
	Valve cap Nobis	2943687											1	1	1	1		
217	Mounting adapter for Rotalock valve	2050749										1	1	1	1	1		
218	Gasket for mounting adapter Rotalock valve	2880908										1	1	1	1	1		
219	Hexagon head cap screw 1/2"-13 UNC x 1 3/4" (1 piece)	2040635										2	2	2	2	2		
220	Relief valve	3086072	1	1	1	1	1	1	1	1	1		1	1	1	1		
220	Relief valve	2871739											1					
221	Gasket for blind flange	2829114	1	1	1	1	1	1					1	1	1	1		
222	Blind flange	2050283	1	1	1	1	1	1					1	1	1	1		
223	Hexagon head cap screw 1/2"-13 UNC x 1 1/2"	2040942	2	2	2	2	2	2					2	2	2	2		
225	Fitting elbow 1/8"-27 NPTF/1/4" SAE 90	7013589	1	1	1	1	1	1					1	1	1	1		

Diagram No.	Description	Part No.	Compressors marked with an "E" in the model name, e.g. 6CC 68 E, are charged with ester oil and have the same parts as the standard-compressors, with exception of the shaft sealing.															
			4 CC 63	4 CC 63 L	4 CC 68	4 CC 68 L	4 CC 75	4 CC 75 L	6 CC 68	6 CC 68 L	6 CC 75	6 CC 75 L	6 CC 68 M	8 CC 68	8 CC 68 L	8 CC 75	8 CC 75 L	
400	Manifold	7014651																
401	Hexagon head cap screw 1/2"-13 UNC x 1 1/4" (1 piece)	3058064																
402	Gasket for manifold, 4-hole-flange	2881150																
403	Suction screen, interstage pressure	2048673																
404	Washer for suction screen, interstage pressure	7010944																
405	Hexagon head cap screw 1/2"-13 UNC x 1 1/2"	2040942																
406	Gasket for manifold 2-hole-flange (1 piece)	2963043																
407	Suction screen, L.P.	2051106																
408	Solenoid valve 230 V, 50/60 Hz ALCO CONTROLS	2998712																
409	Filter	2051015																
410	Sight glass	2506844																
411	Expansion valve Sporlan NIV-3-Z 37 PSIG	2051004																
412	Schrader-valve	2051117																
413	Muffler plate	2489510																
414	Subcooler	2512898																
500	Valve plate assy	3805760	2															
500	Valve plate assy	3805759		2														
500	Valve plate assy	3805782			2			3					4					
500	Valve plate assy	3805771				2			3					4				
500	Valve plate assy	3805806					2			3					4			
500	Valve plate assy	3805793						2			3					4		
500	Valve plate assy	3092560										3						
510	Gasket kit	7019963	1	1														
510	Gasket kit	7020025			1	1												
510	Gasket kit	7020069					1	1										
510	Gasket kit	7020047							1	1			1					
510	Gasket kit	7020081								1	1							
510	Gasket kit	7064521											1	1				
510	Gasket kit	7064532														1	1	
520	Oil pump assy	2834778	1	1	1	1	1	1	1	1	1	1	1	1	1	1	1	
	Gasket, O-ring for oil pump CONCENTRIC	2830754	1	1	1	1	1	1	1	1	1	1	1	1	1	1	1	
	Gasket, O-ring for oil pump IOPS, SENTRONIC	2947601	1	1	1	1	1	1	1	1	1	1	1	1	1	1	1	
530	Crankcase heater, internal 100 W, 115 V	4582584	1	1	1	1	1	1	1	1	1	1	1	1	1	1	1	
530	Crankcase heater, internal 100 W, 230 V	6610169	1	1	1	1	1	1	1	1	1	1	1	1	1	1	1	
530	Crankcase heater, internal 100 W, 480 V	2834358	1	1	1	1	1	1	1	1	1	1	1	1	1	1	1	
	Heat transfer paste to mount the heater into the sleeve	2942537	1	1	1	1	1	1	1	1	1	1	1	1	1	1	1	

