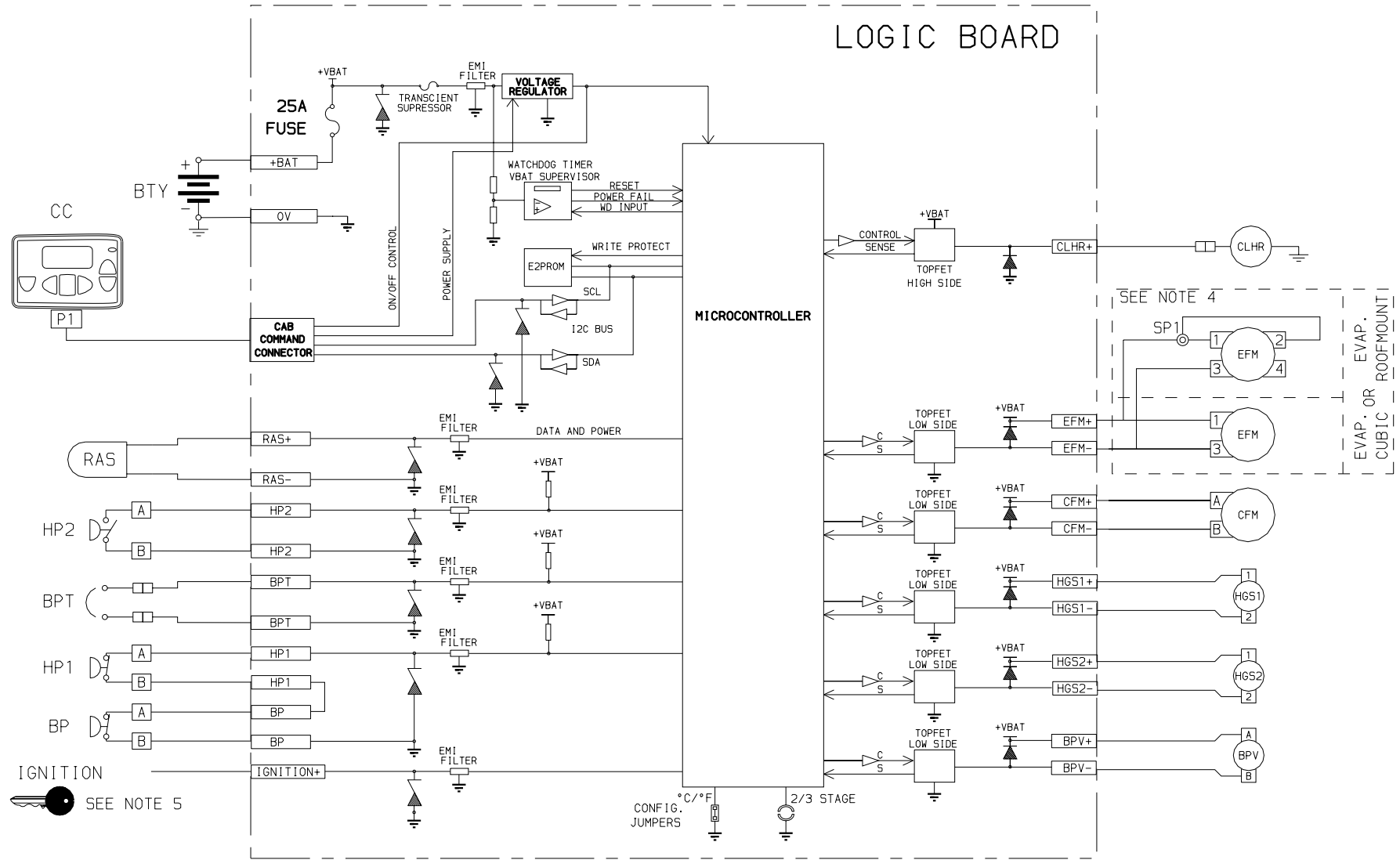


LOCATION	SYMBOL	DESCRIPTION	LOCATION IN FRAME
B-9	BP	LOW PRESSURE SWITCH	EVAPORATOR
B-8	BPT	INJECTION KLIXON	ROAD COMPRESSOR
P-9	BPV	INJECTION VALVE SOLENOID	EVAPORATOR
A-5	CC	CAB COMMAND	CAB
P-7	CFM	CONDENSER FAN MOTOR	CONDENSER
P-4	CLHR	ROAD ELECTROMAGNETIC CLUTCH	ENGINE COMPARTMENT
P-5/P-6	EFM	EVAPORATOR FAN MOTOR	EVAPORATOR
D-3	FUSE	GENERAL FUSE 25 AMPS	LOGIC BOARD
B-9	HP1	SECURITY SWITCH PRESSURE	CONDENSER
B-7	HP2	REGULATION PRESSURE SWITCH FOR FAN CONDENSER	CONDENSER
P-8	HGS1	HOT GAZ SOLENOID DEFROST	CONDENSER
P-9	HGS2	HOT GAZ SOLENOID HEATING	CONDENSER
B-7	RAS	RETURN AIR SENSOR	EVAPORATOR



**UNIT CONFIGURATION**

OPTIONS	UNIT CONFIGURATION					
	NONE	X				
HOT GAZ		X		X	X	X
INJECTION			X	X		X
HOT GAZ HEATING					X	X

INPUTS	BP	YES	YES	YES	YES	YES	YES
	BPT			YES	YES		YES
	HP1	YES	YES	YES	YES	YES	YES
	HP2					YES	YES
	RAS	YES	YES	YES	YES	YES	YES
	IGNITION	SEE NOTE 5		YES	YES	YES	YES

OUTPUTS	BPV			YES	YES		YES
	CFM	YES	YES	YES	YES	YES	YES
	CLHR	YES	YES	YES	YES	YES	YES
	EFM	YES	YES	YES	YES	YES	YES
	HGS1		YES		YES	YES	YES
	HGS2					YES	YES

- NOTES :**
- UNIT SHOWN "OFF" POSITION.
  - WIRE IDENTIFICATION SYSTEM:  
 COLOR: WHITE - DC CONTROL CIRCUITS FOR WIRE  
 GREEN - DC GROUNDS FOR WIRE  
 BLUE - DC CONTROL CIRCUITS FOR CABLE  
 BLACK - DC GROUNDS FOR CABLE  
 RED - DC BATTERY CIRCUITS  
 BLACK - DC BATTERY GROUNDS
  - ADDRESS SYSTEM: EXAMPLE: MP-43/C8-A  
 INDICATES A WIRE BETWEEN MICROPROCESSOR MP (PIN 43) AND PLUG C8 (PIN A).
  - ACCORDING TO EVAPORATOR CONFIGURATION
  - THE INPUT IGNITION+ MUST BE CONNECTED TO THE +12VDC VOLTAGE. IF THE SWITCH KEY FUNCTION IS NOT USED, CONNECT THIS INPUT ON THE +BAT TERMINAL.

- ⊙ INDICATES A SOLDERED SPLICE POINT.
- Ⓜ PIN CONNECTION.
- LIGHT LINES INDICATES WIRES IN THE SYSTEM.
- ⌞ NORMALLY CLOSED CONTACTS.
- ⌞ NORMALLY OPEN CONTACTS.
- Ⓜ-F2 MULTIPLE PLUG CONNECTION NUMBER.
- Ⓜ-JUNCTION BLOCK CONNECTION
- Ⓜ SWITCH SYMBOL INDICATES MOMENTARY CONTACTS.
- Ⓜ INDICATES A WIRE GROUND.
- Ⓜ INDICATES A CHASSIS GROUND (NO WIRE).
- Ⓜ INDICATES STANDARD OPTIONS.
- Ⓜ INDICATES A CONNECTION, WIRE, LUG, ETC.
- Ⓜ INSULATING PLUG
- Ⓜ COMPONENT CONNECTION NUMBER OR LETTER.

**STANDARD**

**OPTION** HOT GAZ, INJECTION, HOT GAZ + INJECTION, HOT GAZ + HEATING, HOT GAZ+HEATING+INJECTION

DATE : 18/09/00 N : 62-60829 REV:A SH:1/1