

Replacement Parts List No. 057118000

Revision P 06/11

Air Cooled Global Chiller Reciprocating Compressor

AGR

Sizes: 055-100

60 Hertz

Vintage: A

McQuay[®]
International
a member of **DAIKIN** group

To find your McQuay parts distributor, call 1-800-377-2787 or visit www.mcquay.com

Index

Page(s)	Heading	Description
2, 3	Index	
4	Revision History	Parts List Revisions
5, 6	Nomenclature	Unit Serial Number and Unit Model Number Definitions
7- 12	Compressors	
7	Unit Compressors	208V
8	Unit Compressors	230V
9	Unit Compressors	460V
10	Unit Compressors	575V
11	Diagram	Compressor Common Parts
12	Components	Unloader Valves, Oil Pressure Control, High Pressure Control, Shr ader
13- 29	Power Panel	
13	Diagrams	Panel Layout, Latches, Catches and Hinges
14	Components- All Sizes	Latches, Catches, Hinges, Ground Screw, Unit % Amp Draw, Ground Fault
15	Components- 055- 070	Speedtrol Transformer, Phase Voltage Monitor, Fan Contactors and Fuses, Control Transformer and Fuses, Part Winding TD
16	Components- 075- 100	Speedtrol Transformer, Phase Voltage Monitor, Fan Contactors and Fuses, Control Transformer and Fuses, Part Winding TD
17	Components- AGR055	Contactors, Circuit Breakers, Power Block, Disconnect, Power Hub
18	Components- AGR060	Contactors, Circuit Breakers, Power Block, Disconnect, Power Hub
19	Components- AGR065	Contactors, Circuit Breakers, Power Block, Disconnect, Power Hub
20, 21	Components- AGR070	Contactors, Circuit Breakers, Power Block, Disconnect, Power Hub
22, 23	Components- AGR075	Contactors, Circuit Breakers, Power Block, Disconnect, Power Hub
24, 25	Components- AGR080	Contactors, Circuit Breakers, Power Block, Disconnect, Power Hub
26	Components- AGR085	Contactors, Circuit Breakers, Power Block, Disconnect, Power Hub
27	Components- AGR090	Contactors, Circuit Breakers, Power Block, Disconnect, Power Hub
28	Components- AGR095	Contactors, Circuit Breakers, Power Block, Disconnect, Power Hub
29	Components- AGR100	Contactors, Circuit Breakers, Power Block, Disconnect, Power Hub
30- 36	Control Panel- UNT Controls (C11= J**)	
30	Diagram	UNT Control Panel- Left Side
31	Components	UNT Control Panel- Left Side
32	Diagram	UNT Control Panel- Right Side
33	Components	UNT Control Panel- Right Side
34	Zone Terminal Display	All Sizes- Diagram and Components
35	Diagrams	Unit Sensors, L.L. Solderoid Valve Junction Box, Pressure Controls
36	Components	Unit Sensors, L.L. Solderoid Valve Junction Box, Pressure Controls
37- 43	Control Panel- MicroTech Controls (C11= M**)	
37	Diagram	MicroTech Control Panel- Left Side
38	Components	MicroTech Control Panel- Left Side
39	Diagram	MicroTech Control Panel- Right Side
40	Components	MicroTech Control Panel- Right Side
41	Keypad Display	All Sizes- Diagram and Components
42	Diagrams	Unit Sensors, L.L. Solderoid Valve Junction Box, Pressure Controls
43	Components	Unit Sensors, L.L. Solderoid Valve Junction Box, Pressure Controls
44	Speedtrol Components, Convenience Outlet Components, Gauges	
44	Components & Diagram	All Sizes

Index

Continued

45- 51	Condenser Components	
45	Diagrams	AGR055A- 060A
46	Diagrams	AGR065A- 100A
47	Components	Condenser Fan Deck
48	Components	Condenser Fan Motors
49	Components	Sheet Metal & Hardware: AGR055A- 070A
50	Components	Sheet Metal & Hardware: AGR075A- 100A
51	Components	Condenser Coils
52- 58	Cabinet	
52	Diagram	Panels, Control/Power Doors, Hardware
53	Components	Panels, Control/Power Doors, Hardware
54	Diagram	Coil Guards, Base Frame Guards, Hardware
55- 58	Components	Coil Guards, Base Frame Guards, Hardware
59- 64	Piping Components	
59	Diagrams	Suction, Discharge and Liquid Lines
60	Components	AGR055, 060A
61	Components	AGR065, 070A
62	Components	AGR075A
63	Components	AGR080A
64	Components	AGR085, 090, 095, 100A
65	Evaporator	
65	Diagrams & Components	All Sizes
66	Vibration Isolators	All Sizes
66	Flow Switch	Field Installed Accessory
66	Alarm Bell Kit	Field Installed Accessory

Parts List Revision History

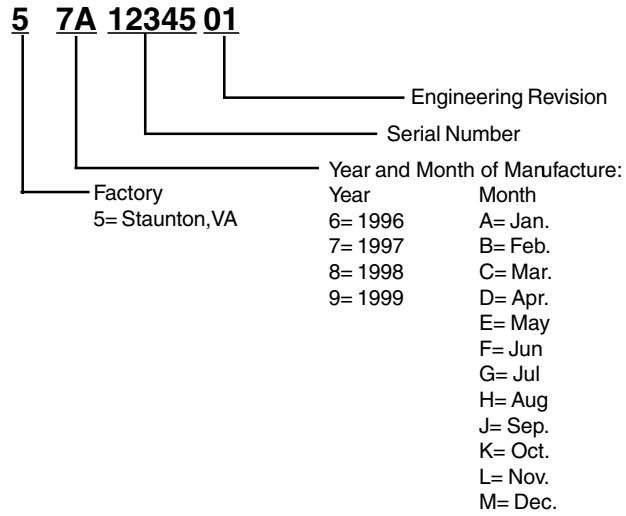
Revision	Date	Description
NEW	12/97	New
A	9/98	Change made to Page 48: Corrected part numbers for size 070A and 075-100A Totally-Enclosed 2.0 hp Motors.
B	5/01	Page 33 - Added Relay/Base Socket part #074805901. Page 34 - Removed Zone Terminal Display Only part #074805501. Page 36 - Part #047609001 was corrected to read #074609001.
C	10/01	Pages 36 & 43-Bub #830 pn was changed from 735026315 to 735048015.
D	12/01	Page 15 - Bub 661A (460V AGR055/065 & AGR070) pn 042763120 was changed to 042753120.
E	10/02	Page 47 - Bub #708; Fan Prop 28", 1.5 HP part number 072941301 was incorrect, the correct number is 072941302.
F	10/2004	Pages 7 thru 10 - Removed Copeland Compressor information.
G	4/2005	Page 65 - Added note (**) to 'Components' table about replacing the evaporator.
H	10/2005	Page 44 - Bub #2 start Capacitor pn 028765100 was changed to 330577701. Page 51 - Description of bub #6 on all tables changed from LH to RH. Description of bub #7 on all tables changed from RH to LH.
J	05/06	Pages 45 & 46 - Control box diagram heading has word 'opposite' added. Added notes/info on discharge header connection, bubbles #6 & 7 were switched and bubbles #8 & 9 were switched. Page 51 - Added- Note: The coil hand (left or right) is based on the discharge header connection point.
K	8/06	Page 9 - Compressor 2, 6 Step(08 = 5) was changed to (08 = 6).
L	12/08	Page 65 - Add Heater p/n 735079719 to model #s E1204D1, E1204D2, E1255D1 and E1455D1.
M	5/09	Page 48 - Ref 701 change Motors-AGR 045-065A p/n from 072941302 to 046744200.
N	10/09	Updated the Cover and Revision pages with current logo design. Page 36- Changed the quantity of Ref # 751 p/n 073074003 from 1 pcd to 2pc. Page 37- Changed the fourth MHPR from the left (Ref Bub 260) from MHPR1 to MHPR2.
P	06/11	Page 38 - Correct MT Controller part number to 065487306 (was 065487311).



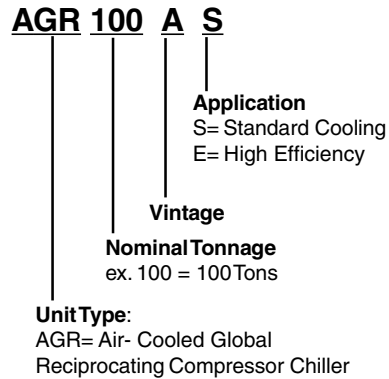
13600 Industrial Park Blvd., P.O. Box 1551, Minneapolis, MN 55440 (763) 553-5330

Nomenclature

Serial Number



Unit Model Number



Nomenclature

Continued

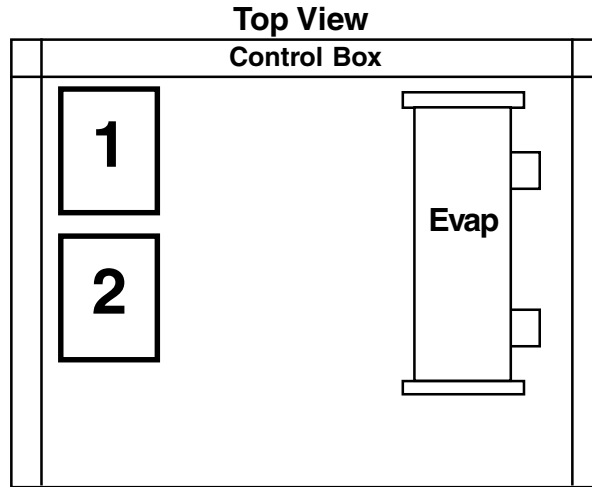
Unit Model Number- Complete

AGR*A S 27 AL P C 04 2 A JYY D C R F S 11 1 B B E 1 EYA**
 Code 03 04 05 06 07 08 09 10 11 12 13 14 17 18 19 20 22 23 24 25 26

- | | |
|--|---|
| <p>03 Application
S= Standard Cooling</p> <p>04 Voltage
12= 208/60/3
27= 460/60/3
29= 230/60/3
37= 575/60/3</p> <p>05 Starting Option
AL= Across-The-Line
PW= Part Winding</p> <p>06 Power Connection
P= Single Point Power Block
D= Non-Fused Disconnect (Unit Mounted)</p> <p>07 Compressor Short Circuit Protection
Y= None
C= Circuit Breakers</p> <p>08 Capacity Control
04= 4 Steps Capacity Control
06= 6 Steps Capacity Control</p> <p>09 Hot Gas Bypass
Y= None
2= HGBP Circuits 1 & 2</p> <p>10 Control Circuit Transformer
Y= None
A= Control Circuit Transformer</p> <p>11 Control Thermostat Options
J** = UNT Johnson Controls
J*D = UNT w/ Zone Terminal Display
M** = MicroTech Controls</p> <p>12 Phase Failure, Reversal
D= Phase Failure, Reversal with Under/Over Voltage and LED Lights
V= Phase Failure, Reversal with Under/Over Voltage
Y= Not Required</p> <p>13 Miscellaneous Options
Y= Not Required
C= 115V Convenience Outlet
G= Ground Fault</p> <p>14 Replaceable Core Filter Drier
Y= None
R= Replaceable Core Filter Driers</p> | <p>17 Protective Guard
Y= Not Required
A= Base Frame Guard around Entire Unit
F= Vertical Condenser Coil Fin Guard and Option "A"
G= Vertical Condenser Coil Fin Guard Only</p> <p>18 Head Pressure Control
F= FanTrol w/ Low Ambient T-Stat
S= SpeedTrol w/ Low Ambient Start</p> <p>19 Condenser Coil Fin Material
11= Aluminum
21= Copper
31= Aluminum w/ Baked Phenolic Coat
41= Copper w/ Baked Phenolic Coat</p> <p>20 Condenser Fan Motors
1= Open Drip-Proof
2= Totally Enclosed
(SpeedTrol Motors are ALWAYS ODP)</p> <p>22 High Return Water/High Ambient Unload
Y= Not Required
R= High Water Return Unloader
A= High Ambient Unloader
B= Both R & A</p> <p>23 Gauges
Y= None
A= Suction, Discharge, Oil Gauge- Ckts 1 & 2</p> <p>24 & 25 Approval Listing and Packaging Options</p> <p>26 Sensor Options
UNT (example: EYA)
E**= English Units
M**= Metric Units
Y= Modem (Not Available)
**A= Outside Air Temp
**E= Entering Water Temp.
**U= Limited UNT Sensor P package
MicroTech (example: EMR)
E**= English Units
M**= Metric Units
Y= No Modem
M= Modem
**R= Standard Package
**B= Refrigerant Temp. Package
**D= % of Unit Amp. Draw Package
**C= "R" + "B" + "D"</p> |
|--|---|

Compressors

Compressor Arrangements



Compressor Part Numbers

208/60/3 (04= 12), Across-the-Line (C05= AL) or Part Winding (C05= PW)

Unit Model No.	Compressor 1 4 Step (08=4)	Compressor 1 6 Step (08=4)	Compressor 2 4 Step (08=4)	Compressor 2 6 Step (08=6)
055	071846201	071838301	071846201	071838301
060	071846201	071838301	071846701	071846801
065	071846701	071846801	071846701	071846801
070	071846701	071846801	071835901	071838001
075	071835901	071838001	071835901	071838001
080	071835901	071838001	074554901	074554901
085	074554901	074554901	074554901	074554901
090	074554901	074554901	074554901	074554901
095	074554901	074554901	074556901	074556901
100	074556901	074556901	074556901	074556901

Compressors

Continued

Compressor Part Numbers

230/60/3 (04= 29), Across-the-Line (C05= AL) or Part Winding (C05= PW)

Unit Model No.	Compressor 1 4 Step (08=4)	Compressor 1 6 Step (08=4)	Compressor 2 4 Step (08=4)	Compressor 2 6 Step (08=6)
055	071846201	071838301	071846201	071838301
060	071846201	071838301	071835401	071836801
065	071835401	071836801	071835401	071836801
070	071835401	071836801	071835701	071837601
075	071835701	071837601	071835701	071837601
080	071835701	071837601	074554901	074554901
085	074554901	074554901	074554901	074554901
090	074554901	074554901	074554901	074554901
095	074554901	074554901	074556901	074556901
100	074556901	074556901	074556901	074556901

Compressors

Continued

Compressor Part Numbers

460/60/3 (04= 27), Across-the-Line (C05= AL) or Part Winding (C05= PW)

Unit Model No.	Compressor 1 4 Step (08=4)	Compressor 1 6 Step (08=4)	Compressor 2 4 Step (08=4)	Compressor 2 6 Step (08=6)
055	071846101	071838401	071846101	071838401
060	071846101	071838401	071835501	071836901
065	071835501	071836901	071835501	071836901
070	071835501	071836901	071835801	071837701
075	071835801	071837701	071835801	071837701
080	071835801	071837701	074555101	074555101
085	074555101	074555101	074555101	074555101
090	074555101	074555101	074555101	074555101
095	074555101	074555101	074557101	074557101
100	074557101	074557101	074557101	074557101

Compressors

Continued

Compressor Part Numbers

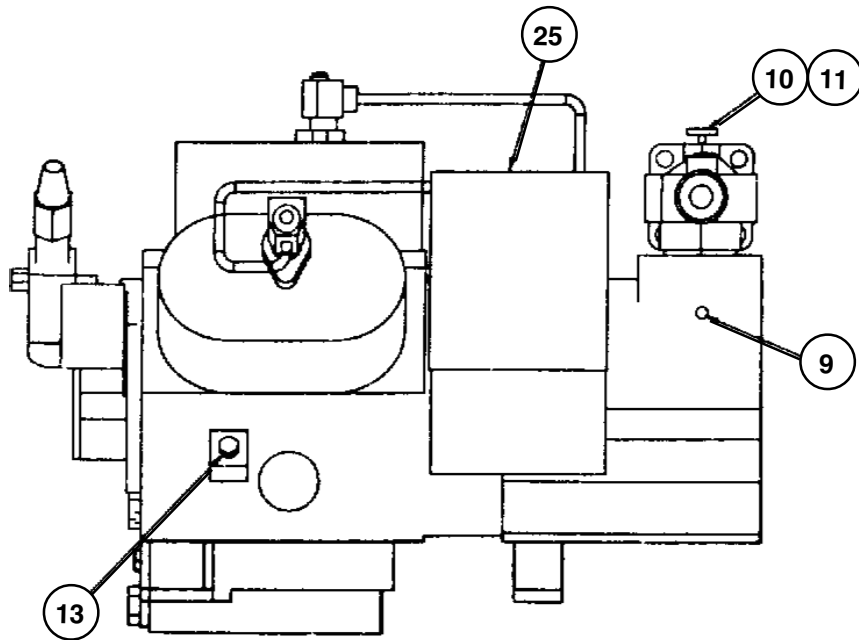
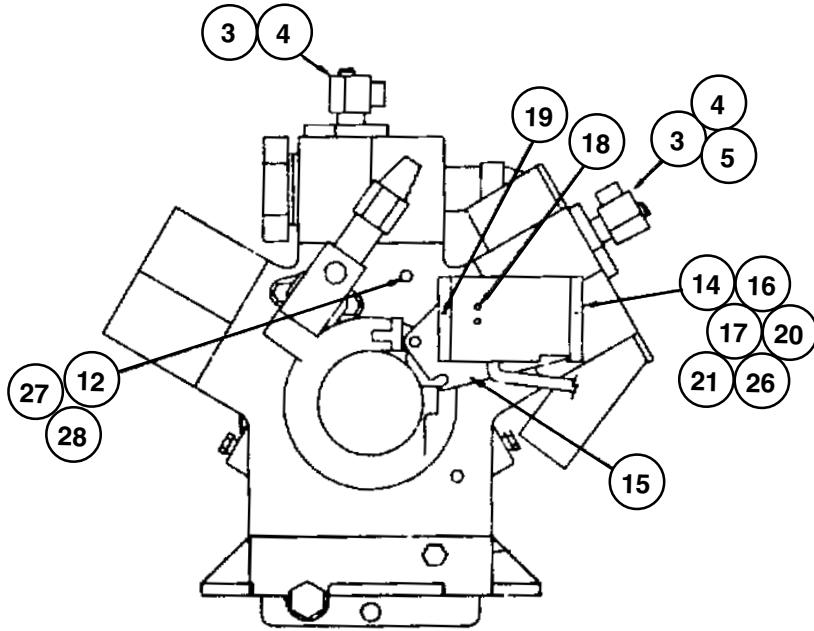
575/60/3 (04= 37), Across-the-Line (C05= AL) or Part Winding (C05= PW)

Unit Model No.	Compressor 1 4 Step (08=4)	Compressor 1 6 Step (08=4)	Compressor 2 4 Step (08=4)	Compressor 2 6 Step (08=5)
055	071846601	071838501	071846601	071838501
060	071846601	071838501	071835601	071837001
065	071835601	071837001	071835601	071837001
070	071835601	071837001	071837801	071837801
075	071837801	071837801	071837801	071837801
080	071837801	071837801	074555501	074555501
085	074555501	074555501	074555501	074555501
090	074555501	074555501	074555501	074555501
095	074555501	074555501	074557501	074557501
100	074557501	074557501	074557501	074557501

Compressors

Continued

Compressor Common Parts Diagrams



Compressors Continued

Compressor Common Parts Components

Ref. No.	Description	Part Number	Qty.*
3	Unloader Valve	046497300	2
4	Gasket- Unloader Valve	072927901	2
5	Conduit	017817820	1
9	Valve- No Core	047135501	1
10	T- .25FL X .25MPT	001373200	1
11	Flare Cap	000540900	2
12	T- .25 X.25 X .25		
	30HP, 35HP, 40HP Compressors	070229302	5
	50HP, 60HP Compressors	070229301	1
13	Elbow- .25FL X .25P	001124300	1
14	Nut- .25"	000028600	2
15	Oil Control Bracket		
	30HP, 35HP, 40HP Compressors	074804101	1
	50HP, 60HP Compressors	074804201	1
16	Oil Switch Enclosure	071240301	1
17	Oil Switch Cover	071240201	1
18	Screw	735032742	2
19	Screw	038990807	2
20	Oil Switch Grommet	074635001	1
21	OP1/OP2 Cable		
	UNT Control	074642102	1
	MicroTech	074642101	1
25	Gasket	027017035	1
26	Oil Pressure Control (OP1/OP2)		
	UNT Control	001354900	1
	MicroTech	070971801	1
27	High Pressure Control (HP1/HP2)		
	MicroTech Units Only	073074002	1
28	Conduit for HP1/HP2		
	MicroTech Units Only	073238630	1

*Quantities are for ONE compressor. Each unit has two compressors.

Power Panel

AGR 055, 060, 065, 070, 075, 080, 085, 090, 095, 100 Common Components

**Latches, Catches, Hinges, Ground Screw,
Unit Amp Draw % Option, Ground Fault Relay & Sensor**

Ref. No.	Schem Sym.	Description	Part Number	Qty.
		Latches, Catches, Hinges		
132		Bracket- Magnet	070753601	1
133		Door Catch	039962900	2
170		Fastener- Magnet	034905200	4
171		Catch Bracket	034905000	4
952		Hinge	032457700	8
		Ground Screw		
701	GRD	Ground Screw	028798500	1
		Unit % Amps (C26= **D or **C)		
980	CT	Transformer- MicroTech Units (C11= M**)	735076511	1
986	RES1	Resistor- MicroTech Units (C11= M**)	735003223	1
989	SC	Signal Converter- MicroTech Units (C11=M**)	049264901	1
999		Signal Converter Spacer	048166702	4
		Ground Fault		
990	GFP	Ground Fault Protection Relay	736017401	1
991		Ground Fault Relay Sensor	736017402	1
992		Ground Fault Sensor Mount	048837101	1
993		Ground Fault Relay Mount	048844301	1

Power Panel

AGR 055, 060, 065, 070 Common Components

Speedtrol Transformer, Phase Voltage Monitor, Fan Contactors and Fuses, Control Transformer and Fuses, Part Winding TD

Ref. No.	Schem. Sym.	Description	Part Number	208/ 230V	460V	575V
290	T10	Transformer- Speedtrol (C18= S)	046738109	1		1
	T10	Transformer- Speedtrol (C18= S)	046738103		1	
346	TD1, TD2	Part Winding Time Delay (C05= PW)	028210101	2	2	2
356	PVM	Phase Voltage Monitor (C12= D)	070269963	1		
	PVM	Phase Voltage Monitor (C12= D)	070269965		1	
	PVM	Phase Voltage Monitor (C12= D)	070269966			1
356	PVM	Phase Voltage Monitor (C12= V)	070269930	1	1	
	PVM	Phase Voltage Monitor (C12= V)	070269966			1
660A	FB6	Fuse Block- Speedtrol Units (C18= S)	046500002	1	1	1
	FB6	Fuse Block- Fanrol Units (C18= F)	070989801	1	1	1
660	FB7	Fuse Block	070989801	1	1	1
661A	F6	Fuse- Speedtrol Units (C18= S)	042753121	2		2
	F6	Fuse- Speedtrol Units (C18= S)	042753116		2	
	F6	Fuse- Fanrol Units (C18= F): AGR055 - 065	042753122	3		
	F6	Fuse- Fanrol Units (C18= F): AGR055 - 065	042753120		3	
	F6	Fuse- Fanrol Units (C18= F): AGR055 - 065	042753117			3
	F6	Fuse- Fanrol Units (C18= F): AGR070	042753123	3		
	F6	Fuse- Fanrol Units (C18= F): AGR070	042753120		3	
	F6	Fuse- Fanrol Units (C18= F): AGR070	042753117			3
661	F7	Fuse: AGR055 - 065	042753122	3		
	F7	Fuse: AGR055 - 065	042753120		3	
	F7	Fuse: AGR055 - 065	042753117			3
	F7	Fuse: AGR070	042753123	3		
	F7	Fuse: AGR070	042753120		3	
	F7	Fuse: AGR070	042753117			3
664	M11,12,21,22	Fan Motor Contactor	041769601	4	4	4
670	F5	Fuse- 5A	049759811	2		2
	F5	Fuse- 4.5A	049759819		2	
671	FB5	Fuse Block (C10= A)	070971001	1	1	1
674	T1	Control Transformer (C10= A)	073191103	1	1	

Power Panel

AGR 075, 080, 085, 090, 100 Common Components

Speedtrol Transformer, Phase Voltage Monitor, Fan Contactors and Fuses, Control Transformer and Fuses, Part Winding TD

Ref. No.	Schem. Sym.	Description	Part Number	208/ 230V	460V	575V
290	T10	Transformer- Speedtrol (C18= S)	046738109	1		1
	T10	Transformer- Speedtrol (C18= S)	046738103		1	
346	TD1, TD2	Part Winding Time Delay (C05= PW)	028210101	2	2	2
356	PVM	Phase Voltage Monitor (C12= D)	070269963	1		
	PVM	Phase Voltage Monitor (C12= D)	070269965		1	
	PVM	Phase Voltage Monitor (C12= D)	070269966			1
	PVM	Phase Voltage Monitor (C12= V)	070269930	1	1	
	PVM	Phase Voltage Monitor (C12= V)	070269966			1
660A	FB6	Fuse Block- Speedtrol Units (C18= S)	046500002	1	1	1
	FB6	Fuse Block- Fantrol Units (C18= F)	070989801	1	1	1
660	FB7, FB8	Fuse Block	070989801	2	2	2
661A	F6	Fuse- Speedtrol Units (C18= S)	042753121	2		2
	F6	Fuse- Speedtrol Units (C18= S)	042753116		2	
	F6	Fuse- Fantrol Units (C18= F)	042753123	3		
	F6	Fuse- Fantrol Units (C18= F)	042753120		3	3
661	F7, F8	Fuse	042753123	6		
	F7, F8	Fuse	042753120		6	6
664	M11- 23	Fan Motor Contactor	041769601	6	6	6
670	F5	Fuse- 8A	049759814	2		
	F5	Fuse- 3.5A	049759820		2	
	F5	Fuse- 5A	049759811			2
671	FB5	Fuse Block (C10= A)	070971001	1	1	1
674	T1	Control Transformer (C10= A)	073191104	1	1	
	T1	Control Transformer (C10= A)	038253929			1

Power Panel

AGR 055A Components

Compressor Contactors, Compressor Circuit Breakers, Power Block, Disconnect Switches, Hubs

Either Starting Option (C05= AL or PW)

Ref. No.	Schem. Sym.	Description	Part Number	208/230V	460V	575V
690	PB1	Power Block (C06= P)- 335MA	030372706	1	1	1
690	DS1	Disconnect Switch- 250A	047442104	1		
	DS1	Disconnect Switch- 150A	047442102		1	
	DS1	Disconnect Switch- 100A	047442101			1
N/S		Power Hub- 2"	038683000	1		
N/S		Power Hub- 1"	038682700		1	1

Across- the - Line Start (C05= AL)

Ref. No.	Schem. Sym.	Description	Part Number	208/230V	460V	575V
533	M1	Compressor Contactor- Compressor 1	027514405	1	1	1
534	M5	Compressor Contactor- Compressor 1	027514405	1	N/A	N/A
535	M2	Compressor Contactor- Compressor 2	027514405	1	1	1
536	M6	Compressor Contactor- Compressor 2	027514405	1	N/A	N/A
550	CB1	Circuit Breaker- Compressor 1 (C07= C)	047359312	1		
	CB1	Circuit Breaker- Compressor 1 (C07= C)	047359332		1	
	CB1	Circuit Breaker- Compressor 1 (C07= C)	047359346			1
551	CB5	Circuit Breaker- Compressor 1 (C07= C)	047359312	1	N/A	N/A
552	CB2	Circuit Breaker- Compressor 2 (C07= C)	047359312	1		
	CB2	Circuit Breaker- Compressor 2 (C07= C)	047359332		1	
	CB2	Circuit Breaker- Compressor 2 (C07= C)	047359346			1
553	CB6	Circuit Breaker- Compressor 2 (C07= C)	047359312	1	N/A	N/A

Part Winding Start (C05= PW)

Ref. No.	Schem. Sym.	Description	Part Number	208/230V	460V	575V
533	M1	Compressor Contactor- Compressor 1	027514405	1		
	M1	Compressor Contactor- Compressor 1	027514403		1	1
534	M5	Compressor Contactor- Compressor 1	027514405	1		
	M5	Compressor Contactor- Compressor 1	027514403		1	1
535	M2	Compressor Contactor- Compressor 2	027514405	1		
	M2	Compressor Contactor- Compressor 2	027514403		1	1
536	M6	Compressor Contactor- Compressor 2	027514405	1		
	M6	Compressor Contactor- Compressor 2	027514403		1	1
550	CB1	Circuit Breaker- Compressor 1 (C07= C)	047359312	1		
	CB1	Circuit Breaker- Compressor 1 (C07= C)	047359332			1
	CB1	Circuit Breaker- Compressor 1 (C07= C)	047359346			1
551	CB5	Circuit Breaker- Compressor 1 (C07= C)	047359312	1		
	CB5	Circuit Breaker- Compressor 1 (C07= C)	047359332		1	
	CB5	Circuit Breaker- Compressor 1 (C07= C)	047359346			1
552	CB2	Circuit Breaker- Compressor 2 (C07= C)	047359312	1		
	CB2	Circuit Breaker- Compressor 2 (C07= C)	047359332		1	
	CB2	Circuit Breaker- Compressor 2 (C07= C)	047359346			1
553	CB6	Circuit Breaker- Compressor 2 (C07= C)	047359312	1		
	CB6	Circuit Breaker- Compressor 2 (C07= C)	047359332		1	
	CB6	Circuit Breaker- Compressor 2 (C07= C)	047359346			1

Power Panel

AGR 060A Components

Compressor Contactors, Compressor Circuit Breakers, Power Block, Disconnect Switches, Hubs

Either Starting Option (C05= AL or PW)

Ref. No.	Schem. Sym.	Description	Part Number	208/230V	460V	575V
690	PB1	Power Block (C06= P)- 335MA	030372706	1	1	1
690	DS1	Disconnect Switch- 400A	072937501	1		
	DS1	Disconnect Switch- 150A	047442102		1	1
N/S		Power Hub- 2.5"	041769300	1		
N/S		Power Hub- 1.5"	038682900		1	
N/S		Power Hub- 1"	038682700			1

Across- the - Line Start (C05= AL)

Ref. No.	Schem. Sym.	Description	Part Number	208/230V	460V	575V
533	M1	Compressor Contactor- Compressor 1	027514405	1	1	1
534	M5	Compressor Contactor- Compressor 1	027514405	1	N/A	N/A
535	M2	Compressor Contactor- Compressor 2	027514406	1	1	1
536	M6	Compressor Contactor- Compressor 2	027514406	1	N/A	N/A
550	CB1	Circuit Breaker- Compressor 1 (C07= C)	047359312	1		
	CB1	Circuit Breaker- Compressor 1 (C07= C)	047359332		1	
	CB1	Circuit Breaker- Compressor 1 (C07= C)	047359346			1
551	CB5	Circuit Breaker- Compressor 1 (C07= C)	047359312	1	N/A	N/A
552	CB2	Circuit Breaker- Compressor 2 (C07= C)	047359313	1		
	CB2	Circuit Breaker- Compressor 2 (C07= C)	047359332		1	
	CB2	Circuit Breaker- Compressor 2 (C07= C)	047359346			1
553	CB6	Circuit Breaker- Compressor 2 (C07= C)	047359313	1	N/A	N/A

Part Winding Start (C05= PW)

Ref. No.	Schem. Sym.	Description	Part Number	208/230V	460V	575V
533	M1	Compressor Contactor- Compressor 1	027514405	1		
	M1	Compressor Contactor- Compressor 1	027514403		1	1
534	M5	Compressor Contactor- Compressor 1	027514405	1		
	M5	Compressor Contactor- Compressor 1	027514403		1	1
535	M2	Compressor Contactor- Compressor 2	027514406	1		
	M2	Compressor Contactor- Compressor 2	027514404		1	1
536	M6	Compressor Contactor- Compressor 2	027514406	1		
	M6	Compressor Contactor- Compressor 2	027514404		1	1
550	CB1	Circuit Breaker- Compressor 1 (C07= C)	047359312	1		
	CB1	Circuit Breaker- Compressor 1 (C07= C)	047359332			1
	CB1	Circuit Breaker- Compressor 1 (C07= C)	047359346			1
551	CB5	Circuit Breaker- Compressor 1 (C07= C)	047359312	1		
	CB5	Circuit Breaker- Compressor 1 (C07= C)	047359332		1	
	CB5	Circuit Breaker- Compressor 1 (C07= C)	047359346			1
552	CB2	Circuit Breaker- Compressor 2 (C07= C)	047359313	1		
	CB2	Circuit Breaker- Compressor 2 (C07= C)	047359344		1	
	CB2	Circuit Breaker- Compressor 2 (C07= C)	047359346			1
553	CB6	Circuit Breaker- Compressor 2 (C07= C)	047359313	1		
	CB6	Circuit Breaker- Compressor 2 (C07= C)	047359344		1	
	CB6	Circuit Breaker- Compressor 2 (C07= C)	047359346			1

Power Panel

AGR 065A Components

Compressor Contactors, Compressor Circuit Breakers, Power Block, Disconnect Switches, Hubs

Either Starting Option (C05= AL or PW)

Ref. No.	Schem Sym.	Description	Part Number	208/230V	460V	575V
690	PB1	Power Block (C06= P)- 335MA	030372706	1	1	1
690	DS1	Disconnect Switch- 400A	072937501	1		
	DS1	Disconnect Switch- 250A	047442104		1	
	DS1	Disconnect Switch- 150A	047442102			1
N/S		Power Hub- 2.5"	041769300	1		
N/S		Power Hub- 1.5"	038682900		1	
N/S		Power Hub- 1.2"	038682800			1

Across- the - Line Start (C05= AL)

Ref. No.	Schem Sym.	Description	Part Number	208/230V	460V	575V
533	M1	Compressor Contactor- Compressor 1	027514406	1	1	1
534	M5	Compressor Contactor- Compressor 1	027514406	1	N/A	N/A
535	M2	Compressor Contactor- Compressor 2	027514406	1	1	1
536	M6	Compressor Contactor- Compressor 2	027514406	1	N/A	N/A
550	CB1	Circuit Breaker- Compressor 1 (C07= C)	047359313	1		
	CB1	Circuit Breaker- Compressor 1 (C07= C)	047359332		1	
	CB1	Circuit Breaker- Compressor 1 (C07= C)	047359346			1
551	CB5	Circuit Breaker- Compressor 1 (C07= C)	047359313	1	N/A	N/A
552	CB2	Circuit Breaker- Compressor 2 (C07= C)	047359313	1		
	CB2	Circuit Breaker- Compressor 2 (C07= C)	047359332		1	
	CB2	Circuit Breaker- Compressor 2 (C07= C)	047359346			1
553	CB6	Circuit Breaker- Compressor 2 (C07= C)	047359313	1	N/A	N/A

Part Winding Start (C05= PW)

Ref. No.	Schem Sym.	Description	Part Number	208/230V	460V	575V
533	M1	Compressor Contactor- Compressor 1	027514406	1		
	M1	Compressor Contactor- Compressor 1	027514404		1	1
534	M5	Compressor Contactor- Compressor 1	027514406	1		
	M5	Compressor Contactor- Compressor 1	027514404		1	1
535	M2	Compressor Contactor- Compressor 2	027514406	1		
	M2	Compressor Contactor- Compressor 2	027514404		1	1
536	M6	Compressor Contactor- Compressor 2	027514406	1		
	M6	Compressor Contactor- Compressor 2	027514404		1	1
550	CB1	Circuit Breaker- Compressor 1 (C07= C)	047359313	1		
	CB1	Circuit Breaker- Compressor 1 (C07= C)	047359344			1
	CB1	Circuit Breaker- Compressor 1 (C07= C)	047359346			1
551	CB5	Circuit Breaker- Compressor 1 (C07= C)	047359313	1		
	CB5	Circuit Breaker- Compressor 1 (C07= C)	047359344		1	
	CB5	Circuit Breaker- Compressor 1 (C07= C)	047359346			1
552	CB2	Circuit Breaker- Compressor 2 (C07= C)	047359313	1		
	CB2	Circuit Breaker- Compressor 2 (C07= C)	047359344		1	
	CB2	Circuit Breaker- Compressor 2 (C07= C)	047359346			1
553	CB6	Circuit Breaker- Compressor 2 (C07= C)	047359313	1		
	CB6	Circuit Breaker- Compressor 2 (C07= C)	047359344		1	

Power Panel

AGR 070A Components

Compressor Contactors, Compressor Circuit Breakers, Power Block, Disconnect Switches, Hubs

Either Starting Option (C05= AL or PW)

Ref. No.	Schem. Sym.	Description	Part Number	208/230V	460V	575V
690	PB1	Power Block (C06= P)- 335MA	030372706	1	1	1
690	DS1	Disconnect Switch- 400A	072937501	1		
	DS1	Disconnect Switch- 250A	047442104		1	
	DS1	Disconnect Switch- 150A	047442102			1
N/S		Power Hub- 2.5"	041769300	1		
N/S		Power Hub- 1.5"	038682900		1	
N/S		Power Hub- 1.2"	038682800			1

Across- the - Line Start (C05= AL)

Ref. No.	Schem. Sym.	Description	Part Number	208/230V	460V	575V
533	M1	Compressor Contactor- Compressor 1	027514406	1	1	1
534	M5	Compressor Contactor- Compressor 1	027514406	1	N/A	N/A
535	M2	Compressor Contactor- Compressor 2	027514407	1		
	M2	Compressor Contactor- Compressor 2	027514406		1	1
536	M6	Compressor Contactor- Compressor 2	027514407	1	N/A	N/A
550	CB1	Circuit Breaker- Compressor 1 (C07= C)	047359313	1		
	CB1	Circuit Breaker- Compressor 1 (C07= C)	047359332		1	
	CB1	Circuit Breaker- Compressor 1 (C07= C)	047359344			1
551	CB5	Circuit Breaker- Compressor 1 (C07= C)	047359313	1	N/A	N/A
552	CB2	Circuit Breaker- Compressor 2 (C07= C)	047359314	1		
	CB2	Circuit Breaker- Compressor 2 (C07= C)	047359333		1	
	CB2	Circuit Breaker- Compressor 2 (C07= C)	047359346			1
553	CB6	Circuit Breaker- Compressor 2 (C07= C)	047359314	1	N/A	N/A

Power Panel

AGR 070A Components, Continued

Compressor Contactors, Compressor Circuit Breakers, Power Block, Disconnect Switches, Hubs

Part Winding Start (C05= PW)

Ref. No.	Schem. Sym.	Description	Part Number	208/230V	460V	575V
533	M1	Compressor Contactor- Compressor 1	027514406	1		
	M1	Compressor Contactor- Compressor 1	027514404		1	1
534	M5	Compressor Contactor- Compressor 1	027514406	1		
	M5	Compressor Contactor- Compressor 1	027514404		1	1
535	M2	Compressor Contactor- Compressor 2	027514407	1		
	M2	Compressor Contactor- Compressor 2	027514404		1	1
536	M6	Compressor Contactor- Compressor 2	027514407	1		
	M6	Compressor Contactor- Compressor 2	027514404		1	1
550	CB1	Circuit Breaker- Compressor 1 (C07= C)	047359313	1		
	CB1	Circuit Breaker- Compressor 1 (C07= C)	047359344			1
	CB1	Circuit Breaker- Compressor 1 (C07= C)	047359346			1
551	CB5	Circuit Breaker- Compressor 1 (C07= C)	047359313	1		
	CB5	Circuit Breaker- Compressor 1 (C07= C)	047359344		1	
	CB5	Circuit Breaker- Compressor 1 (C07= C)	047359346			1
552	CB2	Circuit Breaker- Compressor 2 (C07= C)	047359314	1		
	CB2	Circuit Breaker- Compressor 2 (C07= C)	047359345		1	
	CB2	Circuit Breaker- Compressor 2 (C07= C)	047359348			1
553	CB6	Circuit Breaker- Compressor 2 (C07= C)	047359314	1		
	CB6	Circuit Breaker- Compressor 2 (C07= C)	047359345		1	
	CB6	Circuit Breaker- Compressor 2 (C07= C)	047359348			1

Power Panel

AGR 075A Components

Compressor Contactors, Compressor Circuit Breakers, Power Block, Disconnect Switches, Hubs

Either Starting Option (C05= AL or PW)

Ref. No.	Schem. Sym.	Description	Part Number	208/230V	460V	575V
690	PB1	Power Block (C06= P)- 335MA	030372706	1	1	1
690	DS1	Disconnect Switch- 400A	072937501	1		
	DS1	Disconnect Switch- 250A	047442104		1	
	DS1	Disconnect Switch- 150A	047442102			1
N/S		Power Hub- 3"	041769100	1		
N/S		Power Hub- 1.5"	038682900		1	1

Across- the - Line Start (C05= AL)

Ref. No.	Schem. Sym.	Description	Part Number	208/230V	460V	575V
533	M1	Compressor Contactor- Compressor 1	027514407	1		
	M1	Compressor Contactor- Compressor 1	027514406		1	1
534	M5	Compressor Contactor- Compressor 1	027514407	1	N/A	N/A
535	M2	Compressor Contactor- Compressor 2	027514407	1		
	M2	Compressor Contactor- Compressor 2	027514406		1	1
536	M6	Compressor Contactor- Compressor 2	027514407	1	N/A	N/A
550	CB1	Circuit Breaker- Compressor 1 (C07= C)	047359314	1		
	CB1	Circuit Breaker- Compressor 1 (C07= C)	047359333		1	
	CB1	Circuit Breaker- Compressor 1 (C07= C)	047359346			1
551	CB5	Circuit Breaker- Compressor 1 (C07= C)	047359314	1	N/A	N/A
552	CB2	Circuit Breaker- Compressor 2 (C07= C)	047359314	1		
	CB2	Circuit Breaker- Compressor 2 (C07= C)	047359333		1	
	CB2	Circuit Breaker- Compressor 2 (C07= C)	047359346			1
553	CB6	Circuit Breaker- Compressor 2 (C07= C)	047359314	1	N/A	N/A

Power Panel

AGR 075A Components, Continued

Compressor Contactors, Compressor Circuit Breakers, Power Block, Disconnect Switches, Hubs

Part Winding Start (C05= PW)

Ref. No.	Schem. Sym.	Description	Part Number	208/230V	460V	575V
533	M1	Compressor Contactor- Compressor 1	027514407	1		
	M1	Compressor Contactor- Compressor 1	027514404		1	1
534	M5	Compressor Contactor- Compressor 1	027514407	1		
	M5	Compressor Contactor- Compressor 1	027514404		1	1
535	M2	Compressor Contactor- Compressor 2	027514407	1		
	M2	Compressor Contactor- Compressor 2	027514404		1	1
536	M6	Compressor Contactor- Compressor 2	027514407	1		
	M6	Compressor Contactor- Compressor 2	027514404		1	1
550	CB1	Circuit Breaker- Compressor 1 (C07= C)	047359314	1		
	CB1	Circuit Breaker- Compressor 1 (C07= C)	047359345			1
	CB1	Circuit Breaker- Compressor 1 (C07= C)	047359348			1
551	CB5	Circuit Breaker- Compressor 1 (C07= C)	047359314	1		
	CB5	Circuit Breaker- Compressor 1 (C07= C)	047359345		1	
	CB5	Circuit Breaker- Compressor 1 (C07= C)	047359348			1
552	CB2	Circuit Breaker- Compressor 2 (C07= C)	047359314	1		
	CB2	Circuit Breaker- Compressor 2 (C07= C)	047359345		1	
	CB2	Circuit Breaker- Compressor 2 (C07= C)	047359348			1
553	CB6	Circuit Breaker- Compressor 2 (C07= C)	047359314	1		
	CB6	Circuit Breaker- Compressor 2 (C07= C)	047359345		1	
	CB6	Circuit Breaker- Compressor 2 (C07= C)	047359348			1

Power Panel

AGR 080A Components

Compressor Contactors, Compressor Circuit Breakers, Power Block, Disconnect Switches, Hubs

Either Starting Option (C05= AL or PW)

Ref. No.	Schem. Sym.	Description	Part Number	208/230V	460V	575V
690	PB1	Power Block (C06= P)- 840MA	030372724	1		
	PB1	Power Block (C06= P)- 335MA	030372706		1	1
690	DS1	Disconnect Switch- 400A	072937501	1		
	DS1	Disconnect Switch- 250A	047442104		1	1
N/S		Power Hub- 2"	038683000	1	1	1

Across- the - Line Start (C05= AL)

Ref. No.	Schem. Sym.	Description	Part Number	208/230V	460V	575V
533	M1	Compressor Contactor- Compressor 1	027514407	1		
	M1	Compressor Contactor- Compressor 1	027514406		1	1
534	M5	Compressor Contactor- Compressor 1	027514407	1	N/A	N/A
535	M2	Compressor Contactor- Compressor 2	072288701	1		
	M2	Compressor Contactor- Compressor 2	027514407		1	
	M2	Compressor Contactor- Compressor 2	027514406			1
536	M6	Compressor Contactor- Compressor 2	072288701	1		
	M6	Compressor Contactor- Compressor 2	027514407		1	
	M6	Compressor Contactor- Compressor 2	027514406			1
550	CB1	Circuit Breaker- Compressor 1 (C07= C)	047359314	1		
	CB1	Circuit Breaker- Compressor 1 (C07= C)	047359333		1	
	CB1	Circuit Breaker- Compressor 1 (C07= C)	047359346			1
551	CB5	Circuit Breaker- Compressor 1 (C07= C)	047359314	1	N/A	N/A
552	CB2	Circuit Breaker- Compressor 2 (C07= C)	047359315	1		
	CB2	Circuit Breaker- Compressor 2 (C07= C)	047359330		1	
	CB2	Circuit Breaker- Compressor 2 (C07= C)	047359346			1
553	CB6	Circuit Breaker- Compressor 2 (C07= C)	047359315	1		
	CB6	Circuit Breaker- Compressor 2 (C07= C)	047359330		1	
	CB6	Circuit Breaker- Compressor 2 (C07= C)	047359346			1

Power Panel

AGR 080A Components, Continued

Compressor Contactors, Compressor Circuit Breakers, Power Block, Disconnect Switches, Hubs

Part Winding Start (C05= PW)

Ref. No.	Schem. Sym.	Description	Part Number	208/230V	460V	575V
533	M1	Compressor Contactor- Compressor 1	027514407	1		
	M1	Compressor Contactor- Compressor 1	027514404		1	1
534	M5	Compressor Contactor- Compressor 1	027514407	1		
	M5	Compressor Contactor- Compressor 1	027514404		1	1
535	M2	Compressor Contactor- Compressor 2	072288701	1		
	M2	Compressor Contactor- Compressor 2	027514407		1	
	M2	Compressor Contactor- Compressor 2	027514406			1
536	M6	Compressor Contactor- Compressor 2	072288701	1		
	M6	Compressor Contactor- Compressor 2	027514407		1	
	M6	Compressor Contactor- Compressor 2	027514406			1
550	CB1	Circuit Breaker- Compressor 1 (C07= C)	047359314	1		
	CB1	Circuit Breaker- Compressor 1 (C07= C)	047359345			1
	CB1	Circuit Breaker- Compressor 1 (C07= C)	047359348			1
551	CB5	Circuit Breaker- Compressor 1 (C07= C)	047359314	1		
	CB5	Circuit Breaker- Compressor 1 (C07= C)	047359345		1	
	CB5	Circuit Breaker- Compressor 1 (C07= C)	047359348			1
552	CB2	Circuit Breaker- Compressor 2 (C07= C)	047359315	1		
	CB2	Circuit Breaker- Compressor 2 (C07= C)	047359330		1	
	CB2	Circuit Breaker- Compressor 2 (C07= C)	047359346			1
553	CB6	Circuit Breaker- Compressor 2 (C07= C)	047359315	1		
	CB6	Circuit Breaker- Compressor 2 (C07= C)	047359330		1	
	CB6	Circuit Breaker- Compressor 2 (C07= C)	047359346			1

Power Panel

AGR 085A Components

Compressor Contactors, Compressor Circuit Breakers, Power Block, Disconnect Switches, Hubs

Either Starting Option (C05= AL or PW)

Ref. No.	Schem. Sym.	Description	Part Number	208/230V	460V	575V
690	PB1	Power Block (C06= P)- 840MA	030372724	1		
	PB1	Power Block (C06= P)- 335MA	030372706		1	1
690	DS1	Disconnect Switch- 600A	072937503	1		
	DS1	Disconnect Switch- 250A	047442104		1	1
N/S		Power Hub- 2"	038683000	1	1	1

Either Starting Option (C05= AL or PW)

Ref. No.	Schem. Sym.	Description	Part Number	208/230V	460V	575V
533	M1	Compressor Contactor- Compressor 1	072288701	1		
	M1	Compressor Contactor- Compressor 1	027514407		1	
	M1	Compressor Contactor- Compressor 1	027514406			1
534	M5	Compressor Contactor- Compressor 1	072288701	1		
	M5	Compressor Contactor- Compressor 1	027514407		1	
	M5	Compressor Contactor- Compressor 1	027514406			1
535	M2	Compressor Contactor- Compressor 2	072288701	1		
	M2	Compressor Contactor- Compressor 2	027514407		1	
	M2	Compressor Contactor- Compressor 2	027514406			1
536	M6	Compressor Contactor- Compressor 2	072288701	1		
	M6	Compressor Contactor- Compressor 2	027514407		1	
	M6	Compressor Contactor- Compressor 2	027514406			1
550	CB1	Circuit Breaker- Compressor 1 (C07= C)	047359315	1		
	CB1	Circuit Breaker- Compressor 1 (C07= C)	047359330		1	
	CB1	Circuit Breaker- Compressor 1 (C07= C)	047359346			1
551	CB5	Circuit Breaker- Compressor 1 (C07= C)	047359315	1		
	CB5	Circuit Breaker- Compressor 1 (C07= C)	047359330		1	
	CB5	Circuit Breaker- Compressor 1 (C07= C)	047359346			1
552	CB2	Circuit Breaker- Compressor 2 (C07= C)	047359315	1		
	CB2	Circuit Breaker- Compressor 2 (C07= C)	047359330		1	
	CB2	Circuit Breaker- Compressor 2 (C07= C)	047359346			1
553	CB6	Circuit Breaker- Compressor 2 (C07= C)	047359315	1		
	CB6	Circuit Breaker- Compressor 2 (C07= C)	047359330		1	
	CB6	Circuit Breaker- Compressor 2 (C07= C)	047359346			1

Power Panel

AGR 090A Components

Compressor Contactors, Compressor Circuit Breakers, Power Block, Disconnect Switches, Hubs

Either Starting Option (C05= AL or PW)

Ref. No.	Schem. Sym.	Description	Part Number	208/230V	460V	575V
690	PB1	Power Block (C06= P)- 840MA	030372724	1		
	PB1	Power Block (C06= P)- 335MA	030372706		1	1
690	DS1	Disconnect Switch- 600A	072937503	1		
	DS1	Disconnect Switch- 250A	047442104		1	1
N/S		Power Hub- 2"	038683000	1	1	1

Either Starting Option (C05= AL or PW)

Ref. No.	Schem. Sym.	Description	Part Number	208/230V	460V	575V
533	M1	Compressor Contactor- Compressor 1	072288701	1		
	M1	Compressor Contactor- Compressor 1	027514407		1	
	M1	Compressor Contactor- Compressor 1	027514406			1
534	M5	Compressor Contactor- Compressor 1	072288701	1		
	M5	Compressor Contactor- Compressor 1	027514407		1	
	M5	Compressor Contactor- Compressor 1	027514406			1
535	M2	Compressor Contactor- Compressor 2	072288701	1		
	M2	Compressor Contactor- Compressor 2	027514407		1	
	M2	Compressor Contactor- Compressor 2	027514406			1
536	M6	Compressor Contactor- Compressor 2	072288701	1		
	M6	Compressor Contactor- Compressor 2	027514407		1	
	M6	Compressor Contactor- Compressor 2	027514406			1
550	CB1	Circuit Breaker- Compressor 1 (C07= C)	047359315	1		
	CB1	Circuit Breaker- Compressor 1 (C07= C)	047359330		1	
	CB1	Circuit Breaker- Compressor 1 (C07= C)	047359346			1
551	CB5	Circuit Breaker- Compressor 1 (C07= C)	047359315	1		
	CB5	Circuit Breaker- Compressor 1 (C07= C)	047359330		1	
	CB5	Circuit Breaker- Compressor 1 (C07= C)	047359346			1
552	CB2	Circuit Breaker- Compressor 2 (C07= C)	047359315	1		
	CB2	Circuit Breaker- Compressor 2 (C07= C)	047359330		1	
	CB2	Circuit Breaker- Compressor 2 (C07= C)	047359346			1
553	CB6	Circuit Breaker- Compressor 2 (C07= C)	047359315	1		
	CB6	Circuit Breaker- Compressor 2 (C07= C)	047359330		1	
	CB6	Circuit Breaker- Compressor 2 (C07= C)	047359346			1

Power Panel

AGR 095A Components

Compressor Contactors, Compressor Circuit Breakers, Power Block, Disconnect Switches, Hubs

Either Starting Option (C05= AL or PW)

Ref. No.	Schem. Sym.	Description	Part Number	208/230V	460V	575V
690	PB1	Power Block (C06= P)- 840MA	030372724	1		
	PB1	Power Block (C06= P)- 335MA	030372706		1	1
690	DS1	Disconnect Switch- 600A	072937503	1		
	DS1	Disconnect Switch- 250A	047442104		1	1
N/S		Power Hub- 2"	038683000	1	1	1

Either Starting Option (C05= AL or PW)

Ref. No.	Schem. Sym.	Description	Part Number	208/230V	460V	575V
533	M1	Compressor Contactor- Compressor 1	072288701	1		
	M1	Compressor Contactor- Compressor 1	027514407		1	
	M1	Compressor Contactor- Compressor 1	027514406			1
534	M5	Compressor Contactor- Compressor 1	072288701	1		
	M5	Compressor Contactor- Compressor 1	027514407		1	
	M5	Compressor Contactor- Compressor 1	027514406			1
535	M2	Compressor Contactor- Compressor 2	072288701	1		
	M2	Compressor Contactor- Compressor 2	027514407		1	
	M2	Compressor Contactor- Compressor 2	027514406			1
536	M6	Compressor Contactor- Compressor 2	072288701	1		
	M6	Compressor Contactor- Compressor 2	027514407		1	
	M6	Compressor Contactor- Compressor 2	027514406			1
550	CB1	Circuit Breaker- Compressor 1 (C07= C)	047359315	1		
	CB1	Circuit Breaker- Compressor 1 (C07= C)	047359330		1	
	CB1	Circuit Breaker- Compressor 1 (C07= C)	047359346			1
551	CB5	Circuit Breaker- Compressor 1 (C07= C)	047359315	1		
	CB5	Circuit Breaker- Compressor 1 (C07= C)	047359330		1	
	CB5	Circuit Breaker- Compressor 1 (C07= C)	047359346			1
552	CB2	Circuit Breaker- Compressor 2 (C07= C)	047359317	1		
	CB2	Circuit Breaker- Compressor 2 (C07= C)	047359332		1	
	CB2	Circuit Breaker- Compressor 2 (C07= C)	047359346			1
553	CB6	Circuit Breaker- Compressor 2 (C07= C)	047359317	1		
	CB6	Circuit Breaker- Compressor 2 (C07= C)	047359332		1	
	CB6	Circuit Breaker- Compressor 2 (C07= C)	047359346			1

Power Panel

AGR 100A Components

Compressor Contactors, Compressor Circuit Breakers, Power Block, Disconnect Switches, Hubs

Either Starting Option (C05= AL or PW)

Ref. No.	Schem. Sym.	Description	Part Number	208/230V	460V	575V
690	PB1	Power Block (C06= P)- 840MA	030372724	1		
	PB1	Power Block (C06= P)- 335MA	030372706		1	1
690	DS1	Disconnect Switch- 600A	072937503	1		
	DS1	Disconnect Switch- 250A	047442104		1	1
N/S		Power Hub- 2"	038683000	1	1	1

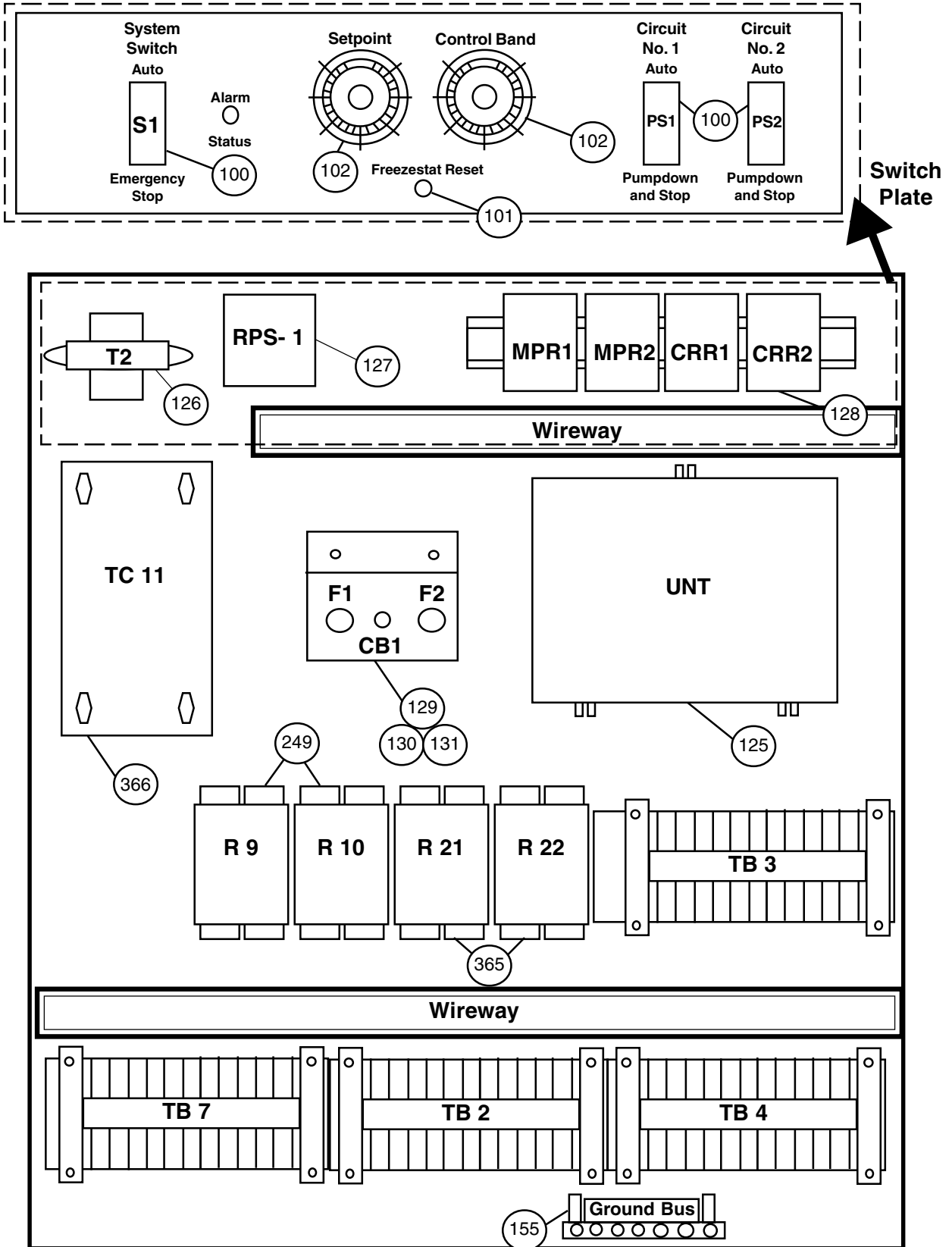
Either Starting Option (C05= AL or PW)

Ref. No.	Schem. Sym.	Description	Part Number	208/230V	460V	575V
533	M1	Compressor Contactor- Compressor 1	072288701	1		
	M1	Compressor Contactor- Compressor 1	027514407		1	
	M1	Compressor Contactor- Compressor 1	027514406			1
534	M5	Compressor Contactor- Compressor 1	072288701	1		
	M5	Compressor Contactor- Compressor 1	027514407		1	
	M5	Compressor Contactor- Compressor 1	027514406			1
535	M2	Compressor Contactor- Compressor 2	072288701	1		
	M2	Compressor Contactor- Compressor 2	027514407		1	
	M2	Compressor Contactor- Compressor 2	027514406			1
536	M6	Compressor Contactor- Compressor 2	072288701	1		
	M6	Compressor Contactor- Compressor 2	027514407		1	
	M6	Compressor Contactor- Compressor 2	027514406			1
550	CB1	Circuit Breaker- Compressor 1 (C07= C)	047359317	1		
	CB1	Circuit Breaker- Compressor 1 (C07= C)	047359332		1	
	CB1	Circuit Breaker- Compressor 1 (C07= C)	047359346			1
551	CB5	Circuit Breaker- Compressor 1 (C07= C)	047359317	1		
	CB5	Circuit Breaker- Compressor 1 (C07= C)	047359332		1	
	CB5	Circuit Breaker- Compressor 1 (C07= C)	047359346			1
552	CB2	Circuit Breaker- Compressor 2 (C07= C)	047359317	1		
	CB2	Circuit Breaker- Compressor 2 (C07= C)	047359332		1	
	CB2	Circuit Breaker- Compressor 2 (C07= C)	047359346			1
553	CB6	Circuit Breaker- Compressor 2 (C07= C)	047359317	1		
	CB6	Circuit Breaker- Compressor 2 (C07= C)	047359332		1	
	CB6	Circuit Breaker- Compressor 2 (C07= C)	047359346			1

Control Panel Components

UNT Control Panel Diagram- Left Side

(Code 11= JYY, JZY, JRY, JDY, JYD, JZD, JRD, or JDD)



Control Panel Components

UNT Control Panel Components- Left Side

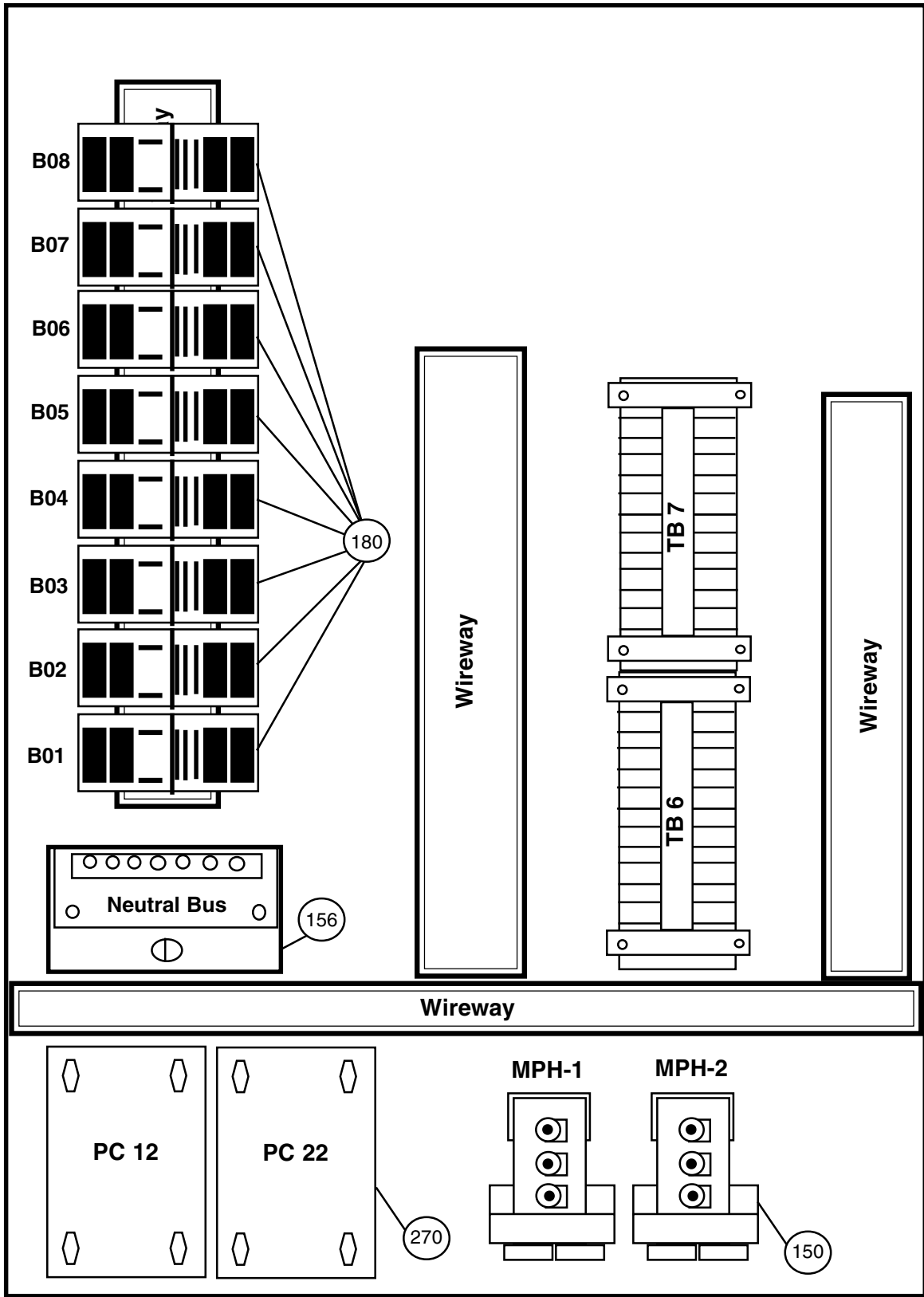
(Code 11= JYY, JZY, JRY, JDY, JYD, JZD, JRD, or JDD)

Ref#	Schematic Symbol	Description	Part Number	Qty.
100	S1 / PS1 / PS2	Switch	074804401	3
101		Freezestat Reset Button	074804501	1
102		Potentiometer: Setpoint and Control Band	074805401	2
125	UNT	Main Controller- Johnson Controls Central Processor	074804901	1
126	T2	Control Circuit Transformer- 120V- 24V	074804601	1
127	RPS-1	Reg. Power Supply: 120VA- 5VDC	074804701	1
128	MPR1,2 / CRR1,2	Relay	074804801	4
129	CB1	Circuit Breaker	074805001	1
130	F1	Fuse- 15A	025954700	1
131	F2	Fuse- 10A	018961400	1
155		Ground Bus	037530800	1
249	R9, R10	Relay- Hot Gas Bypass	072937402	2
365	R21, R22	Relay- Hi Ambient Unloading	072937402	2
366	TC11	Temperature Control- HiWater Unloading w/bulb	074805101	1

Control Panel Components

UNT Control Panel Diagram- Right Side

(Code 11= JYY, JZY, JRY, JDY, JYD, JZD, JRD, or JDD)



Control Panel Components

UNT Control Panel Components- Right Side

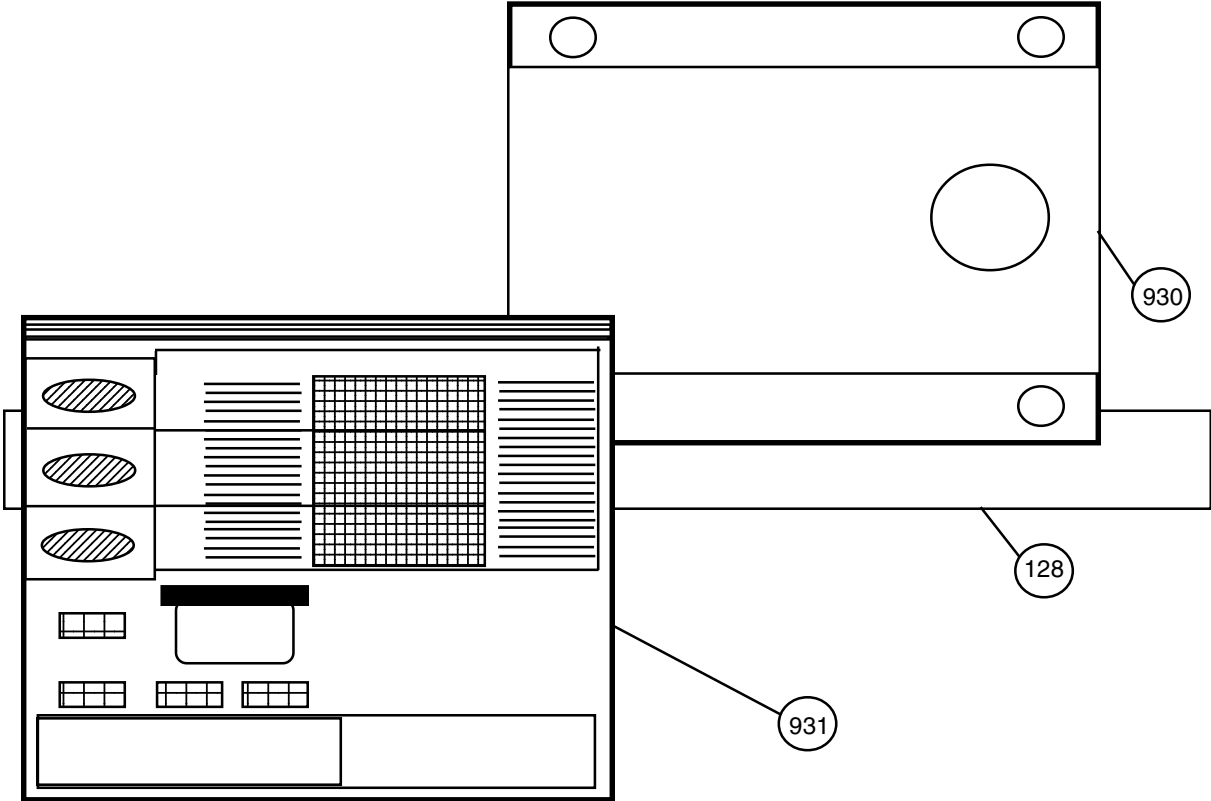
(Code 11= JYY, JZY, JRY, JDY, JYD, JZD, JRD, or JDD)

Ref#	Schematic Symbol	Description	Part Number	Qty.
150	MPH-1, 2	Mechanical Pressure Switch	074805301	2
156		Neutral Bus	037530700	1
180	B01- B08	Output Relays		
		Units with 4- Stage Capacity Control (C08= 04)	074805801	6
		Units with 6- Stage Capacity Control (C08= 06)	074805801	8
		(note: B05, B06 are only used on 6- stage units)		
270	PC12, PC22	Pressure Control- FanTrol Head Pressure	074805201	2
N/S		Zone Terminal Display Only	074805501	1

Control Panel Components

UNT Zone Terminal Display

(Code 11= J*D)



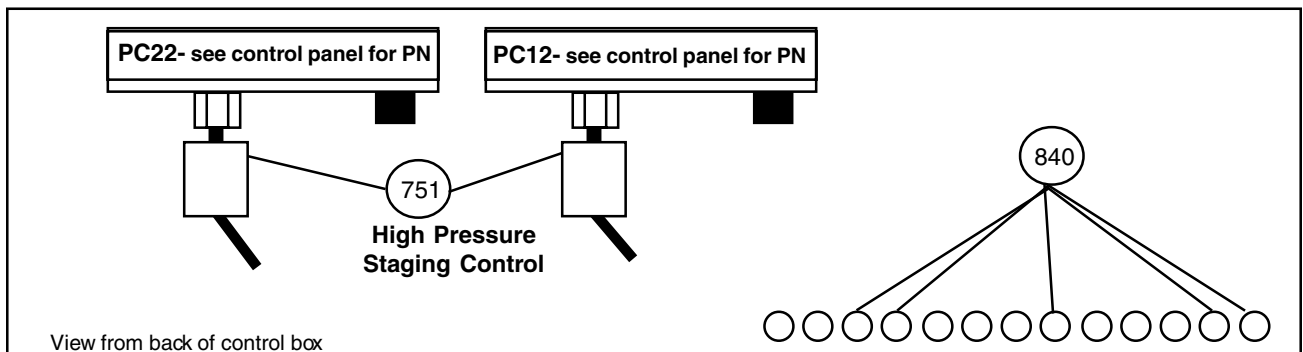
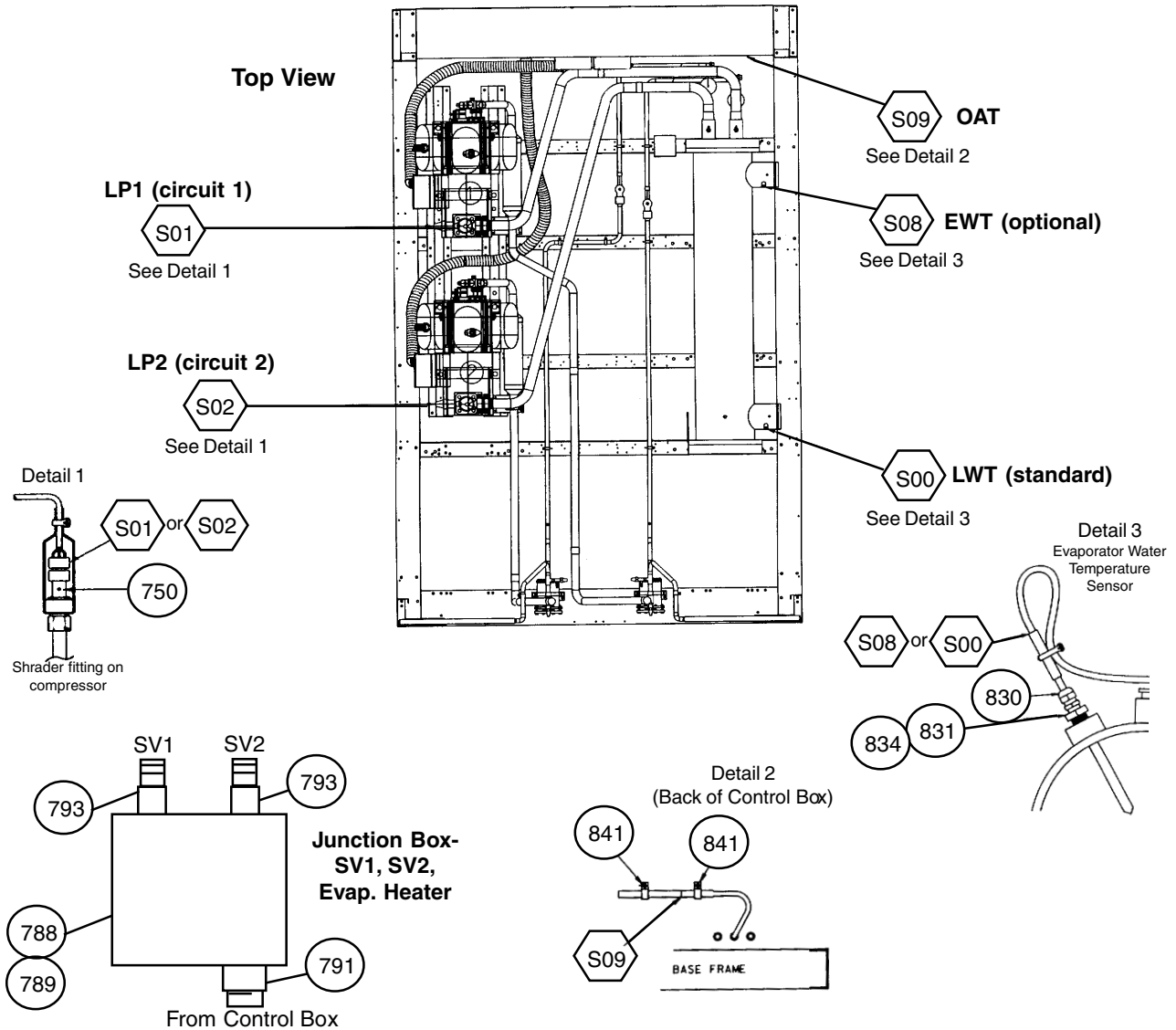
Ref#	Description	Part Number	Qty.
128	Channel w/o Convenience Outlet (C13= Y)	074710202	1
	Channel with Convenience Outlet (C13= C)	074710201	1
930	Mounting Bracket- Zone Terminal	074712801	1
931	Zone Terminal Kit (kit includes- Zone Terminal, Cable and Bracket)	074690001	1
	Zone Terminal Cable	074805601	1
	Terminal Bracket	074805701	1

Control Panel Components

UNT Control Panel Components Unit Mounted Sensors & Controls, Solenoid Valve Junction Box

(Code 11= JYY, JZY, JRY, JDY, JYD, JZD, JRD, or JDD)

Diagrams



Control Panel Components

UNT Control Panel

Unit Mounted Sensors & Controls, Solenoid Valve Junction Box

(Code 11= JYY, JZY, JRY, JDY, JYD, JZD, JRD, or JDD)

Components

Controls and Hardware

Ref#	Description	Part Number	Qty.
751	Hi-Pressure Fan Staging Control	073074003	2
N/S	Pressure Control- Hi Ambient Unloading	073074005	2
788	Junction Box	047359001	1
789	Junction Box Cover	047359002	1
791	Conduit Fitting- 1/2"	001127500	1
793	Conduit Fitting- 3/8"	001127600	2
830	Fitting- .25"	735048015	1
831	Well- Evap Nozzle	047441506	1
834	Bulb Paste	735026315	N/A
840	Bushing	028387000	6
841	Outside Air Sensor Clamp	735045630	2

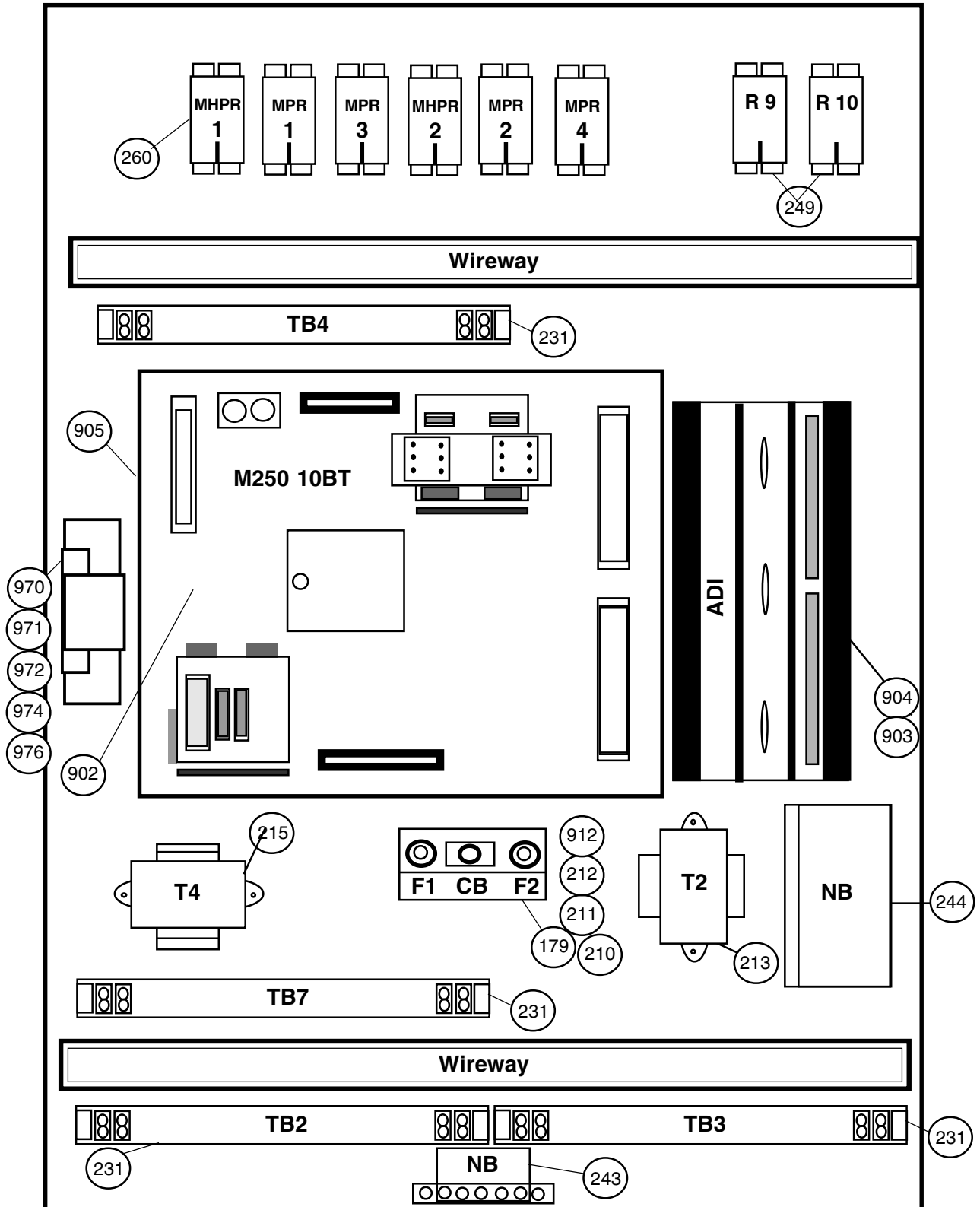
Sensors

Ref#	Description	Part Number	Qty.
S01, S02	L.P. Transducer @ Compressor		
	Sensor Cable Assembly	074667501	2
	Includes wires, boot, terminals, connector		
	Connector only	074609001	1
	Transducer Boot	071583301	1
750	Low Pressure Transducer	065816801	2
S08 or S00	Leaving or Entering Water Temperature Sensor	070312401	1
S09	Outdoor Air Temperature Sensor	070312401	1

Control Panel Components

MicroTech Control Panel Diagram- Left Side

(Code 11= MAY, MCY, MDY, MYY)



Control Panel Components

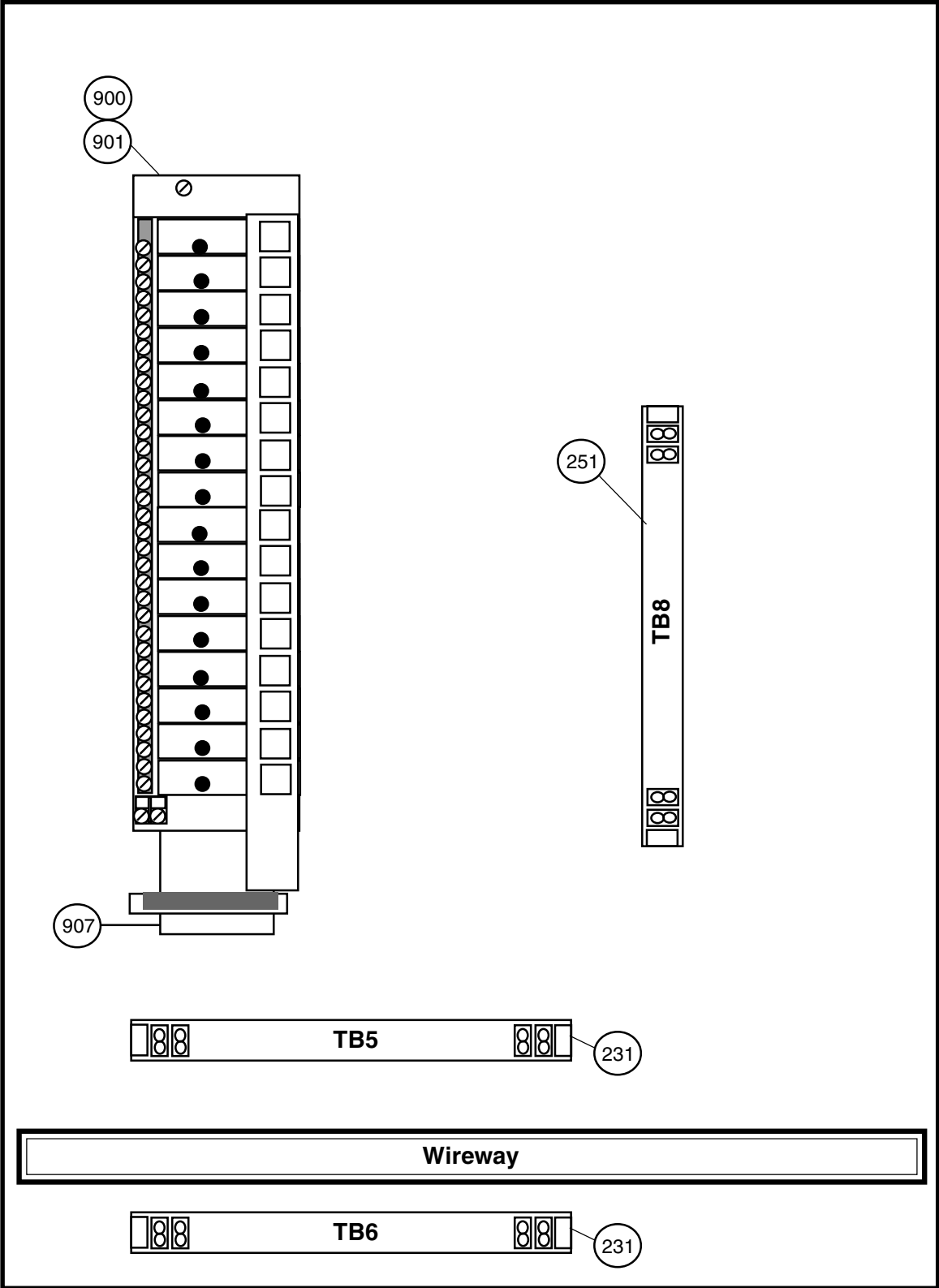
MicroTech Control Panel Components- Left Side

(Code 11= MAY, MCY, MDY, MYY)

Ref#	Schematic Symbol	Description	Part Number	Qty.
179		Bracket for F1, F2, CB	072969701	1
210	F1	Fuse- 15A	025954700	1
211		Fuse Holder for F1, F2	018690600	2
212	F2	Fuse- 10A	018961400	1
213	T2	Transformer: 120V- 24V	060630801	1
215	T4	Transformer: 24V- 18V	046738114	1
231	TB2, TB3, TB4, TB7	Terminal Block- 16 Terminals	022431216	4
243	NB	Neutral Block- 7 Pole	037530800	1
244	NB	Neutral Block- NE16P	037530700	1
249	R9, R10	Relay- SPDT 30A Hot Gas Bypass (C09= 2)	072937402	2
260	MHPR1,2, MPR1,2,3,4	Relay- 1PDT, 30A	072937402	6
902	M250	Controller M250 (must be programmed)	065487306	1
903		M250 Mounting Channel	055727201	1
904	ADI	ADI Board	065816001	1
905		Ribbon Cable	065499704	1
N/S		Varistor Ass'y- 30V	072119410	1
		Varistor Only	049759701	1
912	CB	Circuit Breaker	735073301	1
970		Modem Kit (w/cord set) (C26= *M*)	063585005	1
		Modem Only	059476901	1
		Cord Set Only	059476701	1
971		Modem Interface Cable	074355603	1
972		Gasket	070199207	1
974		Modem Bracket	073043505	1
976		Modem Bracket- Vertical	073014701	1
N/S		Alarm Bell (Mounted on Outside of Control Box)	017809400	1

Control Panel Components

MicroTech Control Panel Diagram- Right Side (Code 11= MAY, MCY, MDY, MYY)



Control Panel Components

MicroTech Control Panel Components- Right Side

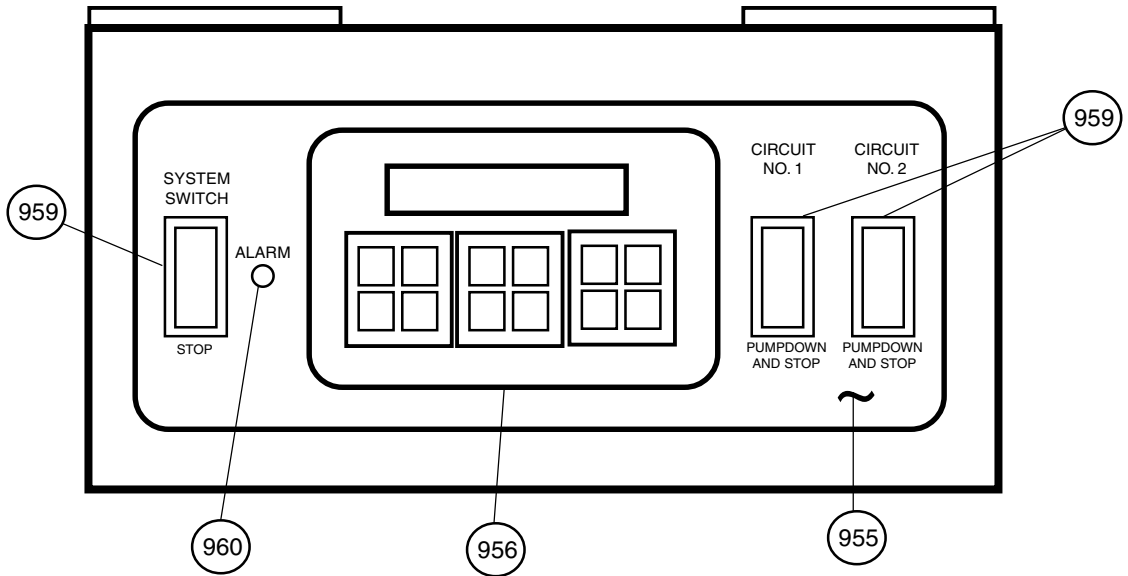
(Code 11= MAY, MCY, MDY, MYY)

Ref#	Schematic Symbol	Description	Part Number	Qty.
231	TB5, TB6	Terminal Block- 16 Terminals	022431216	2
251	TB8	Terminal Block- 9 Terminals	022431209	1
900		Output Board	049265501	1
901		Output Board Relays		
		AGR055- 070: 6 Steps Capacity (C08= 06)	049265601	14
		AGR055- 070: 4 Steps Capacity (C08= 04)	049265601	12
		AGR075- 100: 6 Steps Capacity (C08= 06)	049265601	16
		AGR075- 100: 4 Steps Capacity (C08= 04)	049265601	14
907		Ribbon Cable	049265201	1

Control Panel Components

MicroTech Control Panel Keypad Display

(Code 11= MAY, MCY, MDY, MYY)



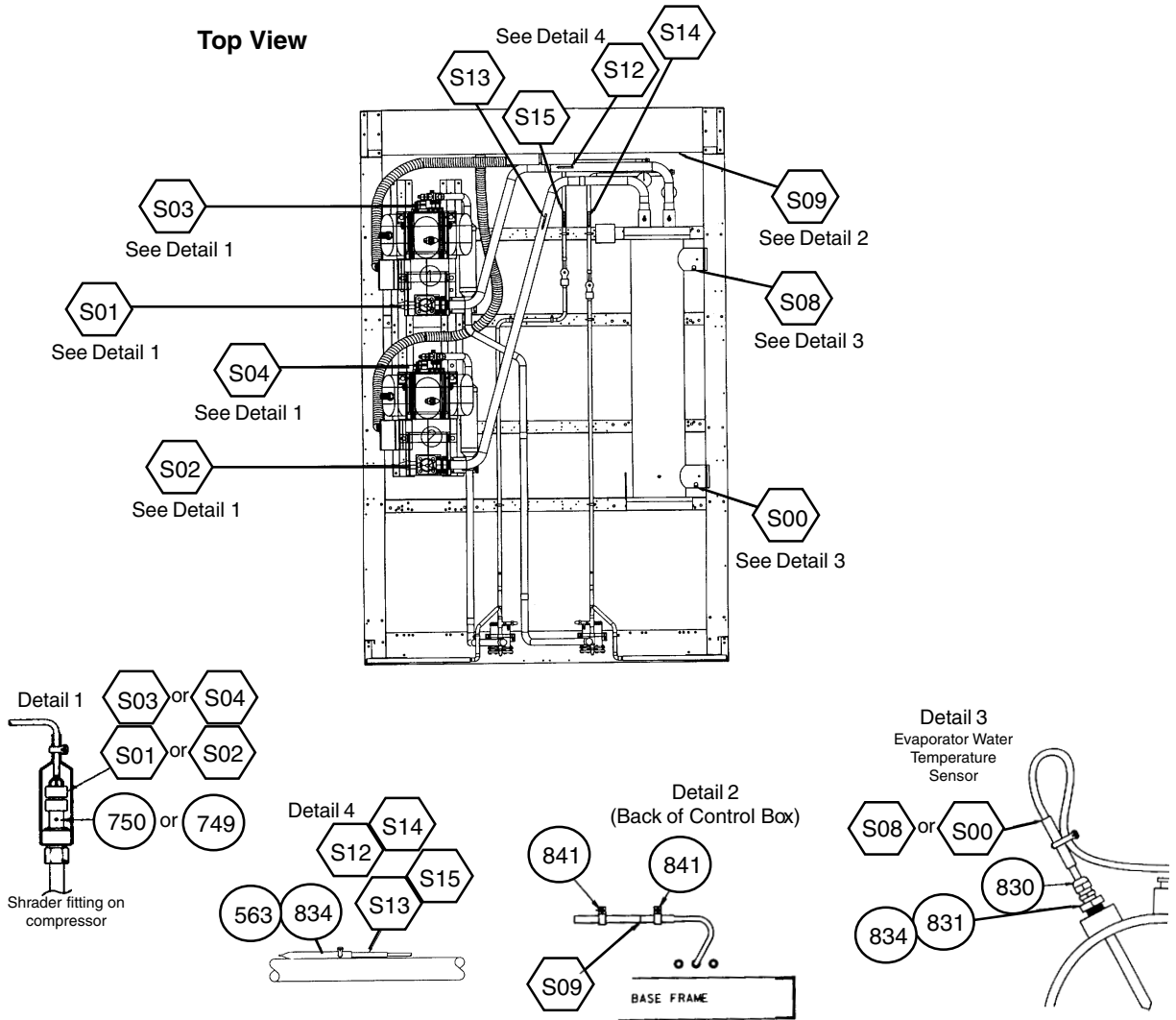
Ref. No.	Description	Part Number	Qty.
955	Keypad Label	071742502	1
956	Keypad Display	065497201	1
959	Switch- 125V	071995301	3
960	Red LED Lamp	065810801	1
N/S	Mounting Channel with Outlet (C13=C)	074705402	1
N/S	Mounting Channel w/o Outlet (C13=Y)	074705401	1

Control Panel Components

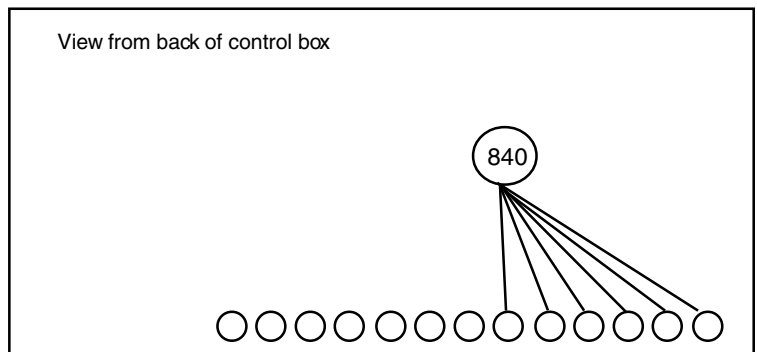
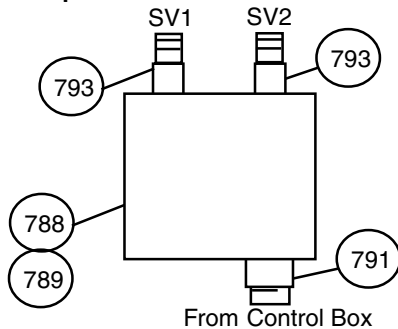
MicroTech Control Panel Components Unit Mounted Sensors & Controls, Solenoid Valve Junction Box

(Code 11= MAY, MCY, MDY, MYY)

Diagrams



Junction Box- SV1, SV2, Evap. Heater



Control Panel Components

MicroTech Control Panel

Unit Mounted Sensors & Controls, Solenoid Valve Junction Box

(Code 11= MAY, MCY, MDY, MYY)

Components

Controls and Hardware

Ref#	Description	Part Number	Qty.
563	Sensor Tube- Suction and Liquid Tube Sensors	070228901	4
788	Junction Box	047359001	1
789	Junction Box Cover	047359002	1
791	Conduit Fitting- 1/2"	001127500	1
793	Conduit Fitting- 3/8"	001127600	2
830	Fitting- .25"	735048015	1
831	Well- Evap Nozzle	047441506	1
834	Bulb Paste	735026315	N/A
840	Bushing	028387000	6
841	Outside Air Sensor Clamp	735045630	2

Sensors

Ref#	Description	Part Number	Qty.
S00	Evap. Leaving Water Temp. 30' Lead	073012003	1
S01 (750)	Low Pressure Transducer: Circuit #1	065816801	1
S02 (750)	Low Pressure Transducer: Circuit #2	065816801	1
S03 (749)	High Pressure Transducer: Circuit #1	065816802	1
S04 (749)	High Pressure Transducer: Circuit #2	065816802	1
S08	Evap. Entering Water Temp. 10' Lead	073012001	1
S09	Outside Air Temp. 10' Lead	073012001	1
S10 (N/S)	Unit % Amps (See SC Control in Control Box- Left Side)		
S12	Suction Line Temp. Circuit #1 10' Lead	073012001	1
S13	Suction Line Temp. Circuit #2 10' Lead	073012001	1
S14	Liquid Line Temp. Circuit #1 10' Lead	073012001	1
S15	Liquid Line Temp. Circuit #2 10' Lead	073012001	1

Cables

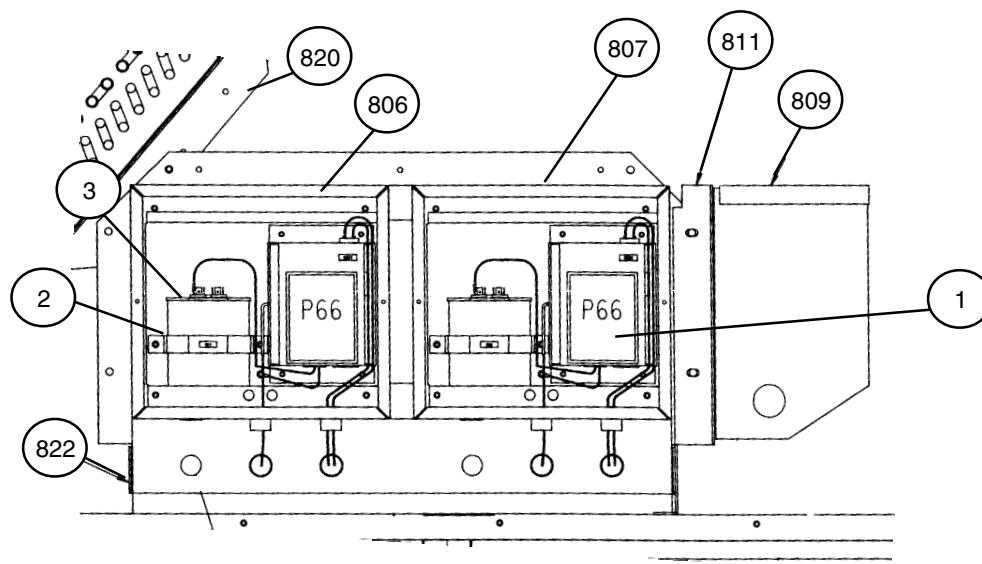
Cable Type	Cable Part Number	Cable Terminus	Sensors Included
J13	074355601	1, 2	None
POWER	074355602	3, 5	None
COM	074355610	4, 5	None
ADI- AH1	074355604	1, 2	S00, 01, 02, 03
ADI- AH2	074355605	1, 2	S04
ADI- AH3	074355606 (Code 26= **R or **B)	1, 2	S08, S09
ADI- AH3	074355616 (Code 26= **D or **C)	1, 2	S08, S09, S10
ADI- AH4	074355607 (Code 26= **B or **C)	1, 2	S12, S13, S14, S15
ADI- DH1	074355618	1, 2	None
ADI- DH2	074355619	1, 2	None

Terminus Key: 1= 9 pole Terminal block pn: 065499909; 2= Terminal block cover pn: 065500009; 3= Terminal Hsg, Female 4-Pin pn: 049264502; 4= Terminal Hsg. Female 6-Pin pn: 049264502; 5= Terminal Pin (qty. 3) pn: 049264702.

Control Panel Components

Speedtrol Components (C18= S)

UNT or MicroTech Controls



Ref. No.	Description	Part Number	Qty.
1	P66 Speedtrol Control	048445202	2*
2	Strap- Capacitor	330577701	2*
3	Capacitor- 30MFD, 440V	037516429	2*
806	Speedtrol Box- Circuit One	074308951	1
807	Speedtrol Box- Circuit Two	074308952	1
809	Transformer- 575V Only (C04= 37)	037533619	1
811	Bracket- 575V Only (C04= 37)	074717401	1
820	Angle- Speedtrol Boxes	074716301	1
822	Bottom Support Bracket	074891301	1
N/S	Weather Cover- Speedtrol Boxes	074716401	1

*Included in Speedtrol Boxes (806 & 807). Quantity is one per box.

Convenience Outlet (C13= C) and Gauges (C23= B)

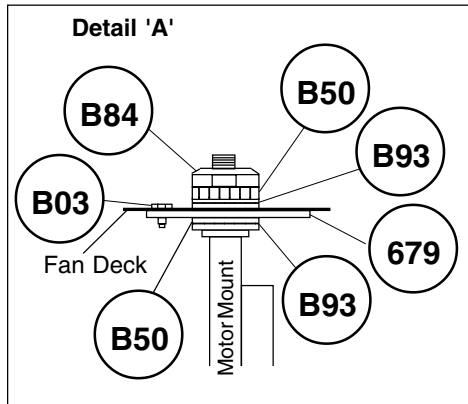
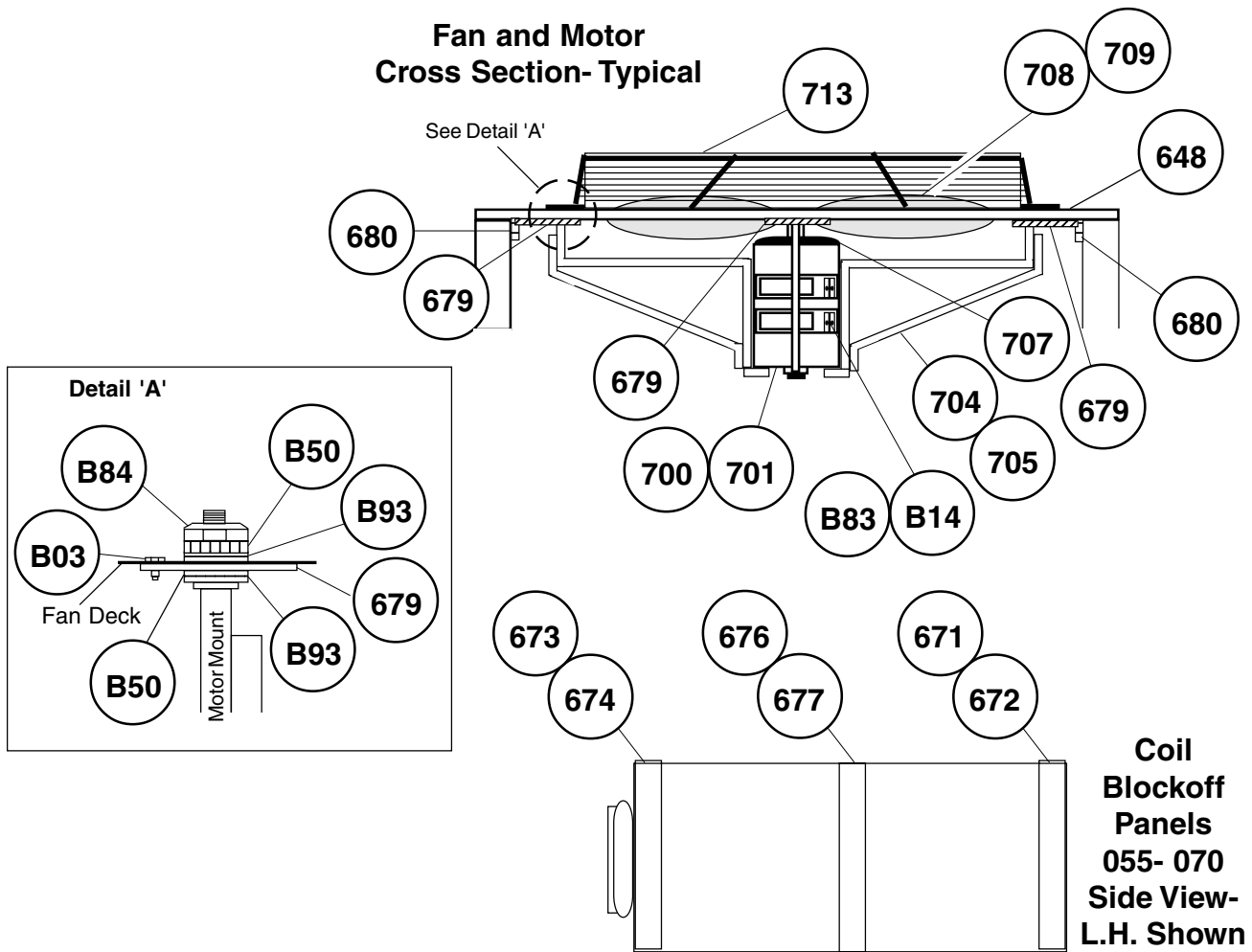
UNT or MicroTech Controls

Ref. No.	Description	Part Number	Qty.
N/S	Convenience Outlet Receptacle	025283700	1
N/S	Convenience Outlet Fuse- 10A	018961400	1
N/S	Convenience Outlet Fuse Holder- 15A	018690600	1
N/S	Suction Gauge- 800#	040159300	1
N/S	Discharge and Oil Gauges- 150#	017503500	2
N/S	Gauge Shutoff Valve	046742601	6

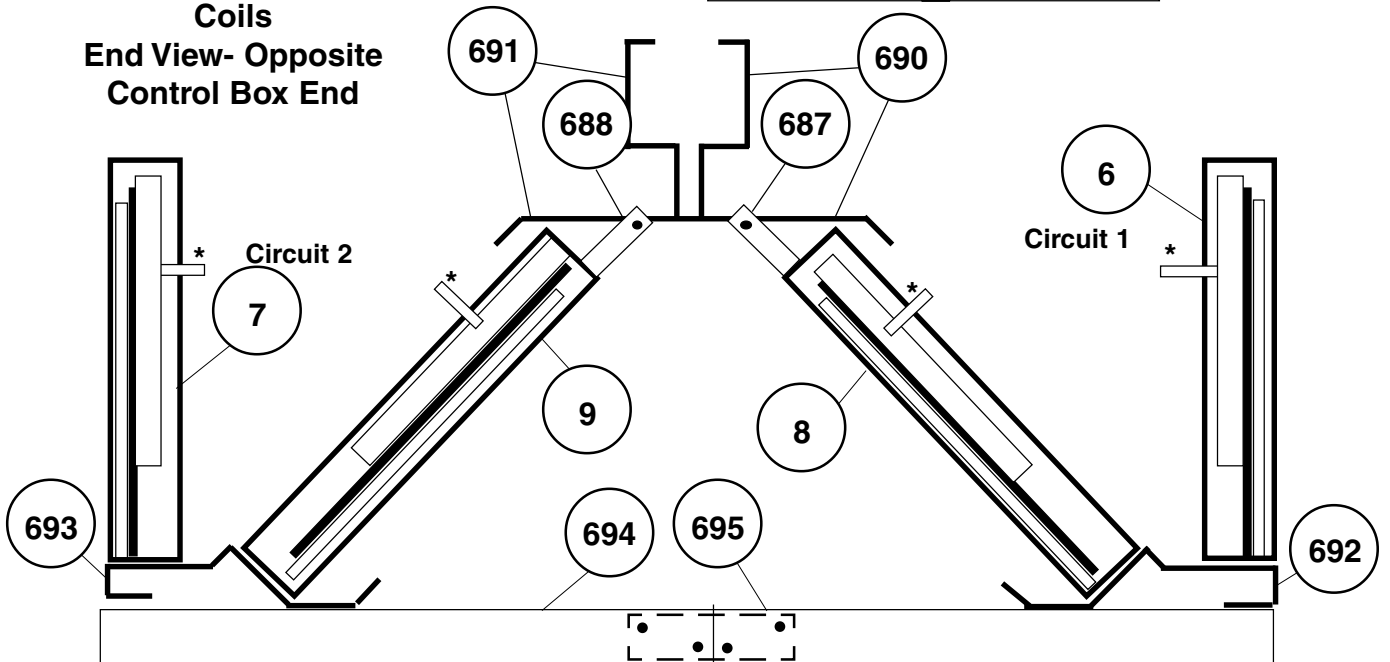
Condenser Section

AGR055, 060A

Fan and Motor Cross Section-Typical



Coils End View- Opposite Control Box End



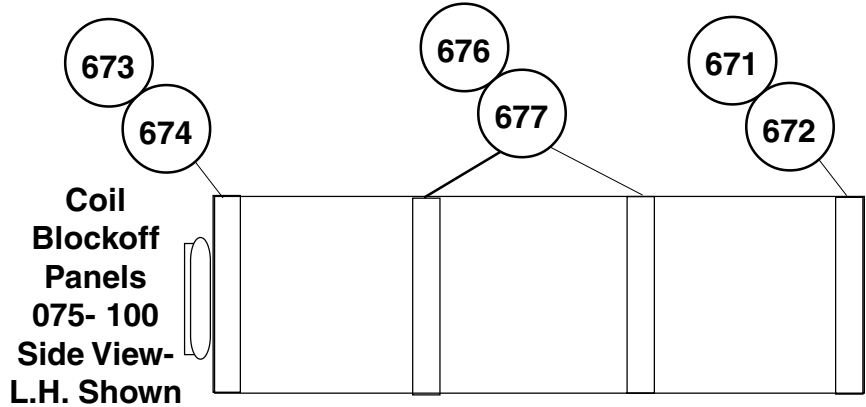
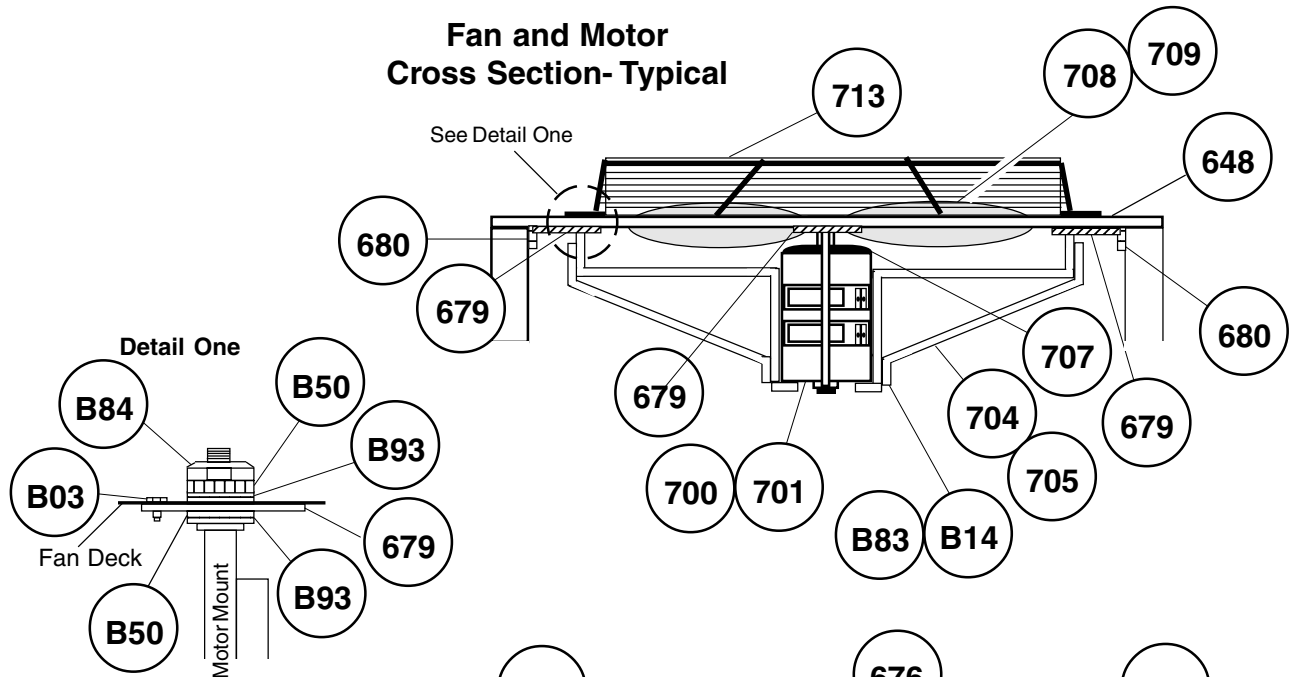
* Discharge header connection

NOTE: The coil hand (left or right) is based on the discharge header connection point.

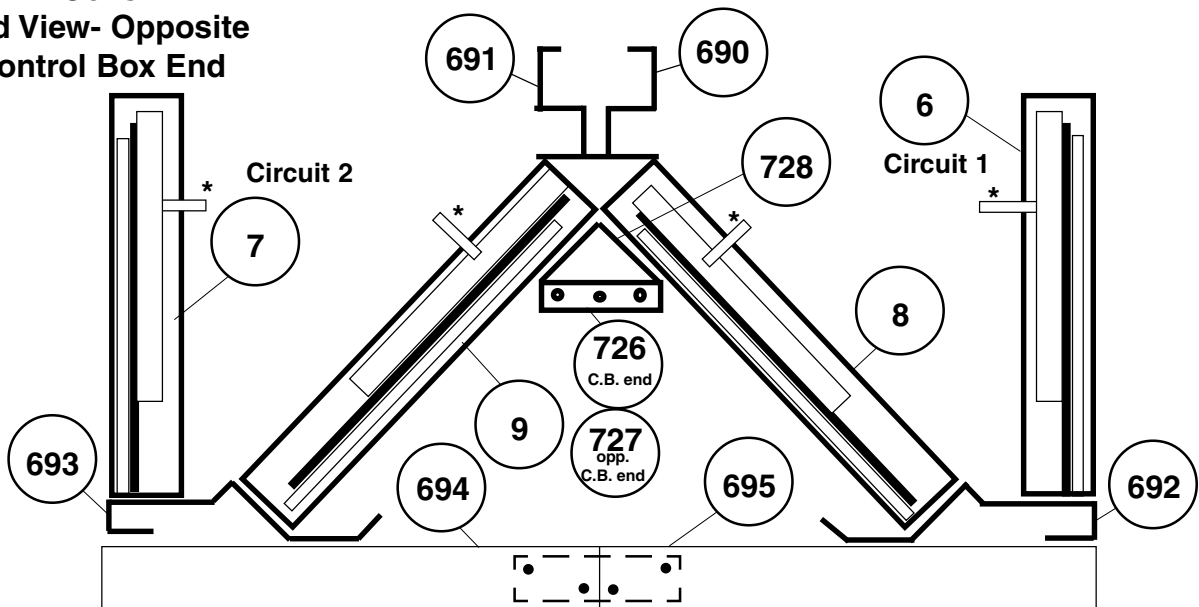
Condenser Section

AGR065, 070, 075, 080, 085, 090, 095, 100A

Fan and Motor Cross Section-Typical



Coils End View- Opposite Control Box End



* Discharge header connection

NOTE: The coil hand (left or right) is based on the discharge header connection point.

Condenser Section

Components- Condenser Fan Deck (less motors)

Condenser Fan Components- AGR055, 060, 065A

Ref#	Qty.	Description	Part Number
648	4	Fan Deck Panel	074702701
679	16	Venturi Plate	074680301
680	8	Venturi Angle	074680401
704	1	Motor Mount- 1.5 HP Motors	074711601
705	1	Motor Mount- 1.0 HP Motors	074711501
707	4	Rain Slinger	027471200
708	²	Fan Prop 28"- 1.5 HP Motors	072941302
709	²	Fan Prop 28"- 1.0 HP Motors	072972201
713	4	Fan Grille 32"	071755601

¹ 1.5HP is the standard motor, 1.0 HP is the Speedtrol Motor. For Units with Speedtrol (C18= S) use 2- 1.5 HP motors and 2- 1.0 HP motors. Units without Speedtrol (C18= F) use 4- 1.5 HP motors. Quantity is 2 per motor.

² 709 Fan Prop. is used with Speedtrol Motors. 708 is used with standard 1.5 HP motor. See note one for quantity information.

Condenser Fan Components- AGR070A

Ref#	Qty.	Description	Part Number
648	4	Fan Deck Panel	074702701
679	16	Venturi Plate	074680301
680	8	Venturi Angle	074680401
704	1	Motor Mount- 2.0 HP Motors	074711601
705	1	Motor Mount- 1.0 HP Motors	074711501
707	4	Rain Slinger	027471200
708	²	Fan Prop 28"- 2.0 HP Motors	073061401
709	²	Fan Prop 28"- 1.0 HP Motors	072972201
713	4	Fan Grille 32"	071755601

¹ 2.0HP is the standard motor, 1.0 HP is the Speedtrol Motor. For Units with Speedtrol (C18= S) use 2- 2.0 HP motors and 2- 1.0 HP motors. Units without Speedtrol (C18= F) use 4- 2.0 HP motors. Quantity is 2 per motor.

² 709 Fan Prop. is used with Speedtrol Motors. 708 is used with standard 2.0 HP motor. See note one for quantity information

Condenser Fan Components- AGR075, 80, 085, 090, 095, 100A

Ref#	Qty.	Description	Part Number
648	6	Fan Deck Panel	074702701
679	24	Venturi Plate	074680301
680	12	Venturi Angle	074680401
704	1	Motor Mount- 2.5 HP Motors	074711601
705	1	Motor Mount- 1.0 HP Motors	074711501
707	4	Rain Slinger	027471200
708	²	Fan Prop 28"- 2.0 HP Motors	073061401
709	²	Fan Prop 28"- 1.0 HP Motors	072972201
713	6	Fan Grille 32"	071755601

¹ 2.0HP is the standard motor, 1.0 HP is the Speedtrol Motor. For Units with Speedtrol (C18= S) use 4- 2.0 HP motors and 2- 1.0 HP motors. Units without Speedtrol (C18= F) use 6- 2.0 HP motors. Quantity is 2 per motor.

² 709 Fan Prop. is used with Speedtrol Motors. 708 is used with standard 2.0 HP motor. See note one for quantity information

Condenser Section

Components- Condenser Fan Motors

Motors- AGR 045- 065A

Ref#	Qty.	Description	Part Number
701	1	Standard 1.5 HP Motor (C20= 1)	
		208/230/460V	072937601
		575V	046744200
701	1	Totally- Enclosed 1.5 HP Motor (C20= 2)	
		208/230/460V	073000501
		575V	N/A
700	1	Speedtrol 1.0 HP Motor All Voltages	070989600

¹ When Speedtrol is used (C18= S) Quantity of Motors is 2 of each type. Standard Units (C18= F) use 4 each of the 1.5 HP Motor.

Motors- AGR 070A

Ref#	Qty.	Description	Part Number
701	1	Totally- Enclosed 2.0 HP Motor (C20= 2)	
		208/230/460V	073018701
		575V	N/A
700	1	Speedtrol 1.0 HP Motor All Voltages	070989600

¹ When Speedtrol is used (C18= S) Quantity of Motors is 2 of each type. Standard Units (C18= F) use 4 each of the 2.0 HP Motor. 2.0 HP motors are only available in Totally Enclosed form.

Motors- AGR 075- 100A

Ref#	Qty.	Description	Part Number
701	1	Totally- Enclosed 2.0 HP Motor (C20= 2)	
		208/230/460V	073018701
		575V	N/A
700	1	Speedtrol 1.0 HP Motor All Voltages	070989600

¹ When Speedtrol is used (C18= S) Quantity of Motors is 2 Speedtrol and 4 standard motors. Standard Units (C18= F) use 6 each of the 2.0 HP Motor. 2.0 HP motors are only available in Totally Enclosed form.

Condenser Section

Components- Sheet Metal and Hardware

Sheet Metal- AGR055, 060A

Ref#	Qty.	Description	Part Number
671	1	Rear Blockoff Panel- R.H. Coil	074592701
672	1	Rear Blockoff Panel- L.H. Coil	074592702
673	1	Front Blockoff Panel- R.H. Coil	074592501
674	1	Front Blockoff Panel- R.H. Coil	074592502
676	1	Middle Blockoff Panel- R. H. Coil	074592601
677	1	Middle Blockoff Panel- L. H. Coil	074592602
687	1	Top Coil Support- R.H. Coil	074592401
688	1	Top Coil Support- L.H. Coil	074592402
690	1	Cable Trough- R.H. Coil	074591701
691	1	Cable Trough- L.H. Coil	074591702
692	1	Side Rail- R.H. Coil	074591601
693	1	Side Rail- L.H. Coil	074591602
694	2	Cross Brace	074591801
695	2	Cross Brace	074591602

Sheet Metal- AGR065, 070A

Ref#	Qty.	Description	Part Number
671	1	Rear Blockoff Panel- R.H. Coil	074596701
672	1	Rear Blockoff Panel- L.H. Coil	074596702
673	1	Front Blockoff Panel- R.H. Coil	074596501
674	1	Front Blockoff Panel- R.H. Coil	074596502
676	1	Middle Blockoff Panel- R. H. Coil	074596601
677	1	Middle Blockoff Panel- L. H. Coil	074596602
690	1	Cable Trough- R.H. Coil	074591701
691	1	Cable Trough- L.H. Coil	074591702
692	1	Side Rail- R.H. Coil	074591601
693	1	Side Rail- L.H. Coil	074591602
694	2	Cross Brace	074591801
695	2	Cross Brace	074591602
726	1	Coil Support Bracket- C.B. End	074718001
727	1	Coil Support Bracket- Opp. C.B.End	074718101
728	2	Angle/Coil Support Bracket	074884401

Hardware- 055, 060, 065, 070A

Ref#	Qty.	Description	Part Number
B03	*	Screw	046093807
B14	16	Screw	040499035
B50	16	Flat Washer	040500316
B83	16	Lock Nut	074635402
B84	16	Lock Nut	074635403
B93	48	Washer	074635301

*varies

Condenser Section

Components- Sheet Metal and Hardware

Sheet Metal- AGR075, 080, 085, 090, 095, 100A

Ref#	Qty.	Description	Part Number
671	1	Rear Blockoff Panel- R.H. Coil	074596701
672	1	Rear Blockoff Panel- L.H. Coil	074596702
673	1	Front Blockoff Panel- R.H. Coil	074596501
674	1	Front Blockoff Panel- R.H. Coil	074596502
676	2	Middle Blockoff Panel- R. H. Coil	074596601
677	2	Middle Blockoff Panel- L. H. Coil	074596602
690	1	Cable Trough- R.H. Coil	074591701
691	1	Cable Trough- L.H. Coil	074591702
692	1	Side Rail- R.H. Coil	074597801
693	1	Side Rail- L.H. Coil	074597802
694	2	Cross Brace	074591801
695	2	Cross Brace	074591802
726	1	Coil Support Bracket- C.B. End	074718001
727	1	Coil Support Bracket- opp. end	074718101
728	2	Angle/Coil Support	071884401

Hardware- 075, 080, 085, 090, 095, 100A

Ref#	Qty.	Description	Part Number
B03	*	Screw	046093807
B14	32	Screw	040499035
B50	48	Flat Washer	040500308
B83	32	Lock Nut	074635402
B84	24	Lock Nut	074635403
B93	72	Washer	074635301

*varies

Condenser Section

Components- Coils

Condenser Coils AGR055, 060A Aluminum Fin (C19= 11)

Ref#	Description	Part No.
6	Coil- RH	074356003
7	Coil- LH	074356013
8	Coil- LH	074356013
9	Coil- RH	074356003

Condenser Coils AGR055, 060A Copper Fin (C19= 21)

Ref#	Description	Part No.
6	Coil- RH	074356023
7	Coil- LH	074356033
8	Coil- LH	074356033
9	Coil- RH	074356023

Condenser Coils AGR065, 070A Aluminum Fin (C19= 11)

Ref#	Description	Part No.
6	Coil- RH	074356004
7	Coil- LH	074356014
8	Coil- LH	074356014
9	Coil- RH	074356004

Condenser Coils AGR065, 070A Copper Fin (C19= 21)

Ref#	Description	Part No.
6	Coil- RH	074356024
7	Coil- LH	074356034
8	Coil- LH	074356034
9	Coil- RH	074356034

Condenser Coils AGR075, 080, 085, 090, 095, 100A Aluminum Fin (C19= 11)

Ref#	Description	Part No.
6	Coil- RH	074356005
7	Coil- LH	074356015
8	Coil- LH	074356015
9	Coil- RH	074356005

Condenser Coils AGR075, 080, 085, 090, 095, 100A Copper Fin (C19= 21)

Ref#	Description	Part No.
6	Coil- RH	074356025
7	Coil- LH	074356035
8	Coil- LH	074356035
9	Coil- RH	074356025

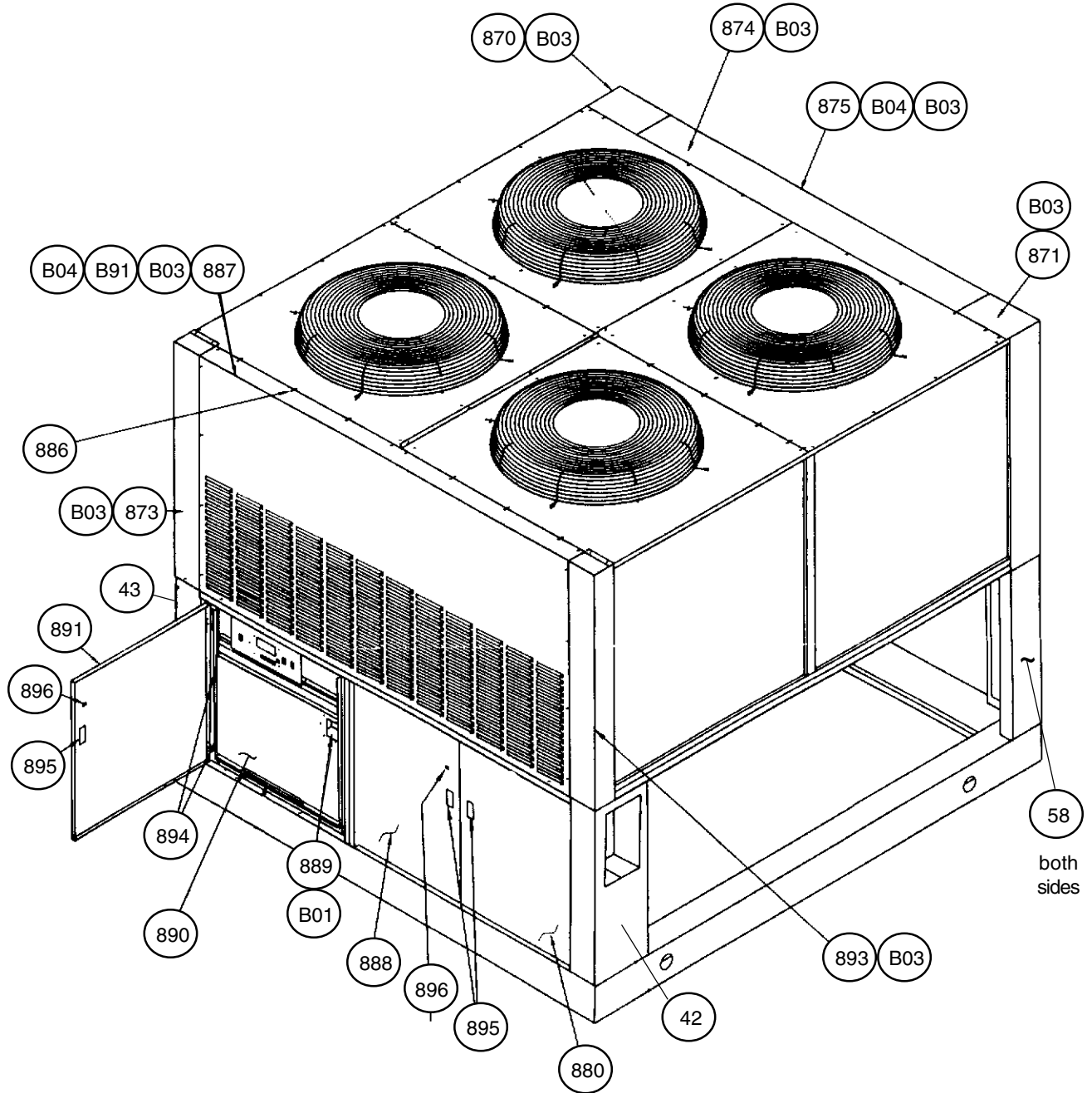
NOTE: The coil hand (left or right) is based on the discharge header connection point.

Cabinet

Panels, Control/Power Doors, Hardware- All Unit Sizes

Diagrams

(Four Fan Unit shown)



Cabinet

Panels, Control/Power Doors, Hardware Components

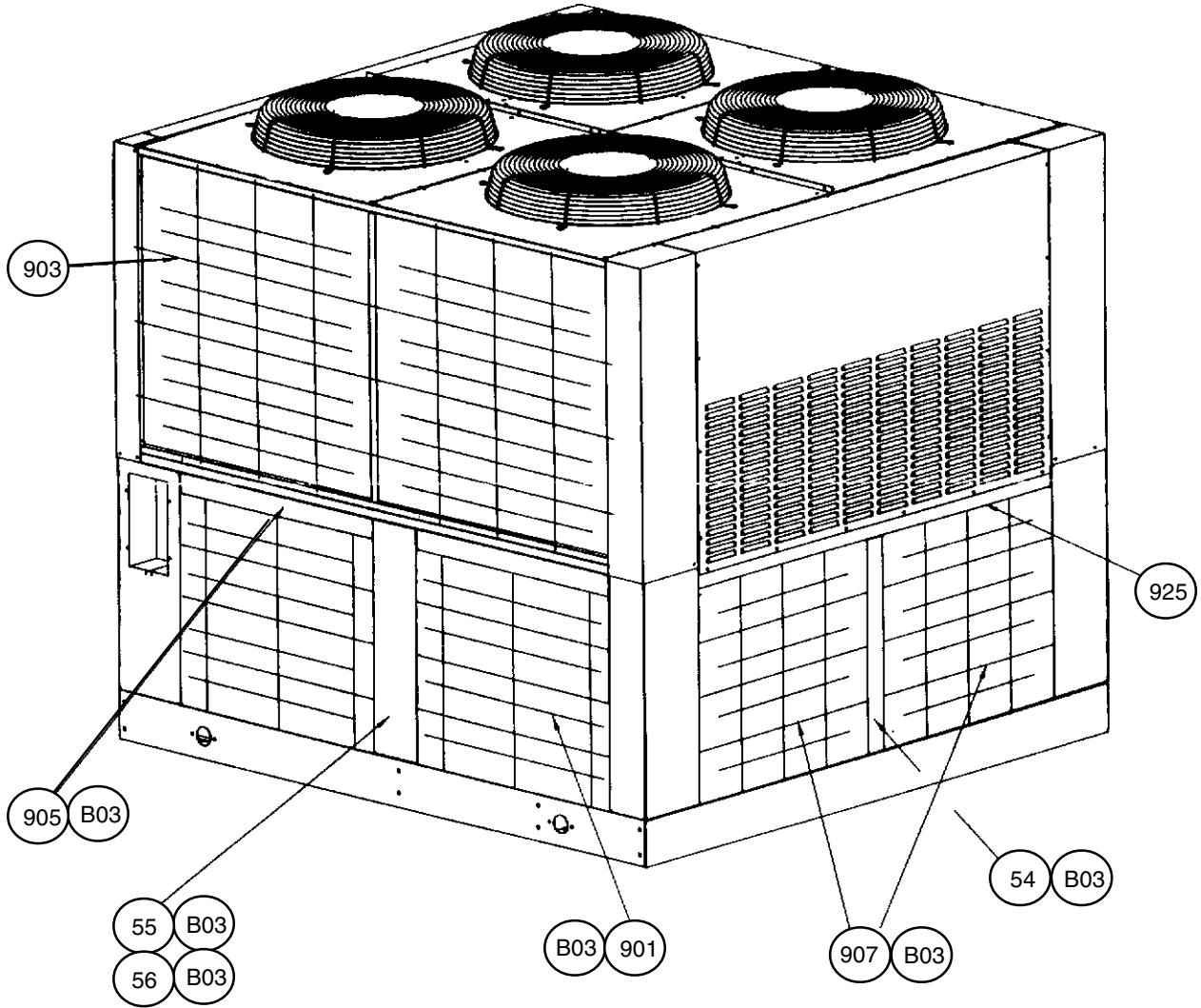
Ref. No.	Description	Part Number	Qty.
B01	Screw	046093802	48
B03	Screw	046093807	200+
B04	Screw	046093809	16
B91	Gasket	070199201	6 ft.
42	Front Corner Post- Right Hand	074702501	1
43	Front Corner Post- Left Hand	074702401	1
58	Rear Corner Post- L.H. & R.H.	074702301	2
870	Corner Panel, Back- L.H. AGR055, 060A	074594302	1
	Corner Panel, Back- L.H. AGR065- 100A	074598602	1
871	Corner Panel, Back- R.H. AGR055, 060A	074594301	1
	Corner Panel, Back- R.H. AGR065- 100A	074598601	1
873	Corner Panel, Front- L.H. AGR055, 060A	074593702	1
	Corner Panel, Front- L.H. AGR065- 100A	074599402	1
874	Top Panel, Rear AGR065- 100A only	074714601	1
875	Louvered Back Panel AGR055, 060A	074594201	1
	Louvered Back Panel AGR065- 100A	074598701	1
880	R.H. Power Panel Door	074707801	1
886	Top Panel, Front AGR065- 100A only	074714701	1
887	Front Panel AGR055, 060A	074593801	1
	Front Panel AGR065- 100A	074599301	1
888	L.H. Power Panel Door	074707701	1
889	Dead Door Reinforcement	074708801	1
890	Control Panel Dead Door	074708701	1
891	Control Panel Door	074707101	1
893	Corner Panel, Front- R.H. AGR055, 060A	074593701	1
	Corner Panel, Front- R.H. AGR065- 100A	074599401	1
894	Hinge- 2"	032457700	2
895	Fastener- Door	047135602	3
896	Lock w/Key	001157200	2

Cabinet

Coil Guards, Base Frame Guards, Hardware

Diagram

(AGR 055- 070A Shown)



Cabinet

Coil Guards, Base Frame Guards, Hardware Components

AGR 055, 060, 065, 070A

Base Frame Guards (C17= A) With Gauges (C23=B)

Ref. No.	Description	Part Number	Qty.
B03	Screw	046093807	8/guard
54	Bracket- Rear Grille Support	074710501	1
55	Support- Base Grille	074715001	1
56	Support- Base Grille with Gauge Holes	074714801	1
901	Grille- Base, Unit Sides	046739301	4
905	Grille Filler Channel	074710701	4
907	Grille- Base, Rear w/90° Bend	074514201	2
925	Back Rail	074593901	1

Base Frame Guards (C17= A) Without Gauges (C23=Y)

Ref. No.	Description	Part Number	Qty.
B03	Screw	046093807	8/guard
54	Bracket- Rear Grille Support	074710501	1
55	Support- Base Grille	074715001	2
901	Grille- Base, Unit Sides	046739301	4
905	Grille Filler Channel	074710701	4
907	Grille- Base, Rear w/90° Bend	074514201	2
925	Back Rail	074593901	1

Vertical Condenser Coil Guards (C17= G) With or Without Gauges (C23= B or Y)

Ref. No.	Description	Part Number	Qty.
903	Coil Guard- AGR055, 060A	049119301	4
	Coil Guard- AGR065, 070A	074711401	4
925	Back Rail	074593901	1

Cabinet

Coil Guards, Base Frame Guards, Hardware Components

AGR 055, 060, 065, 070A

Base Frame Guards and Vertical Coil Guards (C17= F) With Gauges (C23=B)

Ref. No.	Description	Part Number	Qty.
B03	Screw	046093807	8/guard
54	Bracket- Rear Grille Support	074710501	1
55	Support- Base Grille	074715001	1
56	Support- Base Grille with Gauge Holes	074714801	1
901	Grille- Base, Unit Sides	046739301	4
903	Coil Guard- AGR055, 060A	049119301	4
	Coil Guard- AGR065, 070A	074711401	4
905	Grille Filler Channel	074710701	4
907	Grille- Base, Rear w/90° Bend	074514201	2
925	Back Rail	074593901	1

Base Frame Guards and Vertical Coil Guards (C17= F) Without Gauges (C23=Y)

Ref. No.	Description	Part Number	Qty.
B03	Screw	046093807	8/guard
54	Bracket- Rear Grille Support	074710501	1
55	Support- Base Grille	074715001	2
901	Grille- Base, Unit Sides	046739301	4
903	Coil Guard- AGR055, 060A	049119301	4
	Coil Guard- AGR065, 070A	074711401	4
905	Grille Filler Channel	074710701	4
907	Grille- Base, Rear w/90° Bend	074514201	2
925	Back Rail	074593901	1

Cabinet

Coil Guards, Base Frame Guards, Hardware Components

AGR 075, 080, 085, 090, 095, 100A

Base Frame Guards (C17= A) With Gauges (C23=B)

Ref. No.	Description	Part Number	Qty.
B03	Screw	046093807	8/guard
54	Bracket- Rear Grille Support	074710501	1
55	Support- Base Grille	074715001	3
56	Support- Base Grille with Gauge Holes	074714801	1
901	Grille- Base, Unit Sides	046739301	6
905	Grille Filler Channel	074710701	6
907	Grille- Base, Rear w/90° Bend	074514201	2
925	Back Rail	074593901	1

Base Frame Guards (C17= A) Without Gauges (C23=Y)

Ref. No.	Description	Part Number	Qty.
B03	Screw	046093807	8/guard
54	Bracket- Rear Grille Support	074710501	1
55	Support- Base Grille	074715001	4
901	Grille- Base, Unit Sides	046739301	6
905	Grille Filler Channel	074710701	6
907	Grille- Base, Rear w/90° Bend	074514201	2
925	Back Rail	074593901	1

Vertical Condenser Coil Guards (C17= G) With or Without Gauges (C23= B or Y)

Ref. No.	Description	Part Number	Qty.
903	Coil Guard	049119301	6
925	Back Rail	074593901	1

Cabinet
Coil Guards, Base Frame Guards, Hardware
Components
AGR 075, 080, 085, 090, 095, 100A

Base Frame Guards and Vertical Coil Guards (C17= F)
With Gauges (C23=B)

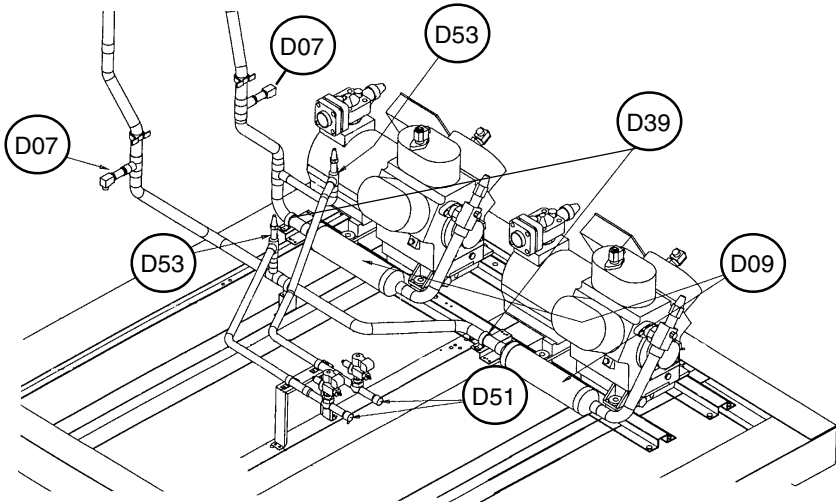
Ref. No.	Description	Part Number	Qty.
B03	Screw	046093807	8/guard
54	Bracket- Rear Grille Support	074710501	1
55	Support- Base Grille	074715001	5
56	Support- Base Grille with Gauge Holes	074714801	1
901	Grille- Base, Unit Sides	046739301	6
903	Coil Guard	074711401	6
905	Grille Filler Channel	074710701	6
907	Grille- Base, Rear w/90° Bend	074514201	2
925	Back Rail	074593901	1

Base Frame Guards and Vertical Coil Guards (C17= F)
Without Gauges (C23=Y)

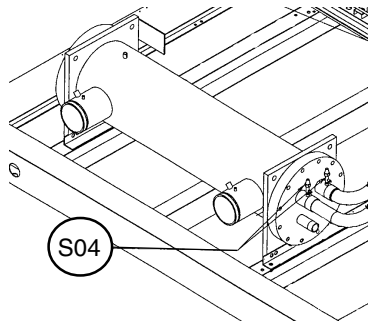
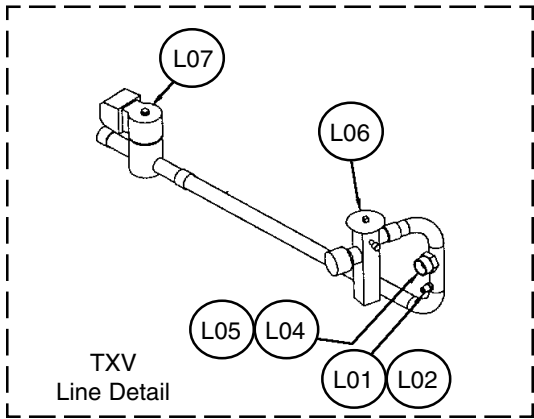
Ref. No.	Description	Part Number	Qty.
B03	Screw	046093807	8/guard
54	Bracket- Rear Grille Support	074710501	1
55	Support- Base Grille	074715001	4
901	Grille- Base, Unit Sides	046739301	6
903	Coil Guard	049119301	6
905	Grille Filler Channel	074710701	6
907	Grille- Base, Rear w/90° Bend	074514201	2
925	Back Rail	074593901	1

Piping Components Diagrams

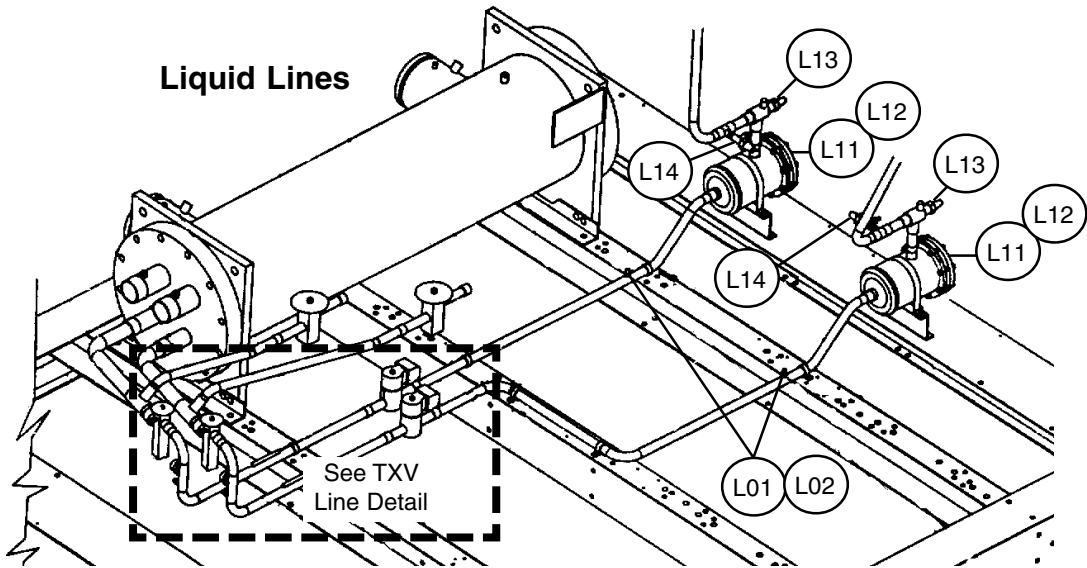
Discharge Lines



Suction Lines



Liquid Lines



Piping Components Components

AGR 055A, 060A

Ref. No.	Description	Part Number	Qty.
D07	Relief Valve	039441300	2
D09	Muffler- 1.625" Connection	047664305	2
D39	Muffler Bracket	074684501	2
D51	Hot Gas Valve- Electronic 120V	074696802*	2
D53	Hot Gas Shutoff Valve- 1.125"	019282100	2
L01	Valve Core	026541100	2
L02	Valve Cap	039242300	2
L04	Sight Glass Saddle	025329600	2
L05	Sight Glass	022427700	2
L06	Expansion Valve- 30 Ton	030569103	2
L07	Solenoid Valve- .875"	047931303	2
L11	Filter Drier	001360700 +	2
L12	Filter Drier Core	070339101+	2
L12	Filter Drier Gasket Kit	074783601 +	2
L13	Shut Off Valve- .875"	032193502	2
L14	Charge Valve- .375" X .375"	038689900	2
S04	Shut Off Valve	735039918	2

* Note: This valve is only used when Hot Gas Bypass is installed (C09= 2).

+ Note: These components are only used when Replaceable Core Filter Driers are selected (C14= R).

Piping Components Components

AGR 065A, 070A

Ref. No.	Description	Part Number	Qty.
D07	Relief Valve	039441300	2
D09	Muffler- 1.625" Connection	047664305	2
D39	Muffler Bracket	074684501	2
D51	Hot Gas Valve- Electronic 120V	074696802*	2
D53	Hot Gas Shutoff Valve- 1.125"	019282100	2
L01	Valve Core	026541100	2
L02	Valve Cap	039242300	2
L04	Sight Glass Saddle	025329600	2
L05	Sight Glass	022427700	2
L06	Expansion Valve- 36 Ton	074539201	2
L07	Solenoid Valve- .875"	047931303	2
L11	Filter Drier	001360700 +	2
L12	Filter Drier Core	070339101+	2
L12	Filter Drier Gasket Kit	074783601 +	2
L13	Shut Off Valve- .875"	032193502	2
L14	Charge Valve- .375" X .375"	038689900	2
S04	Shut Off Valve	735039918	2

* Note: This valve is only used when Hot Gas Bypass is installed (C09= 2).

+ Note: These components are only used when Replaceable Core Filter Driers are selected (C14= R).

Piping Components Components

AGR 075A

Ref. No.	Description	Part Number	Qty.
D07	Relief Valve	039441300	2
D09	Muffler- 1.625" Connection	047664305	2
D39	Muffler Bracket	074684501	2
D51	Hot Gas Valve- Electronic 120V	074696802*	2
D53	Hot Gas Shutoff Valve- 1.125"	019282100	2
L01	Valve Core	026541100	2
L02	Valve Cap	039242300	2
L04	Sight Glass Saddle	025329600	2
L05	Sight Glass	022427700	2
L06	Expansion Valve- 40 Ton	030569001	2
L07	Solenoid Valve- .875"	047931303	2
L11	Filter Drier	001360700 +	2
L12	Filter Drier Core	070339101+	2
L12	Filter Drier Gasket Kit	074783601 +	2
L13	Shut Off Valve- .875"	032193502	2
L14	Charge Valve- .375" X .375"	038689900	2
S04	Shut Off Valve	735039918	2

* Note: This valve is only used when Hot Gas Bypass is installed (C09= 2).

+ Note: These components are only used when Replaceable Core Filter Driers are selected (C14= R).

Piping Components Components

AGR 080A

Ref. No.	Description	Part Number	Qty.
D07	Relief Valve	039441300	2
D09	Muffler- 1.625" Connection	047664305	2
D39	Muffler Bracket	074684501	2
D51	Hot Gas Valve- Electronic 120V	074696802*	2
D53	Hot Gas Shutoff Valve- 1.125"	019282100	2
L01	Valve Core	026541100	2
L02	Valve Cap	039242300	2
L04	Sight Glass Saddle	025329600	2
L05	Sight Glass	022427700	2
L06	Expansion Valve-		
	Circuit One: 40 Ton	030569001	1
	Circuit One: 55 Ton	030569006	1
L07	Solenoid Valve- .875"	047931303	2
L11	Filter Drier- Circuit #1	001360700 +	1
L12	Filter Drier Core- Circuit #1	070339101+	1
L12	Filter Drier Gasket Kit- Circuit #1	074783601 +	1
L11	Filter Drier- Circuit #2	019190500 +	1
L12	Filter Drier Core- Circuit #2	070339101+	2
L12	Filter Drier Gasket Kit- Circuit #2	074783601 +	2
L13	Shut Off Valve- .875"	032193502	2
L14	Charge Valve- .375" X .375"	038689900	2
S04	Shut Off Valve	735039918	2

* Note: This valve is only used when Hot Gas Bypass is installed (C09= 2).

+ Note: These components are only used when Replaceable Core Filter Driers are selected (C14= R).

Piping Components Components

AGR 085A, 090A, 095A, 100A

Ref. No.	Description	Part Number	Qty.
D07	Relief Valve	039441300	2
D09	Muffler- 1.625" Connection	047664305	2
D39	Muffler Bracket	074684501	2
D51	Hot Gas Valve- Electronic 120V	074696802*	2
D53	Hot Gas Shutoff Valve- 1.125"	019282100	2
L01	Valve Core	026541100	2
L02	Valve Cap	039242300	2
L04	Sight Glass Saddle	025329600	2
L05	Sight Glass	022427700	2
L06	Expansion Valve- 55 Ton	030569006	2
L07	Solenoid Valve- .875"	047931303	2
L11	Filter Drier	019190500 +	2
L12	Filter Drier Core	070339101+	4
L12	Filter Drier Gasket Kit	074783601 +	4
L13	Shut Off Valve- .875"	032193502	2
L14	Charge Valve- .375" X .375"	038689900	2
S04	Shut Off Valve	735039918	2

* Note: This valve is only used when Hot Gas Bypass is installed (C09= 2).

+ Note: These components are only used when Replaceable Core Filter Driers are selected (C14= R).

Evaporator

Complete Assemblies and Components

Shell and Tube Evaporators- Complete Assemblies

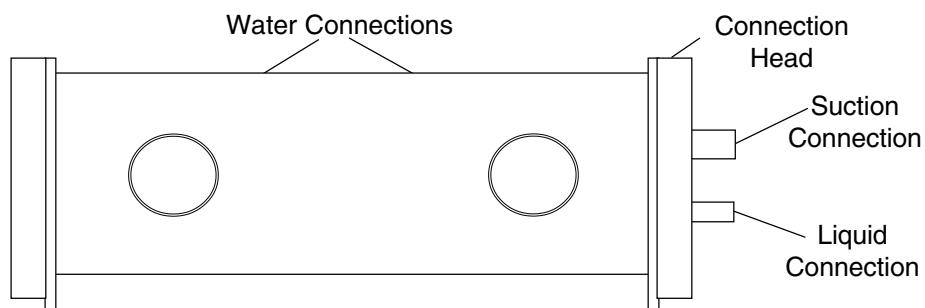
Unit Size	Model Number	Assembly Part Number	Suction O.D.	Liquid O.D.	Water Nozzle O.D.
055, 060, 065	E1204D2	074676401	2.125"	1.375"	4"
070	E1204D1	074676501	2.125"	1.375"	5"
075, 080, 085	E1255D1	074714301	2.625"	1.375"	5"
090, 095, 100	E1455D1	074714201	2.625"	1.375"	5"

All Evaps have 300 Psig. Refrigerant Design Pressure and 175 Psig. Water Design Pressure

Components

Model Number	Head Gaskets	Conn. Head	Cond. Tube	Water Connection Coupling	Water Coupling Gasket	Heater 420W, 120V
E1204D2			**	070193904 (2)	070194004 (2)	735079719 (1)
E1204D1			**	735049324 (2)	070194008 (2)	735079719 (1)
E1255D1			**	735049324 (2)	070194008 (2)	735079719 (1)
E1455D1	(1)		**	735049324 (2)	070194008 (2)	735079719 (1)

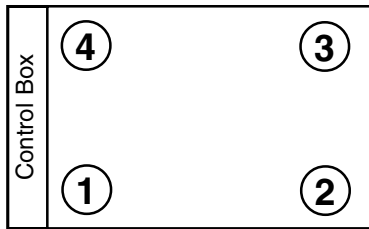
**The tubes in this evaporator are internally rolled and cannot be replaced in the field. The evaporator must be replaced.



Vibration Isolators

Part Numbers- Location

AGR 055- 100A



Ref#	Qty.	Description	Part Number
1	1	Spring Isolator	047792932
2	1	Spring Isolator	047792932
3	1	Spring Isolator	047792932
4	1	Spring Isolator	047792932

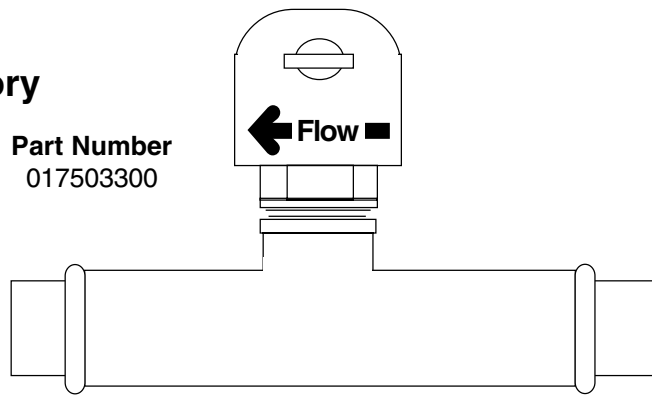
Flow Switch

Field Installed Accessory

Description

Flow Switch- 150PSI, Paddle Type
May be used in pipe sizes 3" to 8"

Part Number
017503300



Alarm Bell Kit

Field Installed Accessory

Description

Alarm Bell Kit Includes:

Alarm Bell, Mounting Plate, Hardware

Part Number

058090100

