

J2 - RELAY BOARD

- 1 - CH
- 2 - WVP
- 3 - LLSP
- 4 - ECLP
- 5 - ULP
- 6 - EBVP
- 7 - 8EV
- 8 - BZ
- 9 - WR
- 10 - SCB
- 11 - DAS
- 12 - FP
- 13 - HSPP
- 14 - HSPN
- 15 - EVD
- 16 - EVC
- 17 - EVB
- 18 - EVA

TO J2
18 PIN CONN
ON BOARD
RELAY

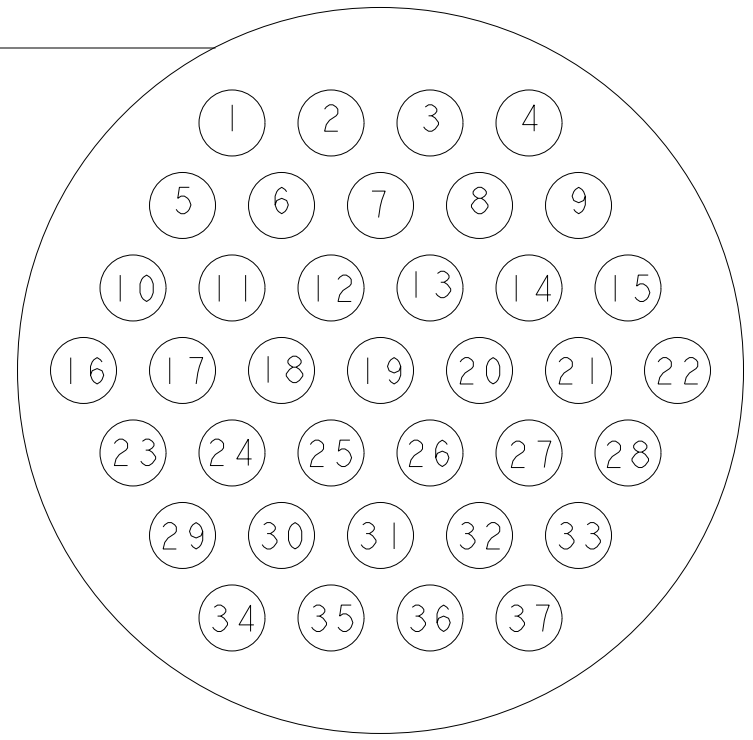
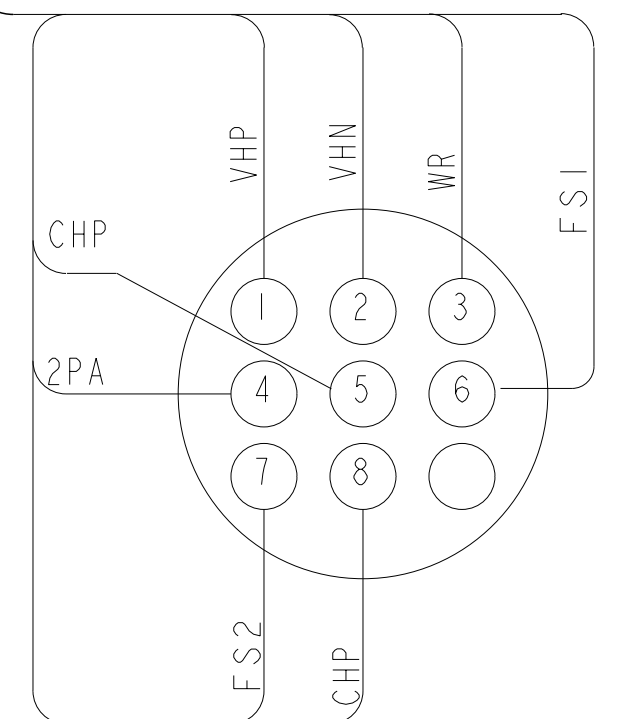
TO SHEET 2
INTERCONNECT
HARNESS

TO 36
PIN CONN J3
ON RELAY
BOARD

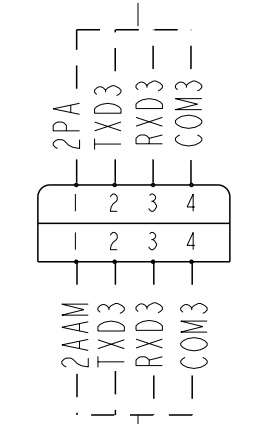
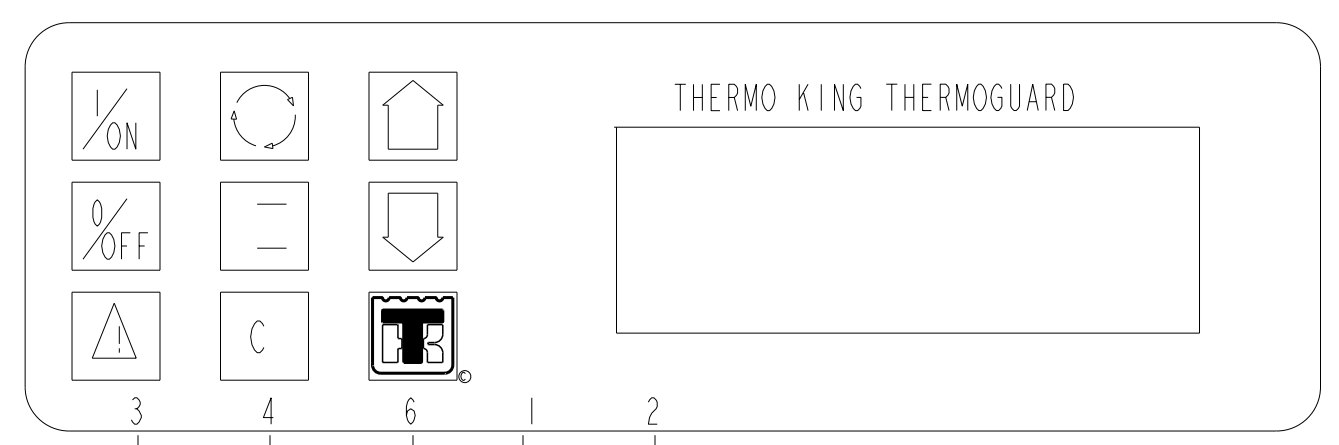
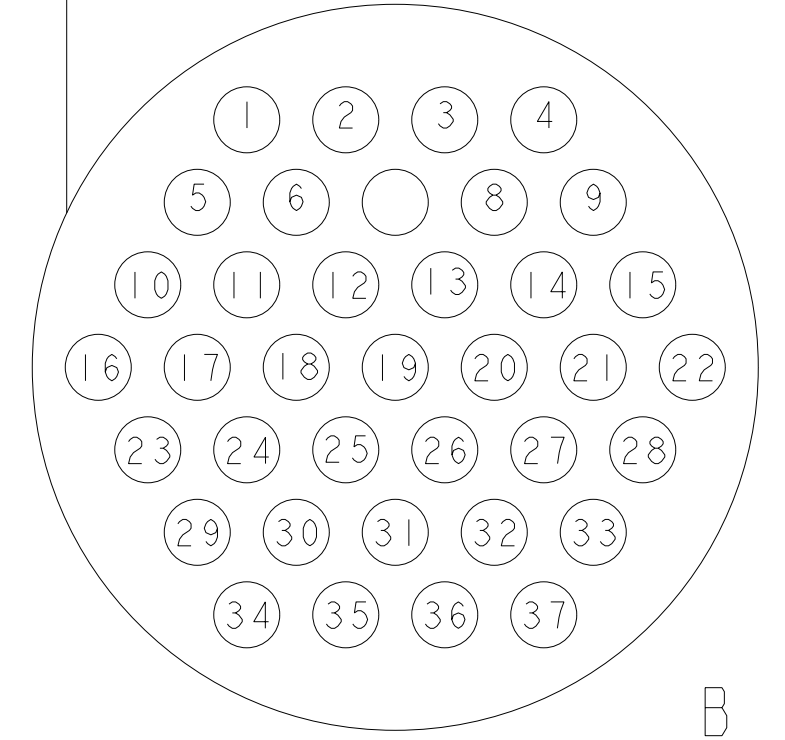
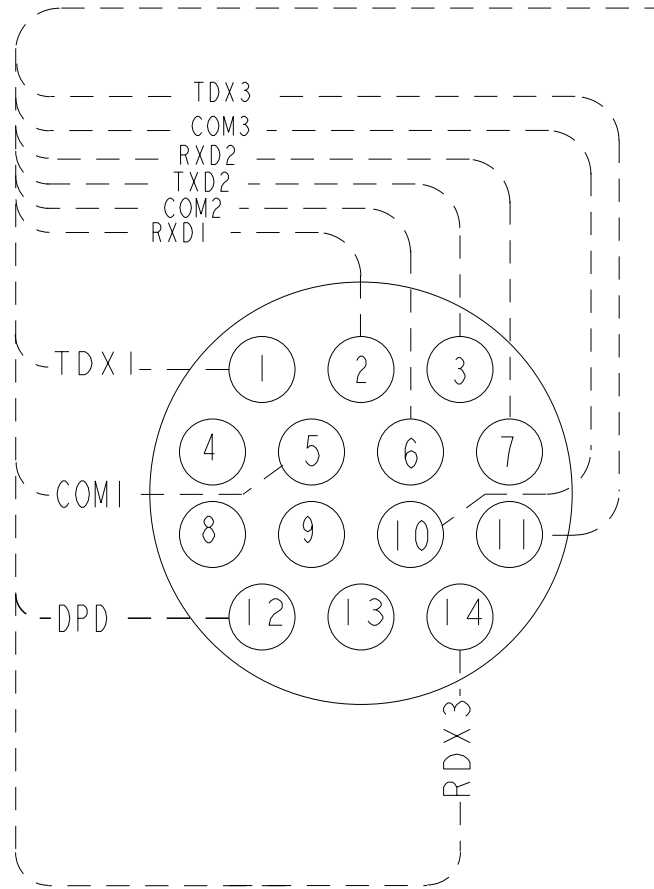
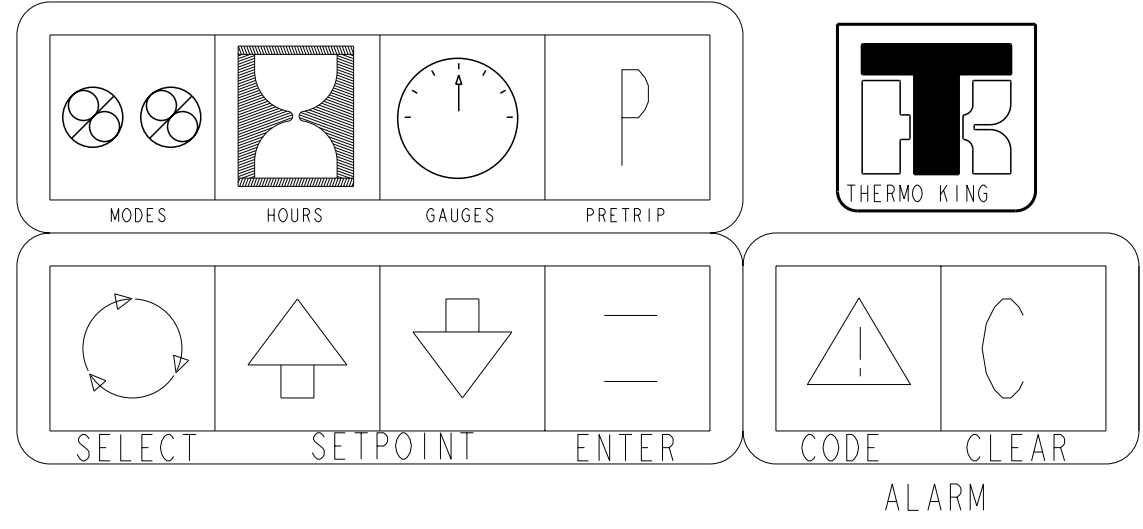
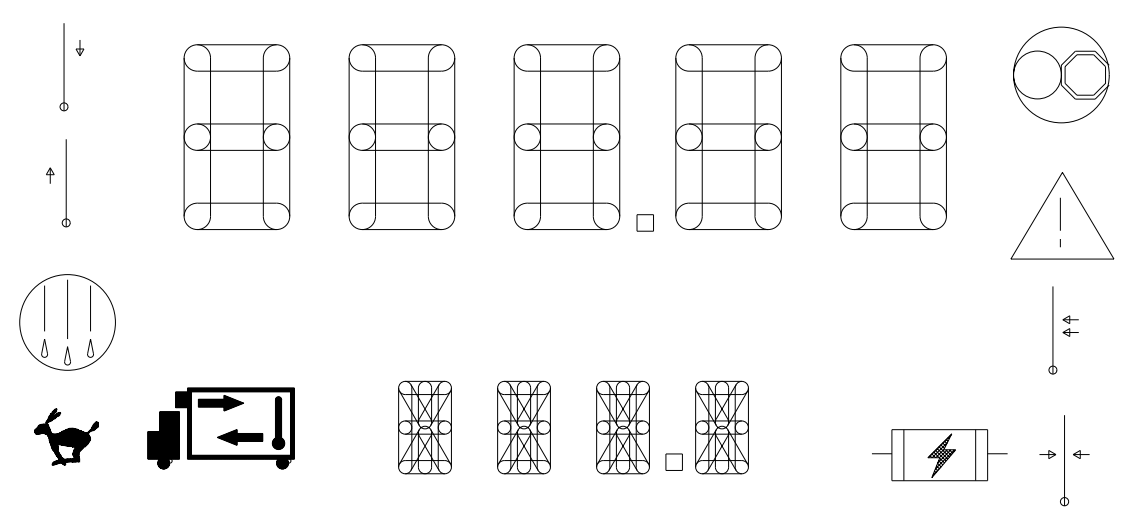
- 1 - IOP
- 2 - 29P
- 3 - I4P
- 4 - HGGP
- 5 - MVP
- 6 - SRP
- 7 - FS2
- 8 - DS
- 9 -
- 10 - OLC
- 11 - 20B
- 12 - CHP
- 13 - 8F
- 14 - SMX
- 15 - HC
- 16 - HPCI
- 17 - 2PA
- 18 - 7EHA
- 19 - VHP
- 20 - 7K
- 21 - RRP
- 22 - PHP
- 23 - OLS
- 24 - FS1
- 25 - REM
- 26 - VHN
- 27 - SCR
- 28 - YAN
- 29 - MC
- 30 - 8EC
- 31 - CSP
- 32 - ALP
- 33 - 8E
- 34 - FLS
- 35 -
- 36 -

INTERCONNECT HARNESS

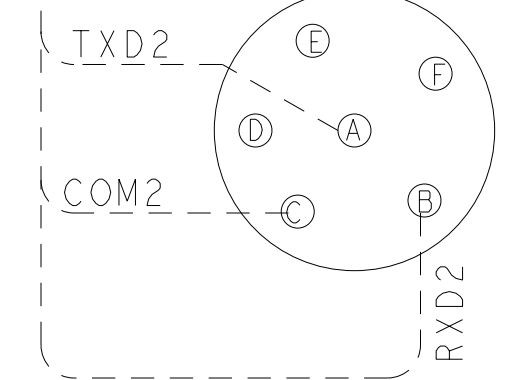
SENSOR HARNESS



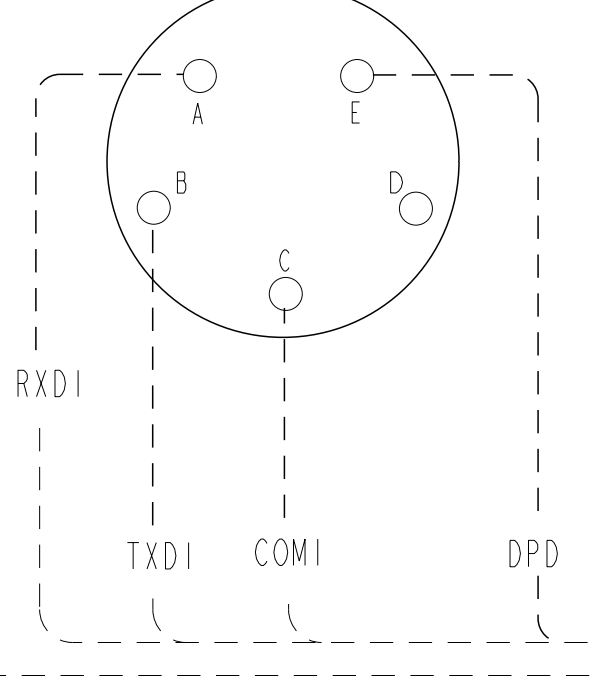
THERMOGUARD uP VI₁



OPTIONAL REMOTE CONTROL



SATELLITE COMMUNICATIONS CONNECTOR (OPTIONAL)



COMM. OPT.

CONN 37A

- 1 - NOT USED
- 2 - NOT USED
- 3 - RTP
- 4 - DTP
- 5 - SPI
- 6 - DPI
- 7 - RTN
- 8 - DTN
- 9 - CTP
- 10 - HSPP

SENSOR HARNESS

- 11 - HSPN
- 12 - NOT USED
- 13 - NOT USED
- 14 - CTN
- 15 - KEYING PIN
- 16 - CLS
- 17 - HC
- 18 - SMX
- 19 - ST2N
- 20 - ST2P
- 21 - STIN
- 22 - STIP
- 23 - SCB
- 24 - 8EC
- 25 - REM
- 26 - YAN
- 27 - WTP
- 28 - WTN
- 29 - DAS
- 30 - MC

CONN 37B

- 1 - NOT USED
- 2 - NOT USED
- 3 - CHP
- 4 - MVP
- 5 - LLSP
- 6 - BZ
- 7 - KEYING PIN
- 8 - RRP
- 9 - WVP
- 10 - HGGP

INTERCONNECT HARNESS

- 11 - SRP
- 12 - OLC
- 13 - OLS
- 14 - PHP
- 15 - I4P
- 16 - EBVP
- 17 - 29P
- 18 - 20B
- 19 - FP
- 20 - 7K
- 21 - ALP
- 22 - ULP
- 23 - EVD
- 24 - 8F
- 25 - HPCI
- 26 - 8E
- 27 - 7EHA
- 28 - ECLP
- 29 - EVC
- 30 - DS
- 31 - FLS
- 32 - ER
- 33 - IOP
- 34 - CH
- 35 - 8EV
- 36 - EVB
- 37 - EVA

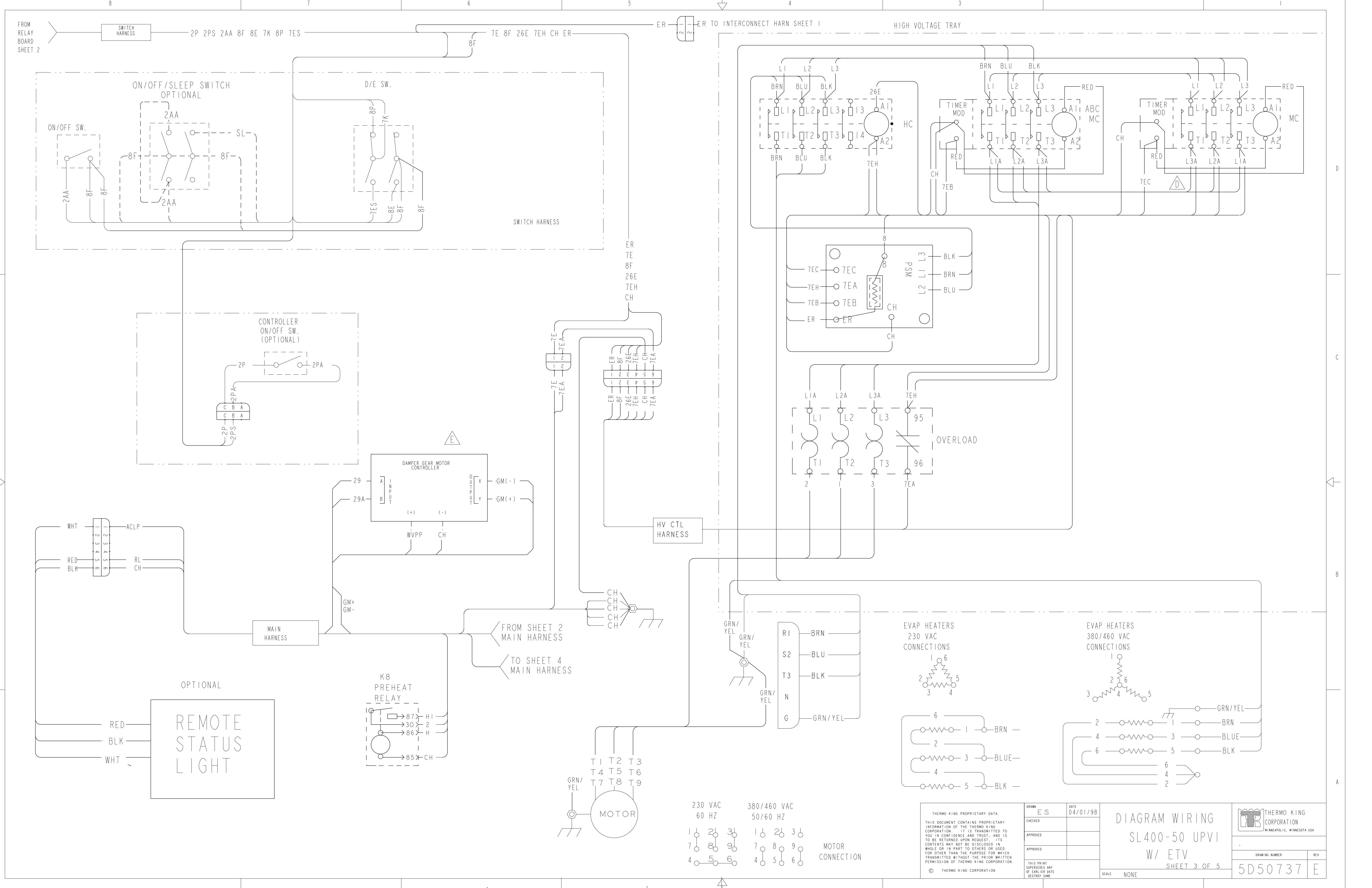
THERMO KING PROPRIETARY DATA
THIS DOCUMENT CONTAINS PROPRIETARY INFORMATION OF THE THERMO KING CORPORATION. IT IS TRANSMITTED TO YOU IN CONFIDENCE AND TRUST, AND IS TO BE RETURNED UPON REQUEST. ITS CONTENTS MAY NOT BE DISCLOSED IN WHOLE OR IN PART TO OTHERS OR USED FOR OTHER THAN THE PURPOSE FOR WHICH TRANSMITTED WITHOUT THE PRIOR WRITTEN PERMISSION OF THERMO KING CORPORATION.
© THERMO KING CORPORATION

DRAWN	ES	DATE	04/01/98
CHECKED			
APPROVED	SH	DATE	11/05/98
APPROVED			
THIS PRINT SUPERSEDES ANY OF EARLIER DATE DESTROY SAME			

DIAGRAM WIRING
SL400-50 UPVI
W/ ETV
SHEET 1 OF 5

THERMO KING CORPORATION MINNEAPOLIS, MINNESOTA USA	
(5D50756)	
DRAWING NUMBER	REV
5D50737	E

SCALE NONE



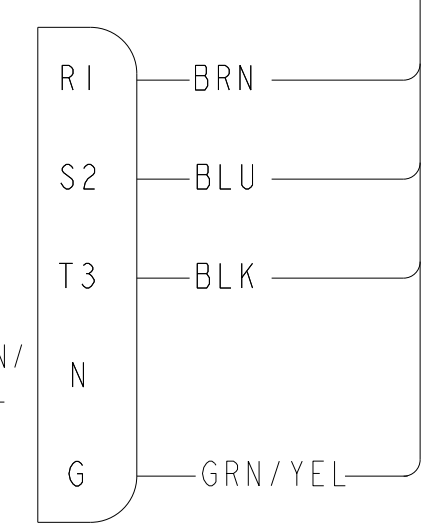
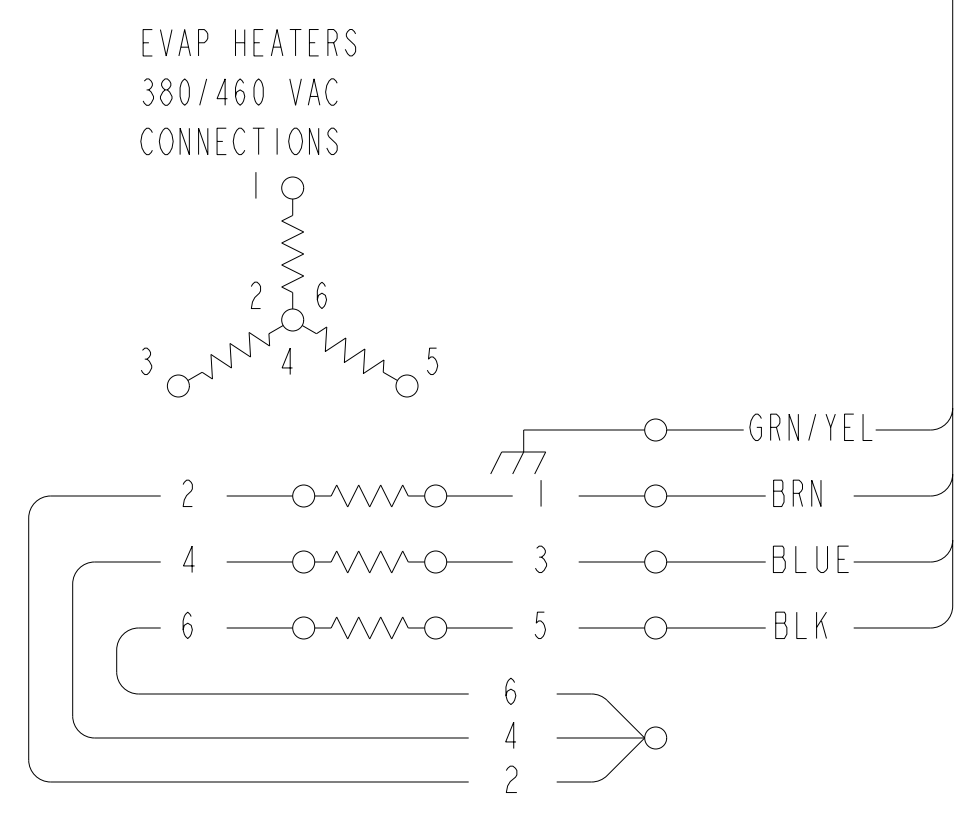
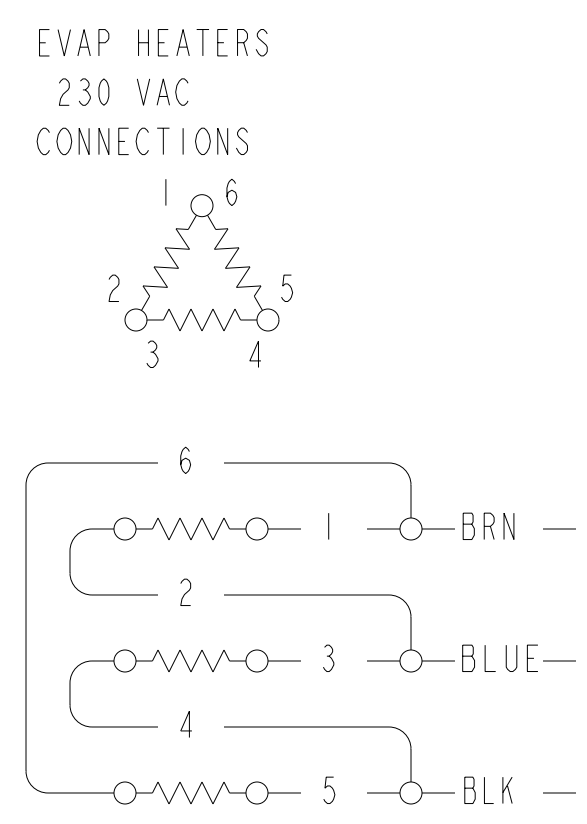
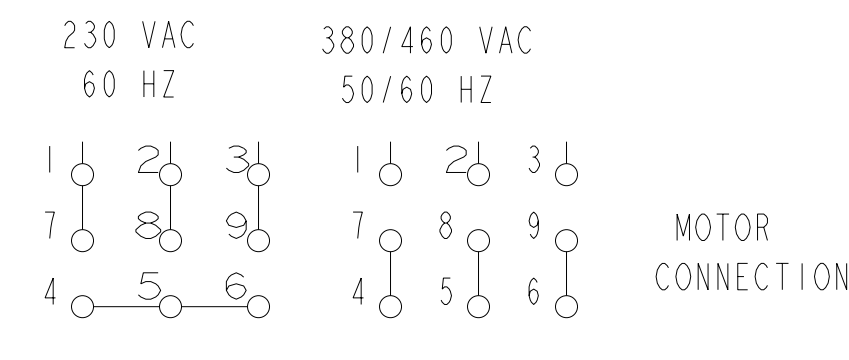
THIS DOCUMENT CONTAINS PROPRIETARY INFORMATION OF THE THERMO KING CORPORATION. IT IS TRANSMITTED TO YOU IN CONFIDENCE AND TRUST, AND IS TO BE RETURNED UPON REQUEST. ITS CONTENTS MAY NOT BE DISCLOSED IN WHOLE OR IN PART TO OTHERS OR USED FOR OTHER THAN THE PURPOSE FOR WHICH TRANSMITTED WITHOUT THE PRIOR WRITTEN PERMISSION OF THERMO KING CORPORATION.

© THERMO KING CORPORATION

DRAWN	ES	DATE	04/01/98
CHECKED			
APPROVED			
APPROVED			
THIS PRINT SUPersedes ANY OF EARLIER DATE DESTROY SAME			

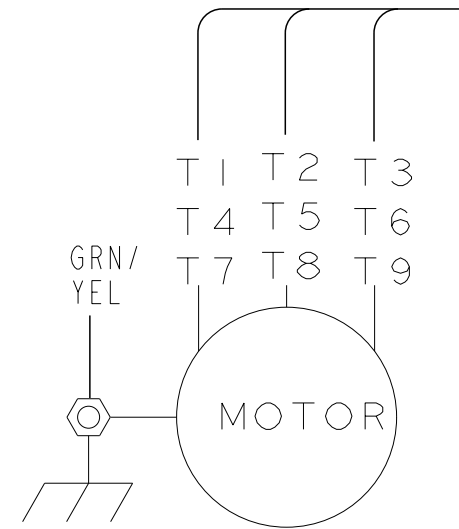
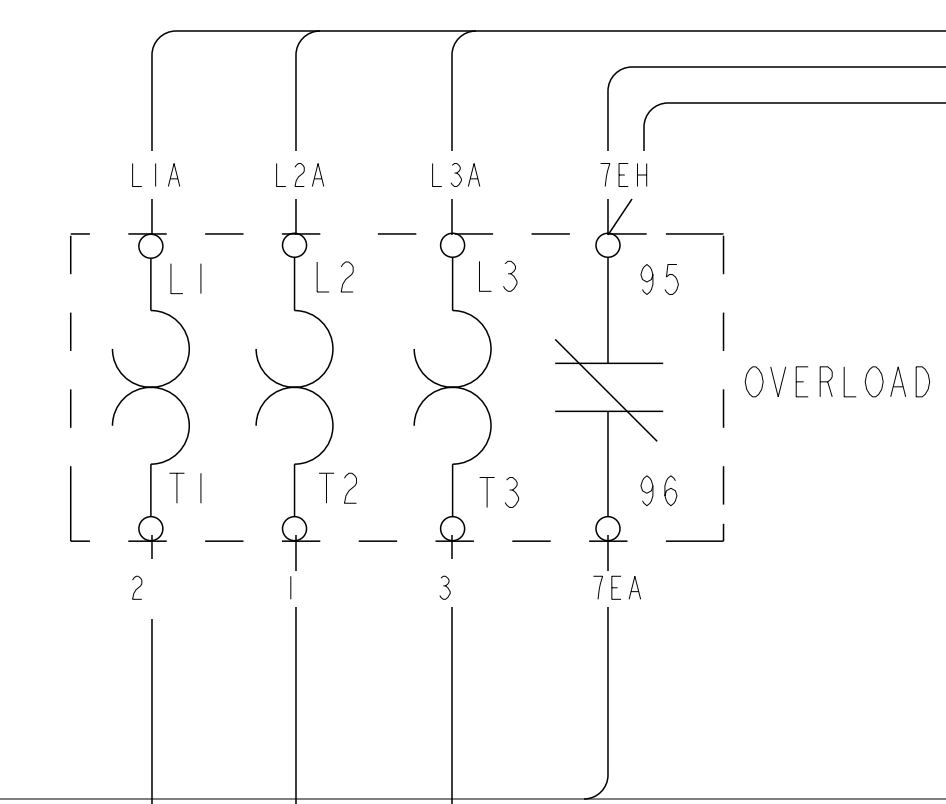
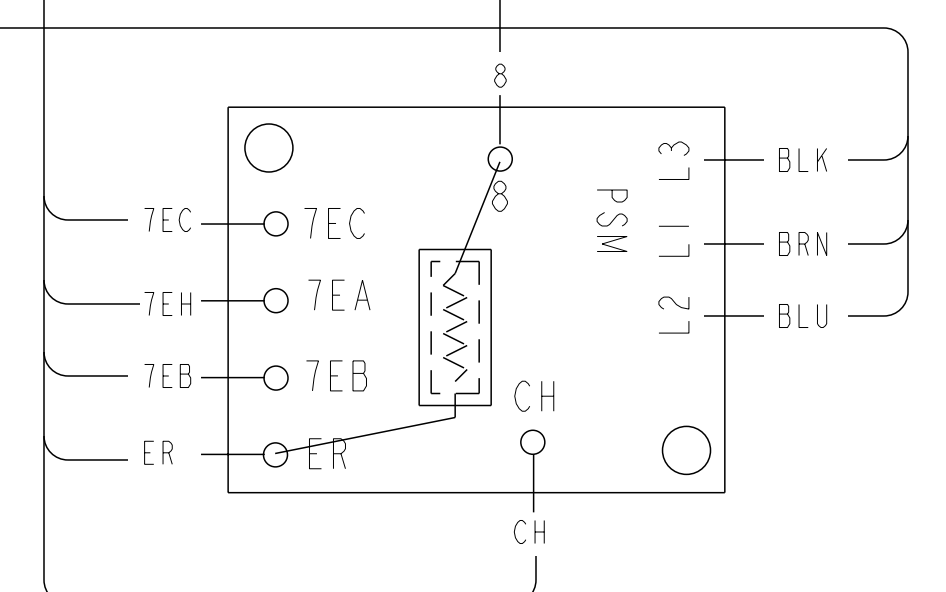
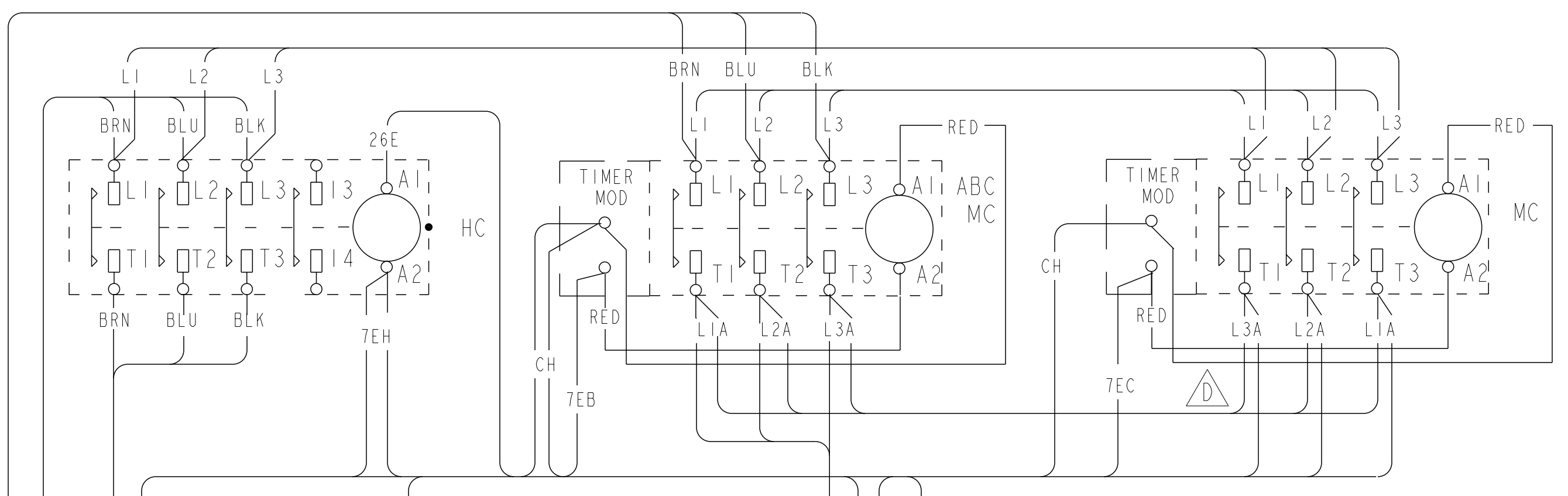
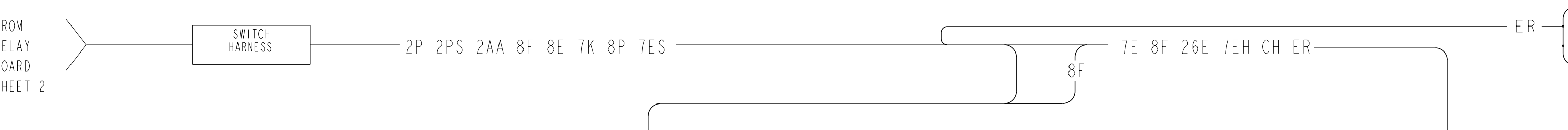
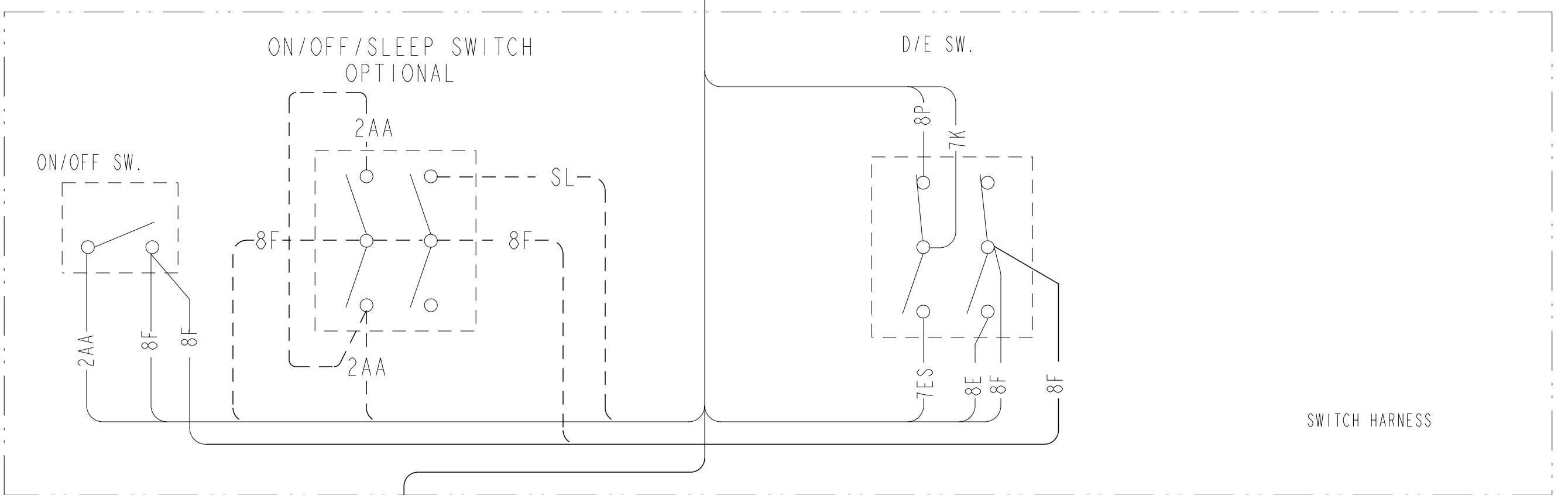
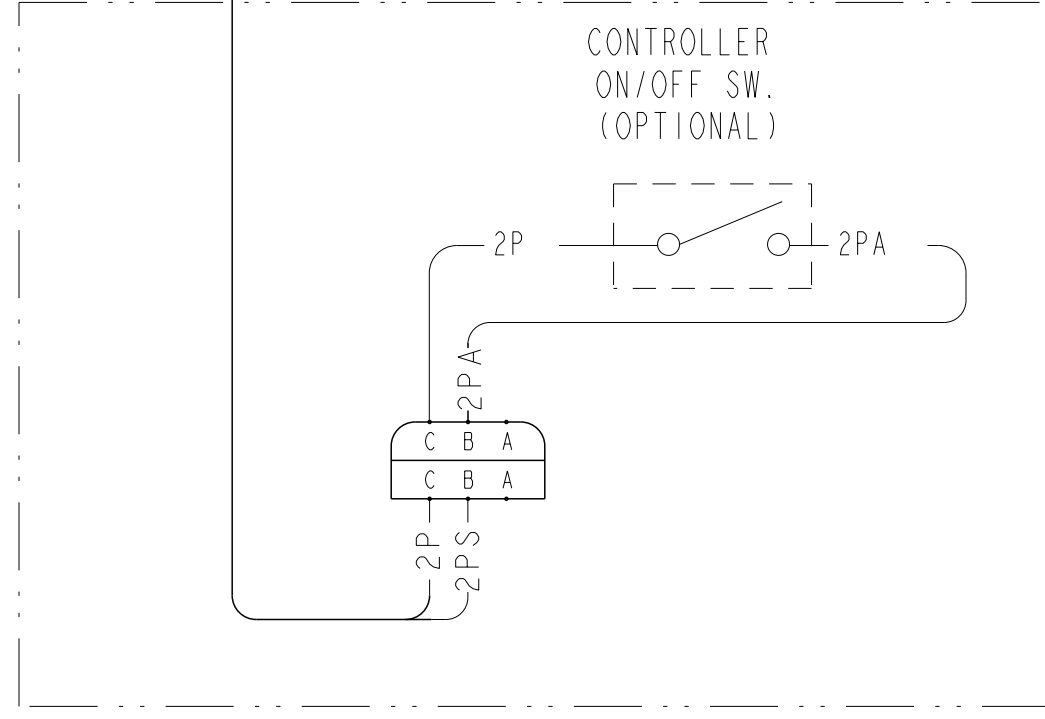
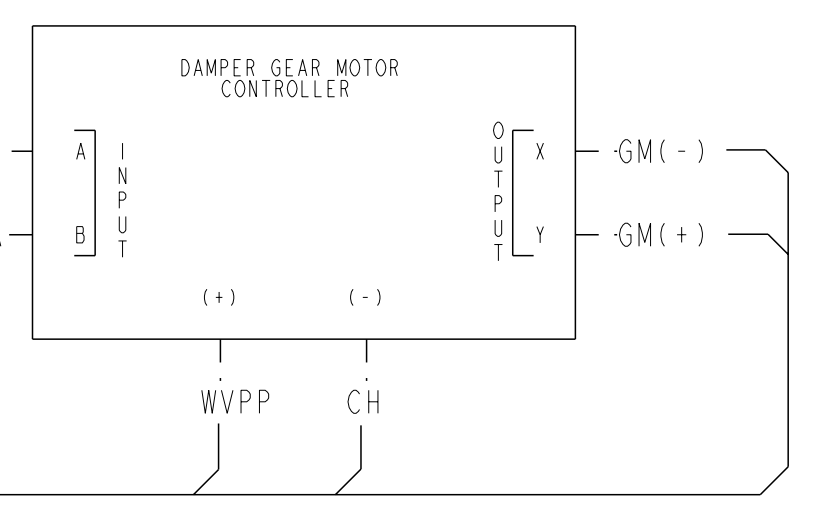
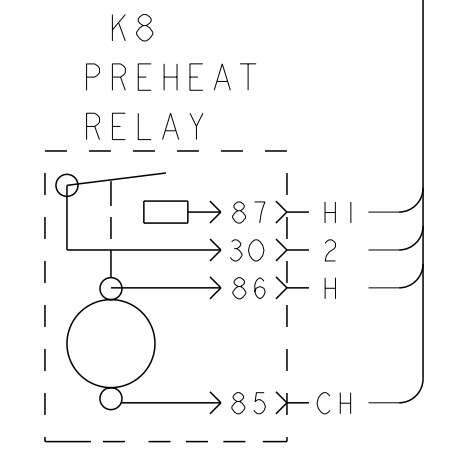
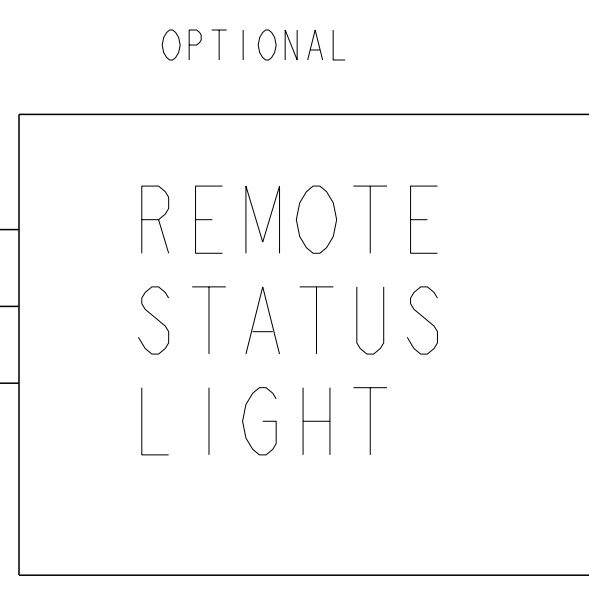
DIAGRAM WIRING
SL400-50 UPVI
W/ ETV
SHEET 3 OF 5

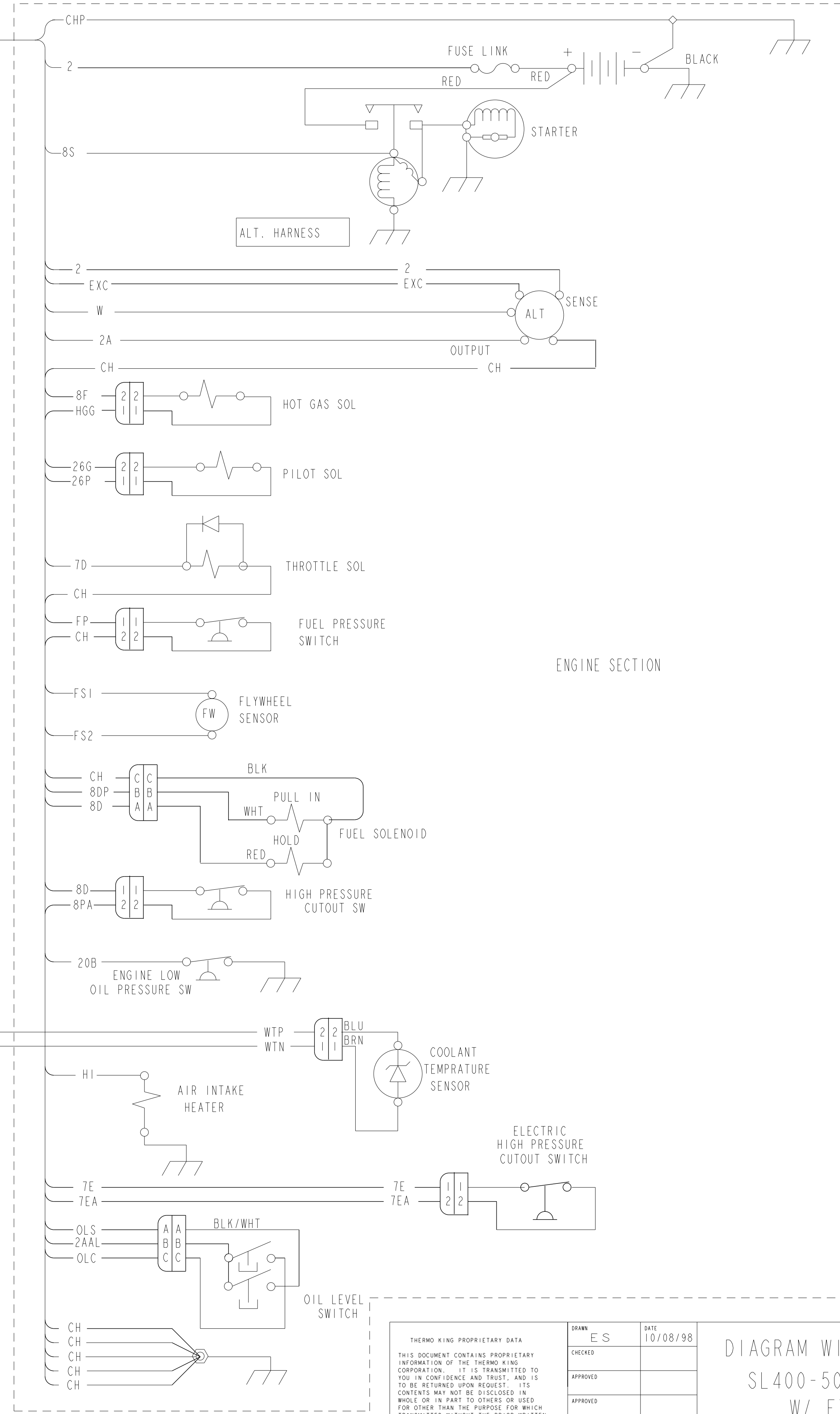
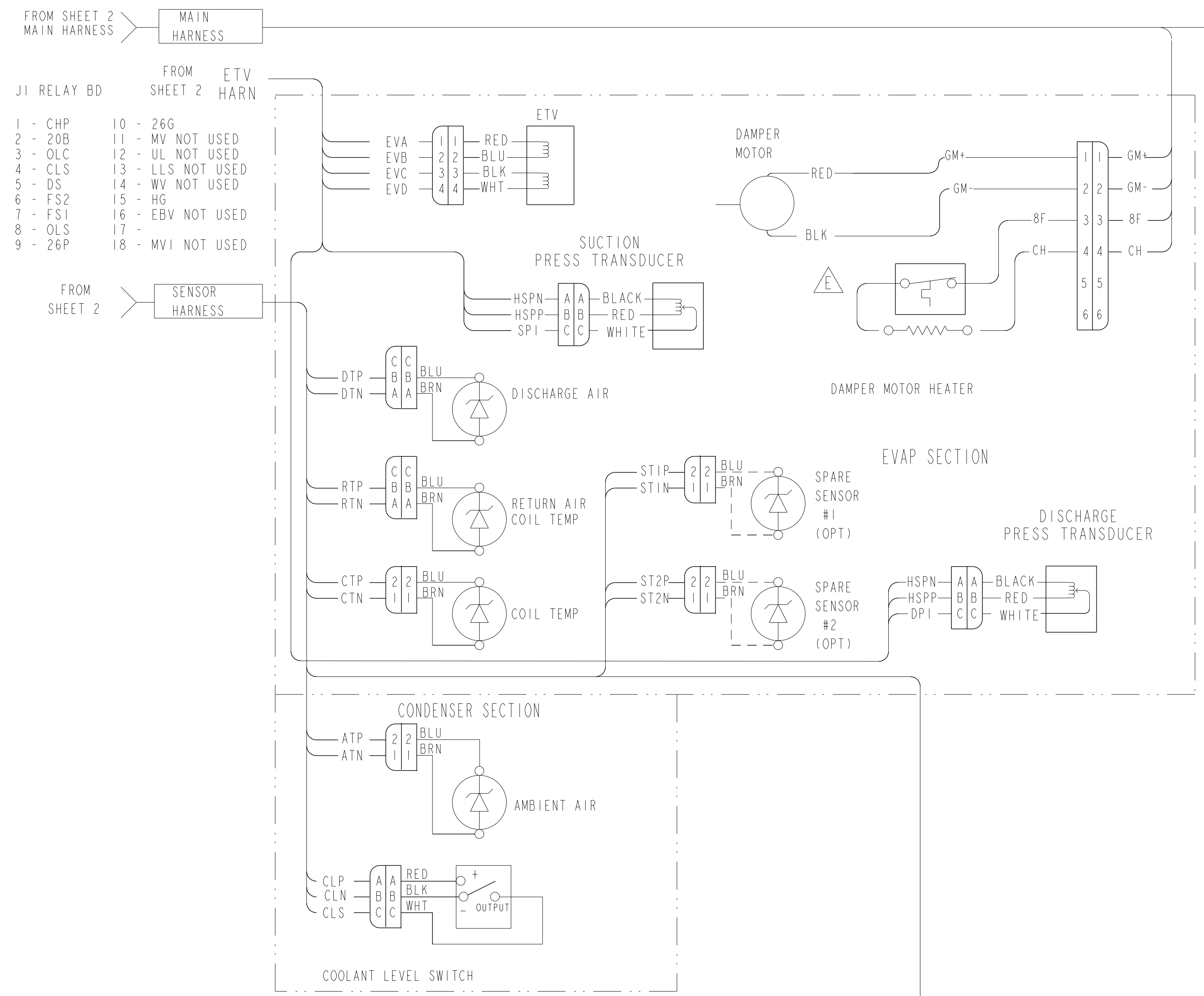
THERMO KING CORPORATION MINNEAPOLIS, MINNESOTA USA	
DRAWING NUMBER	REV
5D50737	E



FROM SHEET 2 MAIN HARNESS

TO SHEET 4 MAIN HARNESS





THIS DOCUMENT CONTAINS PROPRIETARY INFORMATION OF THE THERMO KING CORPORATION. IT IS TRANSMITTED TO YOU IN CONFIDENCE AND TRUST, AND IS TO BE RETURNED UPON REQUEST. ITS CONTENTS MAY NOT BE DISCLOSED IN WHOLE OR IN PART TO OTHERS OR USED FOR OTHER THAN THE PURPOSE FOR WHICH TRANSMITTED WITHOUT THE PRIOR WRITTEN PERMISSION OF THERMO KING CORPORATION.

© THERMO KING CORPORATION

DRAWN	ES	DATE	10/08/98
CHECKED			
APPROVED			
APPROVED			
THIS PRINT SUPERSEDES ANY OF EARLIER DATE DESTROY SAME			

DIAGRAM WIRING
SL400-50 UPVI
W/ ETV

SHEET 4 OF 5

SCALE NONE

THERMO KING CORPORATION MINNEAPOLIS, MINNESOTA USA	
DRAWING NUMBER	REV
5D50737	E

