

# FAN SPEED CONTROLLERS - SAGINOMIYA

## Saginomiya Fan Speed Controllers

Airefrig Part Number	*1 F.V.S Setting kPa			*2 EPB kpa	Refrig	Electrical AC 50Hz	Amps	Ambient Temp °C	Pressure Connections	List Price Ex GST
	Factory Set	Adj Range								
		Min	Max							
RGEZ1N45	1900	800	2800	400 Fixed Fixed @ 600kpa from 01.12.09	R22 R404A R407C	230 1PH	0.2 to 4.0	-20 to 55	Capillary 900 mm	\$323.96
RGEZ1N45MF									1/4 Male Flare	\$323.96
RGEZ1Q45									Capillary 900 mm	\$398.82
RGEZ1Q45MF									1/4 Male Flare	\$398.82
RGEX3R47	1600					415 3PH	0.2 to 5.0	-15 to 50	Capillary 900 mm	\$1,151.77
RGEZ1Q67	3200	1600	3900	800	R410A	230 1PH	0.2 to 8.0	-20 to 55	Capillary 900 mm	\$441.70
RGEX3R67						415 3PH	0.2 to 5.0	-15 to 50	Capillary 900 mm	\$1,151.77
XGE6MC7	2800	2200	3900	700	R410A	230 1PH	0.2 to 3.0	-20 to 55	1/4 F/M Flare + Dep.	\$182.04

\*1 F.V.S: (FULL VOLTAGE SET POINT)

The pressure at which the control delivers 95% output effective voltage R.M.S. (V%)

\*2 E.P.B.: (EFFECTIVE PROPORTIONAL BAND)

Pressure width where effective voltage corresponds to the minimum speed or causes cut off operation.

**Min. Speed:** Fan motor will be kept running at the specific value (V%) when pressure band increase more than E.P.B.

**Cut Off:** Fan motor will be stopped when pressure decrease to the specific values (V%) for R.M.S.

### General Description:

- Suitable for controlling the condenser fan speed on refrigeration & air conditioning units.
- Keeps condensing pressures stable & constant throughout the year.
- Two selectable low speed operations are available:
  - 1) Keep fan motor running at lowest speed
  - 2) Turn fan motor off 3900
- Enclosure is IP54 rated.
- Maximum working pressure : 4.7Mpa
- Control Method: Phase control



XGE6MC7



RGEZ1N45

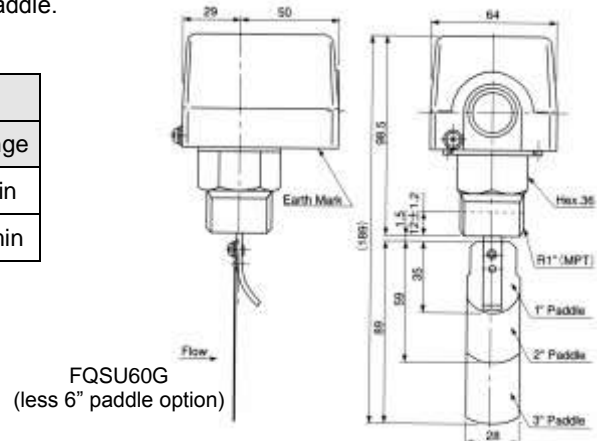
# FLOW SWITCH - SAGINOMIYA

## Saginomiya Flow Switches

Airefrig Part Number	Application	Connection Size	Paddle Sizes	Maximum Pressure kPa	Electrical Contacts	Allowable Fluid Temp °C	List Price Ex GST
FQSW30G	Drip Proof Enclosure	1" MPT	1" to 3"	980	SPDT	5 to 80	\$269.79
FQSU60G	General	1" MPT	1" to 6"	980	SPDT	5 to 80	\$248.23

Note: FQSU60G flow switch is supplied standard with an unfitted 6" paddle.

Specifications				
Part Number	Pipe Size	Paddle Qty	Min. Range	Max. Range
FQSW30G	80A	3B	100 L/min	225 L/min
FQSU60G	150A	3B	150 L/min	1700 L/min



FQSU60G (less 6" paddle option)