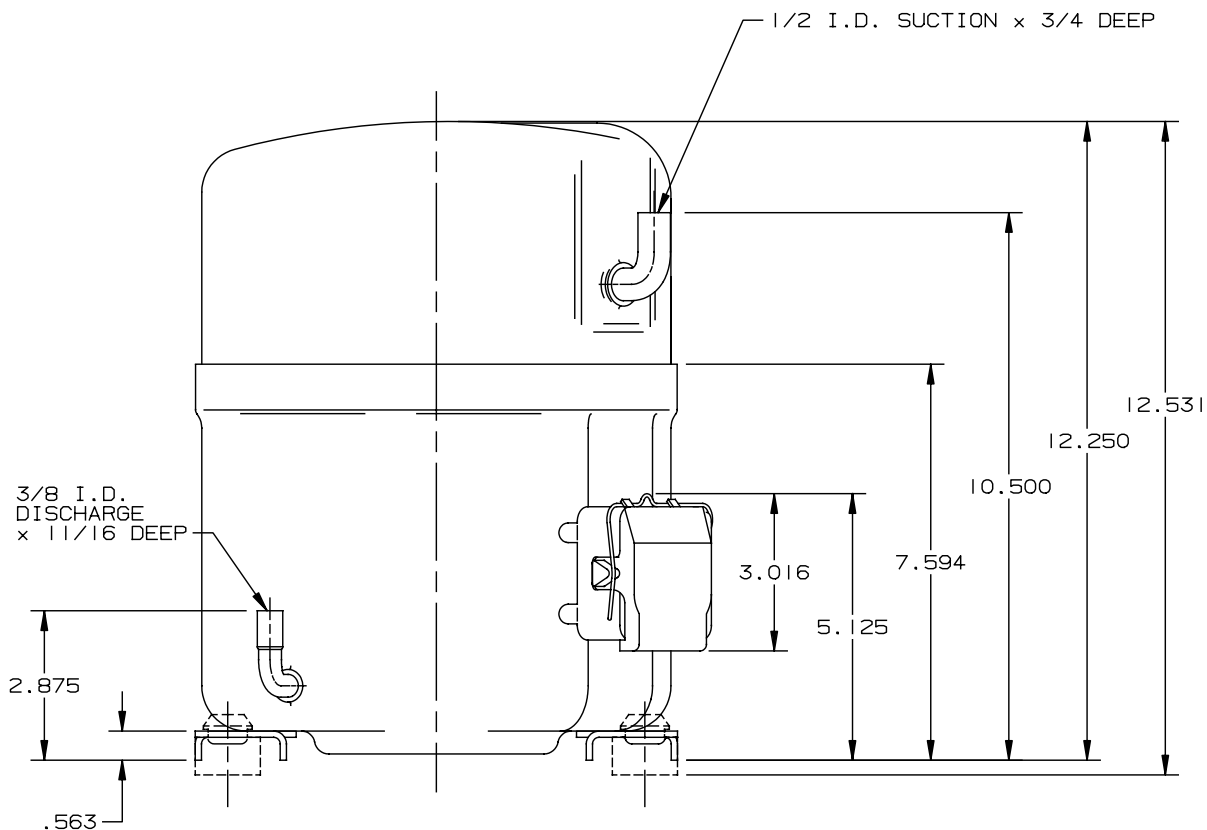
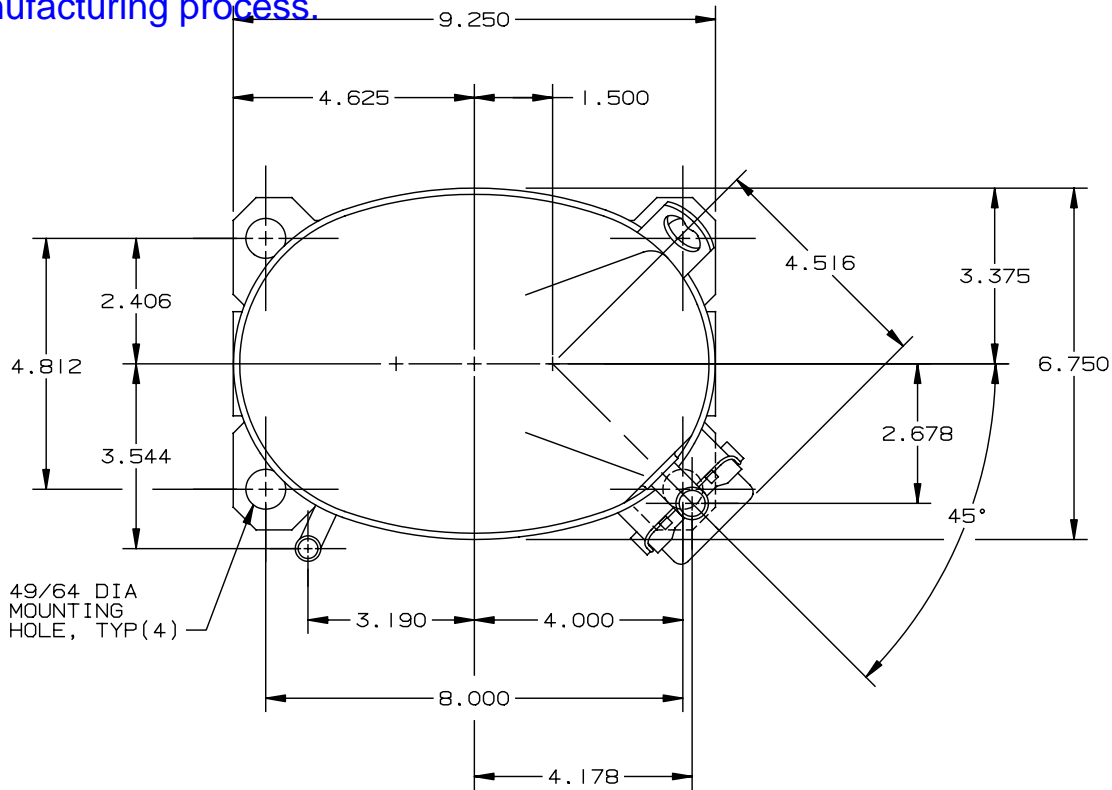


Please disregard the process tube in the drawing; it is no longer part of the compressor's manufacturing process.



NOTE: TERMINAL BOX INCLUDES CONDUIT BRACKET! RELEASED FOR 60 HZ AND 50 HZ, THIS B/M ONLY!

MODEL: L INB262EBCB

VOLTAGE: 230/208 PH: | HZ: 60 LRA: 38
200/220 | 50 34

Bristol Compressors, Inc

BRISTOL, VIRGINIA



E/N REL: 114M02

B/M NO:

TOLERANCES UNLESS SPECIFIED:

DECIMAL: ±.062
ANGULAR: ±5°
TUBE LOCATION MAY VARY ±.125



1 SPEED

2 SPEED

REVISIONS

M M25203

MKTG REQ:

CHKD SL 11/10/92
DRWN JRD 08/17/92

702049