

Technical documentation  
Technische Dokumentation  
Catalogues pièces détachées  
Tehnička dokumentacija  
Teknisk dokumentation

**CONTENTS:**

<b>PRODUCT INFORMATION.....</b>	<b>page 3</b>
<b>EXPLODED VIEW.....</b>	<b>page 4</b>
<b>SPARE PARTS LIST.....</b>	<b>page 5</b>
<b>PRINCIPAL DRAWING.....</b>	<b>page 10</b>
<b>WIRING DIAGRAMME.....</b>	<b>page 12</b>
<b>REFRIGERATION DIAGRAMME.....</b>	<b>page 15</b>

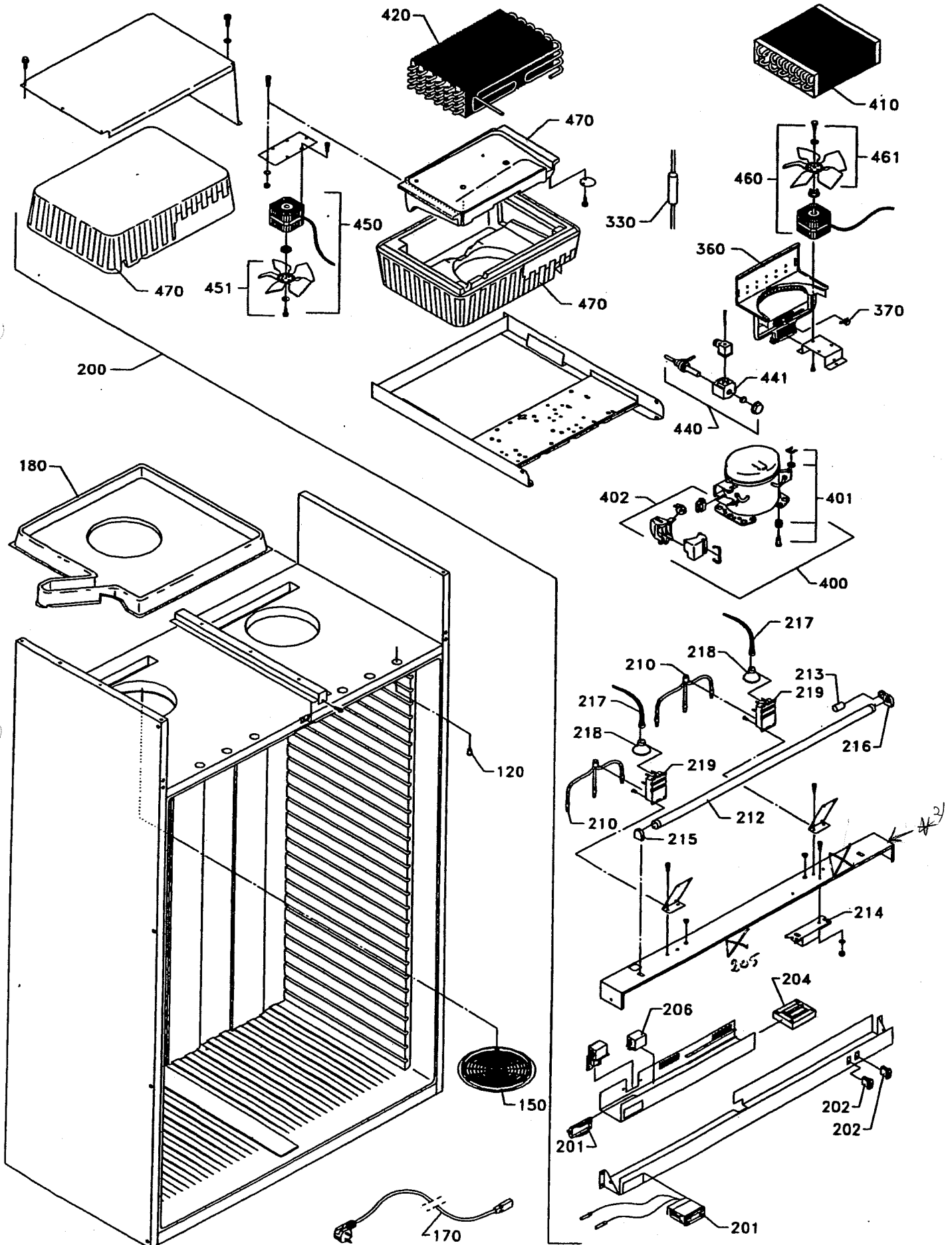
# PRODUCT INFORMATION

<b>CHARACTERISTICS</b>		<b>C</b>	<b>CD/CDS</b>
Voltage	V =	230	230
Climate class	=	04	04
Classification	=	M1	M1
Product temperature range	°C =	+1-+10	+1-+10
Energy consumption	Kwh/24h =	4.55	11.72
Frequency	Hz =	50	50
Rated power	W =	480	550
Running time	% =	40.5	79.3
Display area doors	m2/sq.ft. =	-	1.4/15.3
Shelf area	m2/sq.ft. =	0.5/5.6	0.5/5.6
Contains cans 0.33l	pcs =	1120	1120
Charging R134a	g =	245	250/245
Insulation	mm =	40/50	40/50
Net volume	l/cu.ft. =	778/27.43	778/27.43
Gross volume	l/cu.ft. =	908/32.01	908/32.01
Net weight	Kg =	169.0	181.0
Gross weight	Kg =	173.0	185.0

<b>MEASUREMENTS</b>		<b>Height</b>	<b>Width</b>	<b>Depth</b>
Dimensions	mm/inch. =	1966/77.4	1176/46.3	652/25.7
Dimensions incl. packaging	mm/inch. =	2050/80.7	1260/49.6	780/30.7

Data according to ISO 1992

EXPLODED VIEW  
QUERSCHNITT-ZEICHNUNG  
VUE ECLATEE  
EKSPLODERET TEGNING



Pos. No.	No.	Item	Teil	Pièce	Emne
120	151054	Fibre optic lens	Lichtleiterlinse	Lentille conducteur	Lyslederlinse
150	151074	Grill for fan	Gitter fur Ventilator	Grille pour ventilateur	Gitter for ventilator
170	230023	Mains lead EU	Netzleitung EU	Câble d'alimentation EU	Netledning EU
170	230024	Mains lead UK	Netzleitung UK	Câble d'alimentation UK	Netledning UK
170	230036	Mains lead DK	Netzleitung DK	Cable d'alimentation DK	Netledning DK
180	580124	Drip tray	Tropfschale	Bac évaporateur	Drypbakke
200	010324	Ref.unit CD complete,230V	Kuhleinheit CD komplett,230V	Monobloc CD complet,230V	Køleunit CD komplet,230V
200	010329	Ref.unit C complete,230V	Kuhleinheit C komplett,230V	Monobloc C complet,230V	Køleunit C komplet,230V
201	010444	Ref control unit	Kühlsteuerung	Thermostat électronique	Kølestyring
202	410176	Switch for light, black	Lichtschalter, schwarz	Interrupteur lumière, noir	Afbryder for lys, sort
204	410345	Transformer TD8012,230V	Transformator TD8012,230V	Transformateur TD8012,230V	Trafo TD8012, 230V
205	410268	Transformer,TD8545 (control)	Transformator,TD8545 ( Steuerung )	Transformateur,TD8545 (électronique)	Trafo,TD8545 ( styring )
206	410373	Transformer,Osram105/230	Transformator,Osram 105/230	Transformateur,Osram105/230	Trafo,Osram 105/230
210	410266	Fibre optic junction piece	Lichtleiterbund	Cordon conducteur	Lyslederbundt
212	370054	Fluorescent tube 38/21 230V	Leuchtstoffröhre 38/21 230V	Tube fluorescent 38/21,230V	Lysstofrør 38/21,230V
213	410372	Starter 4-80/65W	Starter 4-80/65W	Démarrreur 4-80/65W	Glimtænder 4-80/65W
214	410066	Impedance coil 36/40W, 230V	Drosselspule 36/40W, 230V	Bobine d'arrêt 36/40W, 230V	Drosselspole 36/40W, 230V
215	410182	Socket for fluorescent tube	Fassung für Leuchtstoffröhre	Douille pour tube fluorescent	Fatning for lysstofrør
216	410183	Socket for starter	Fassung für Starter	Douille pour démarreur	Fatning for glimtænder
217	410173	Socket with wire	Fassung mit Leitung	Douille avec fil	Fatning med ledning
218	370058	Halogen bulb 75W, 12V	Halogenbirne 75W, 12V	Ampoule halogène 75W, 12V	Halogenpære 75W, 12V
219	110072	Light housing	Lichtleitergehäuse	Cache conducteur	Lyslederhus
330	290009	Drier 15g	Filter 15g	Filtre 15g	Filter 15g
360	150925	Holder for condenser	Halter fur Kondensator	Support de condenseur	Kondensator holder
400	010356	Compressor GP14PB	Kompressor GP14PB	Compresseur GP14PB	Kompressor GP14PB
401	01038	Mountings for Compressor	Montagezubehör Kompressor	Caoutchouc compr.Compreseur	Monteringssæt Kompressor
402	50085	GP14PB starter PTC	GP14PB Anlasser PTC	GP14PB disp.de'marrage PTC	GP14PB starter PTC
410	320043	Static condenser,4 rows	Blockkondensator, 4 Reihen	Condenseur, 4 rangées	Blockkondensator 4 rækker
420	310068	Lamella evaporator, 4 rows	Lamellenferdampfer, 4 Reihen	Évaporateur à lamelles, 4 rangées	Lamelfordamper, 4 rækker
450	010253	Fan with blade 200mm, 230V	Ventilator mit Propeller 200mm, 230V	Ventilateur avec ailette 200mm, 230V	Ventilator med propel 200mm, 230
451	010244	Fan blade 200mm, complete	Propeller 200mm, komplett	Ailette 200mm, complet	Propel 200mm, komplet
460	010320	Fan with blade 230mm, 230V <sup>1)</sup>	Ventilator mit Propeller 230mm, 230V	Ventilateur avec ailette 230mm, 230V	Ventilator med propel 230mm, 230
461	010319	Fan blade 230mm, complete	Propeller 230mm, komplett	Ailette 230mm, complet	Propel 230mm, komplet
470	010301	Evaporator housing	Verdampferfergehäuse	Caisse évaporateur	Fordamperindeslutning

1) \* motor til kondensatorbloker

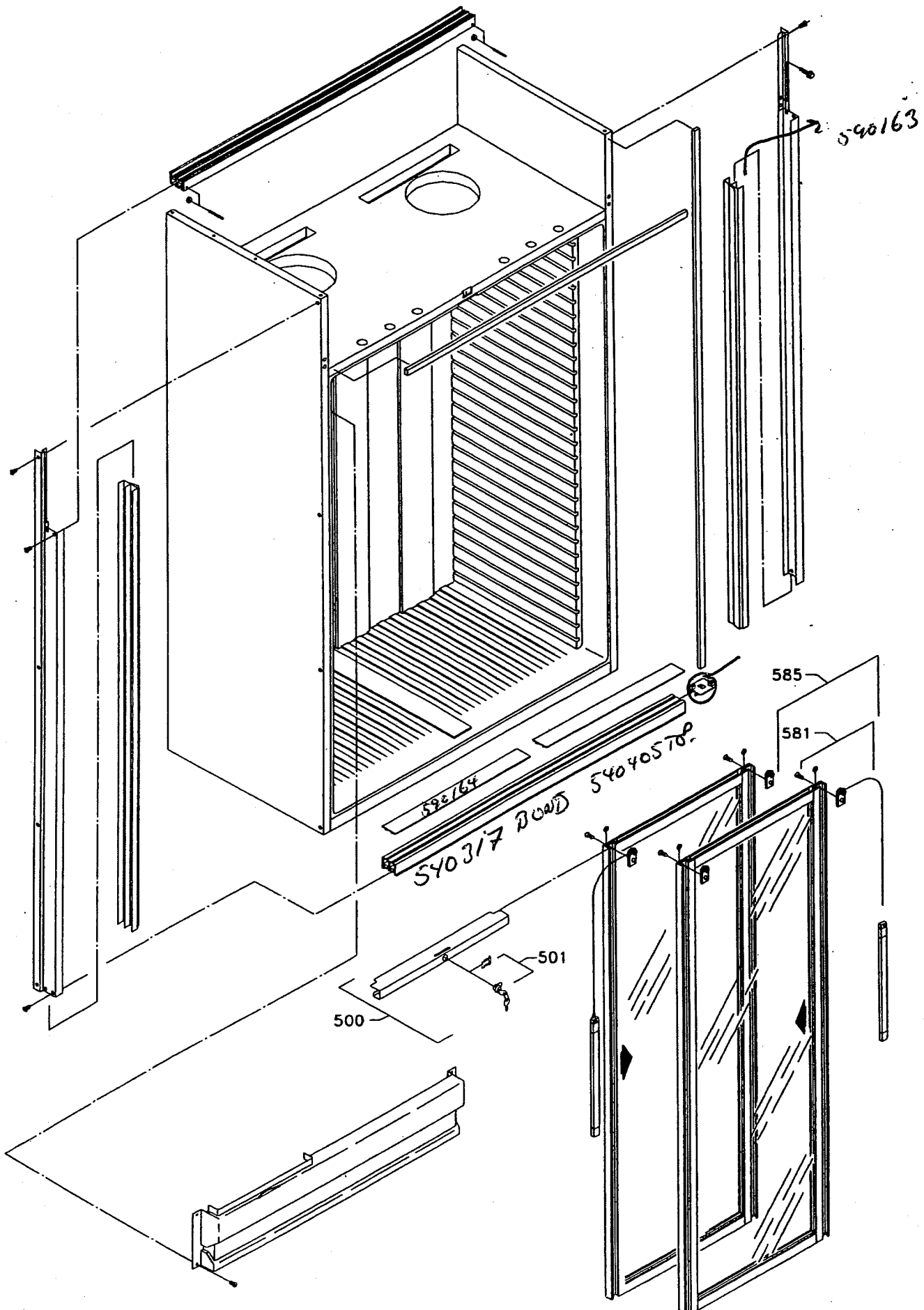
2) \* afdekning til lysarmatur: 15150

Canopy = 010370

Standard hyld: 280210  
 husk 2 bølger pr. hyld =  
 280149

standard 280344  
 280149

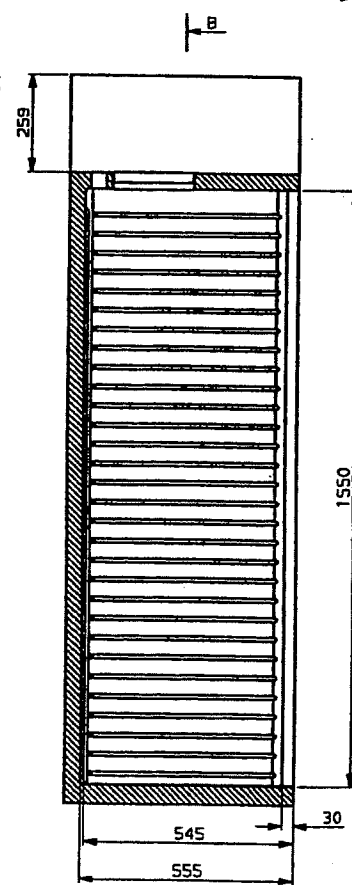
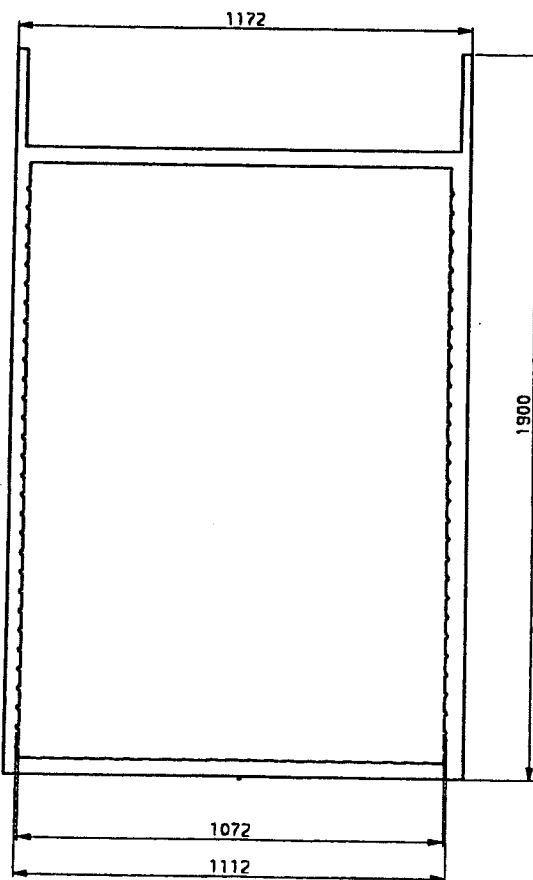
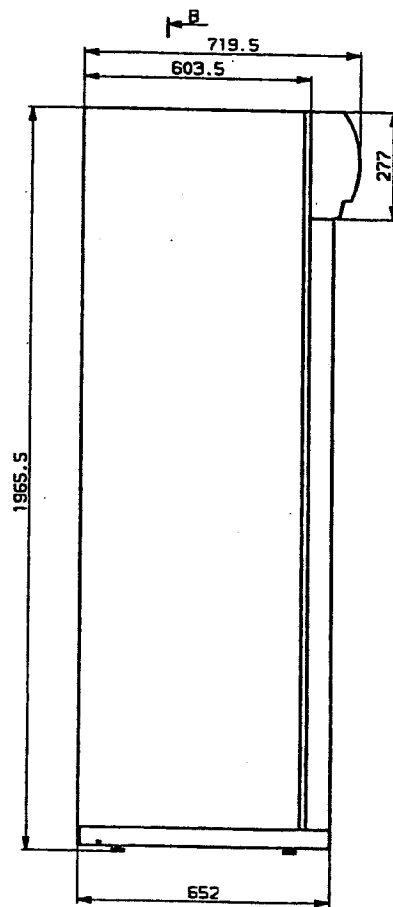
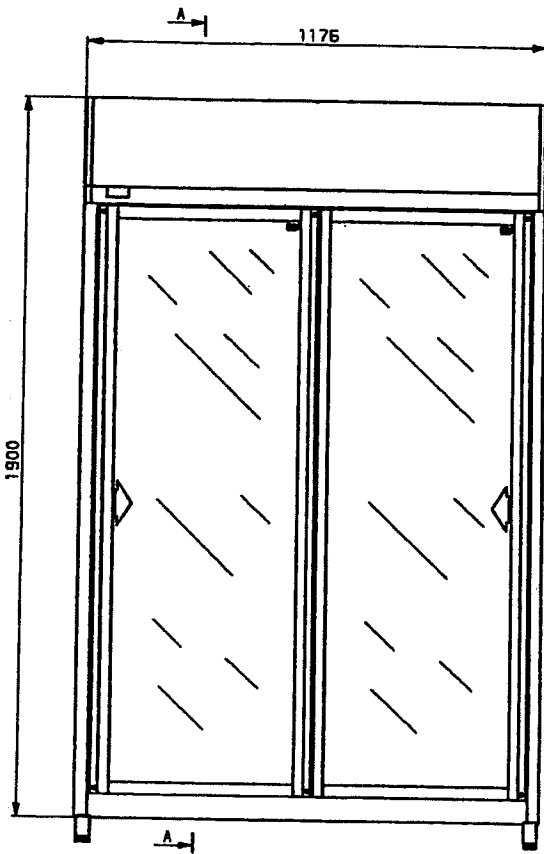
EXPLODED VIEW  
QUERSCHNITT-ZEICHNUNG  
VUE ECLATEE  
EKSPLODERET TEGNING



Pos.	No.	Item	Teil	Pièce	Emne
500	760266	Lock for sliding door	Schloss fur Schiebetur	Serrure pour porte coulissante	Lås for skydedør
501	485002	Lock	Sckloss	Serrure	Lås
510	540405	Door profile upper	Tur profilen obere	Porte profiele,plein sup	Dør profil ,top
510	540317	Door profile lower	Tur profilen untere	Porte profiele,plein inf	Dør profil ,bund
581	010323	Suspension for sliding door	Aufhængung fur Schiebetur	Suspension porte coulissante	Ophæng for skydedør
585	010380	Glass sliding door complete	Glassshiebetur, komplett	Porte vitrée coulissante,complète	Glas skydedør, komplet
600	280181	Wire shelf	Drahtrost	Clayette en fil	Trådhyld
600	280210	Wire shelf 13,2 mm	Drahtrost 13.2 mm	Clayette en fil 13,2 mm	Trådhyld 13,2 mm
610	280182	Support for wire shelf	Træger fur Drahtrost	Support clayette en fil	Bøjle for trådhyld 2 pr. hyld
610	280149	Support for wire shelf,13,2mm	Træger fur Drahtrost 13,2 mm	Support clayette en fil 13,2mm	Bøjle for trådhyld 13,2 mm
650	010370	Canopy without logo plate	Canopy ohne logoplatte	Encadrement pour chapiteau sans	Canopy uden logo plade
651	040341	Logo plate neutral	Logoplatte neutral	Bandeau blanc	Logoplatte neutral
652	010236	End pieces for canopy	Kopftræger fur Canopy	Embouts pour encadrement	Endestykker for canopy
653	510729	Canopy chassi	Canopy chassi	Encadrement bandau	Canopy chassi
654	150899	Display cover,red	Abdeckung fur display,rot	Fenetre plastique afficheyr	Afdækning for display,rød
660	610193	Ventilating canopy grill,black	Gitter canopy,schwarz	Grille pour chapiteau,noire	Gitter canopy,sort
661	150914	Canopy grill 1.pcs	Canopy gitter 1.stk	Grille chapiteaur 1.pcs	Canopy gitter, 1.stk
662	010251	End pieces for grill	Kopftræger fur grill	Embouts pour grille	Endestykker for gitter
670	010346	Demist units for driptray comp	Ventilator fur tropfschale komp	Ventilateur évaporation compl	Ventilator for tøvandbakke
671	380015	Fan SUNON,230V	Ventilator SUNON,230V	Ventilateur SUNON,230V	Ventilator SUNON,230V
830	150878	End piece for wheel frame	Endstuck f/Radschiene	Embout socle	Endestykke for hjulskinne
840	010235	2 adjustment screws compl	2 Stk.Stellenschrauben kompl	2 vis réglage complètes	2 stk.stilleskruer komplet
900	010339	Cabinet white	Gehäuse weiss	Caisse armoire,blanche	Kabinet,hvid

# PRINCIPAL DRAWING

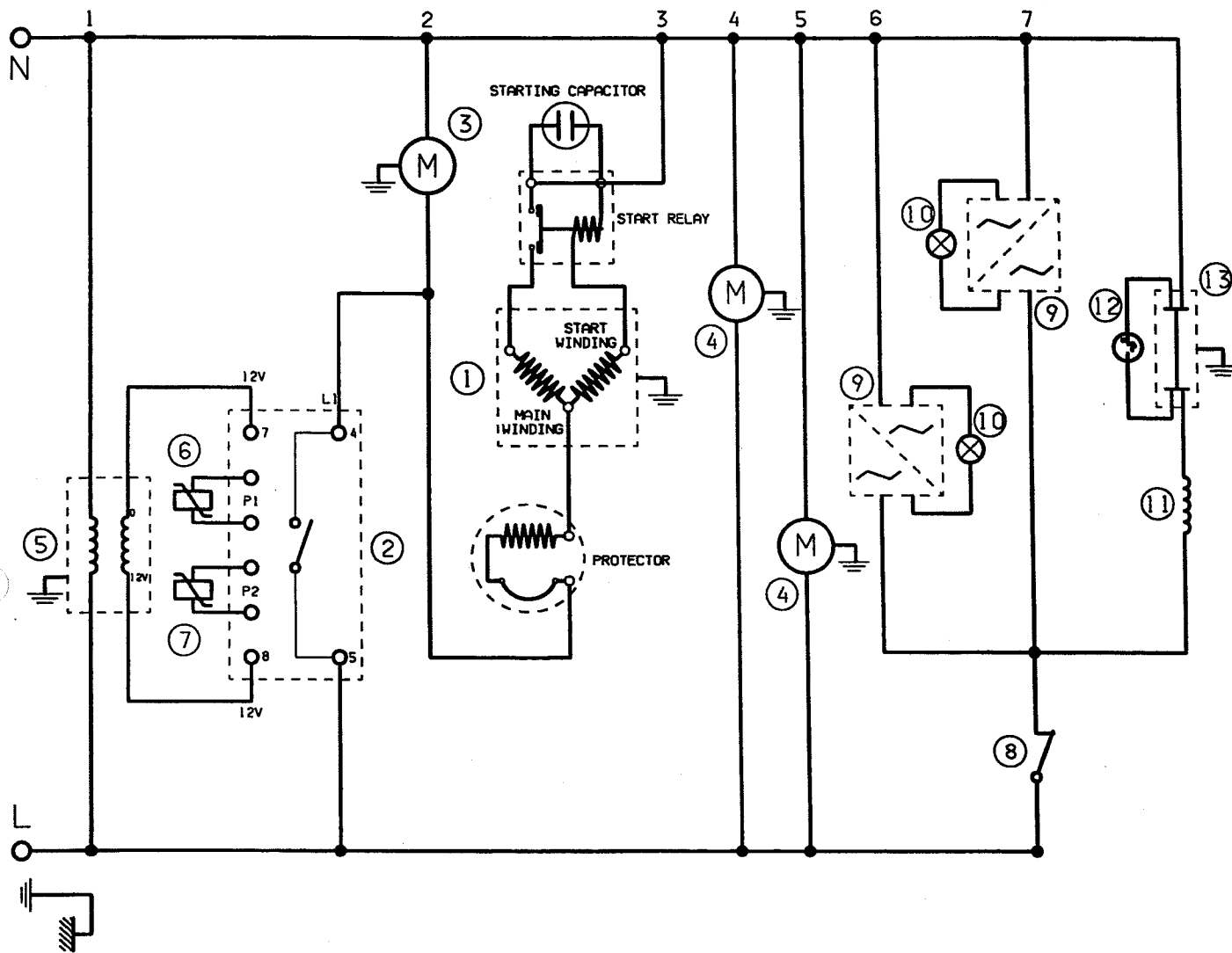
## CD - SLIDING GLASS DOORS



B-B

A-A

Net vol.	778 Litre
Gross vol.	908 Litre



- ① COMPRESSOR
- ② ELECTRONIC CONTROLLER
- ③ FAN FOR COMPRESSOR
- ④ FAN FOR EVAPORATOR
- ⑤ TRANSFORMER 230-12V INPENDANS PROTECTED
- ⑥ TEMPERATURE SENSOR - CABINET
- ⑦ TEMPERATURE SENSOR - EVAPORATOR
- ⑧ SWITCH FOR LIGHT
- ⑨ ELECTRONIC TRANSFORMER 230/11.8 VA HF
- ⑩ HALOGEN BULB FOR INTERNAL LIGHT 75W/12V
- ⑪ IMPENDANCE COIL
- ⑫ STARTER FOR FLUORESCENT TUBE
- ⑬ FLUORESCENT TUBE

"This drawing and its contents are the property of Maskinfabrikken Derby A/S, and cannot be assigned to a third party without our written consent."				
Revision No.	Constr.	Sign	Date	Material
1	VTN		6-12-01	-
Please destroy all previous revisions.	Drawer	VTN	6-12-01	Scale
	Appr.	-	6-12-01	-
Correction: -	Model/Series			Subj.No.
-	EXPO98 CD			Replaces
Date -	Title			-
Drawer -	WIRING DIAGRAMME			No.
Appr. -	HST			685063-02

# REFRIGERATION DIAGRAMME

