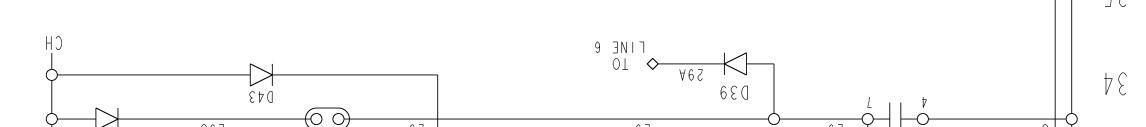
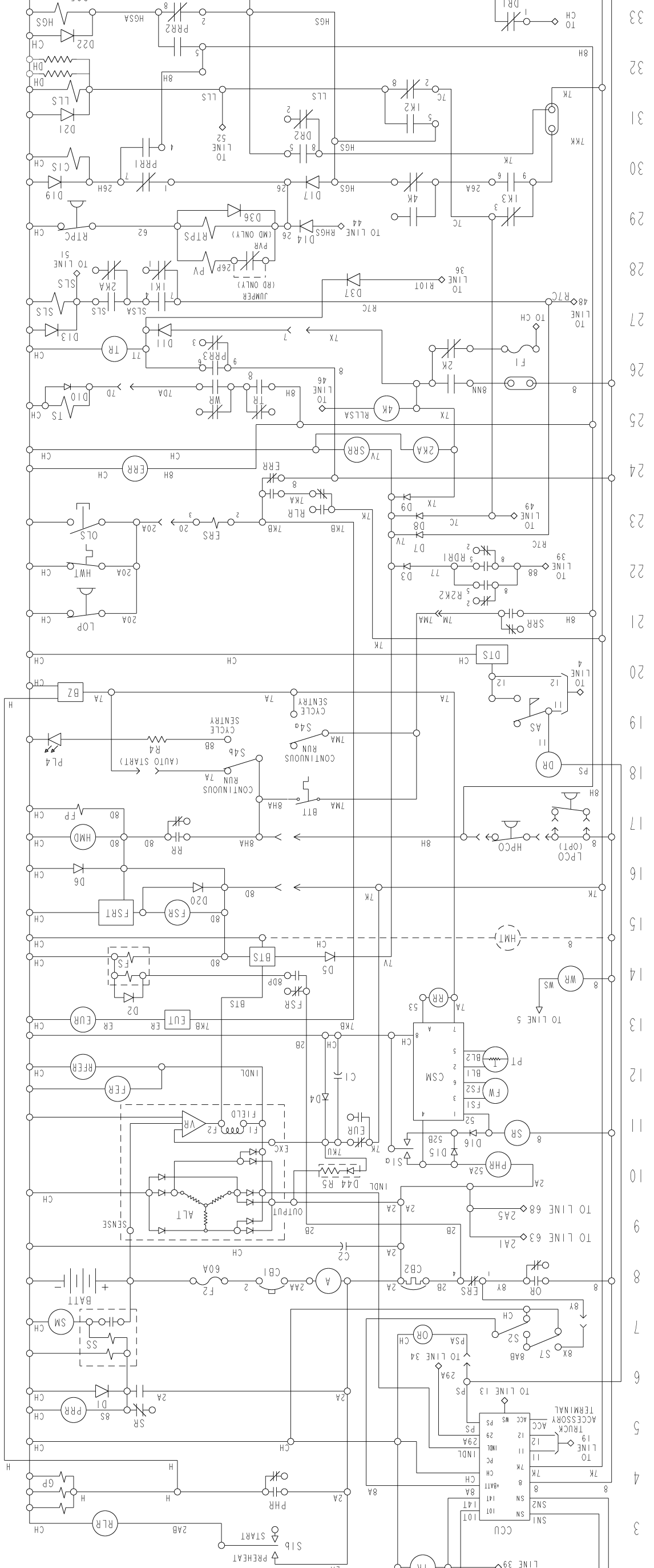
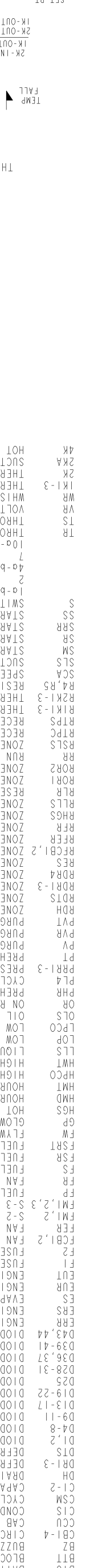
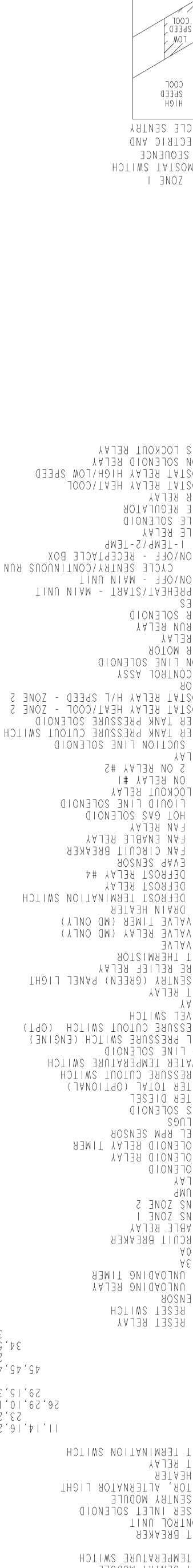
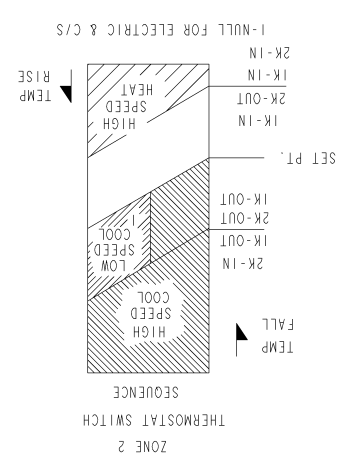
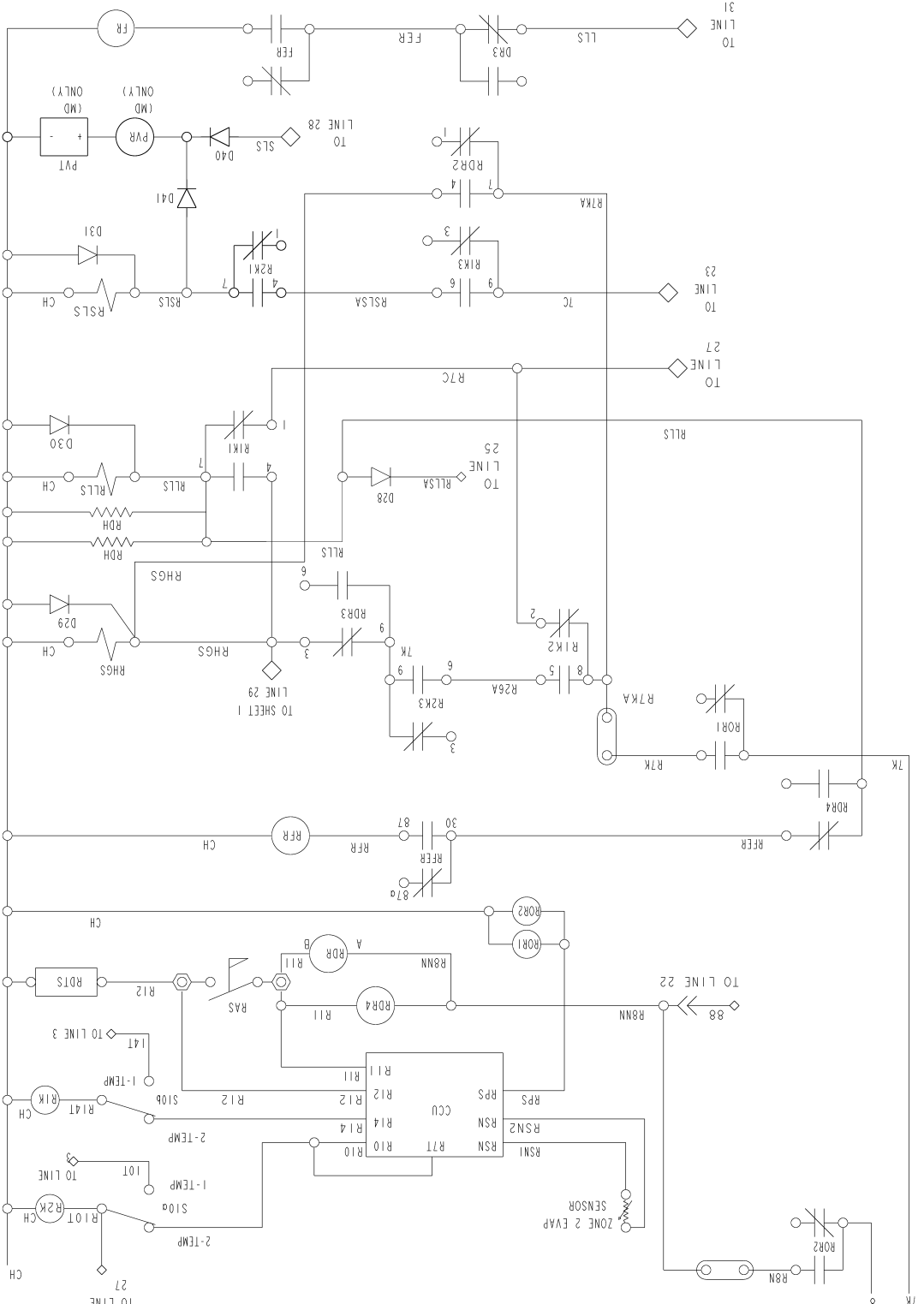


LEGEND

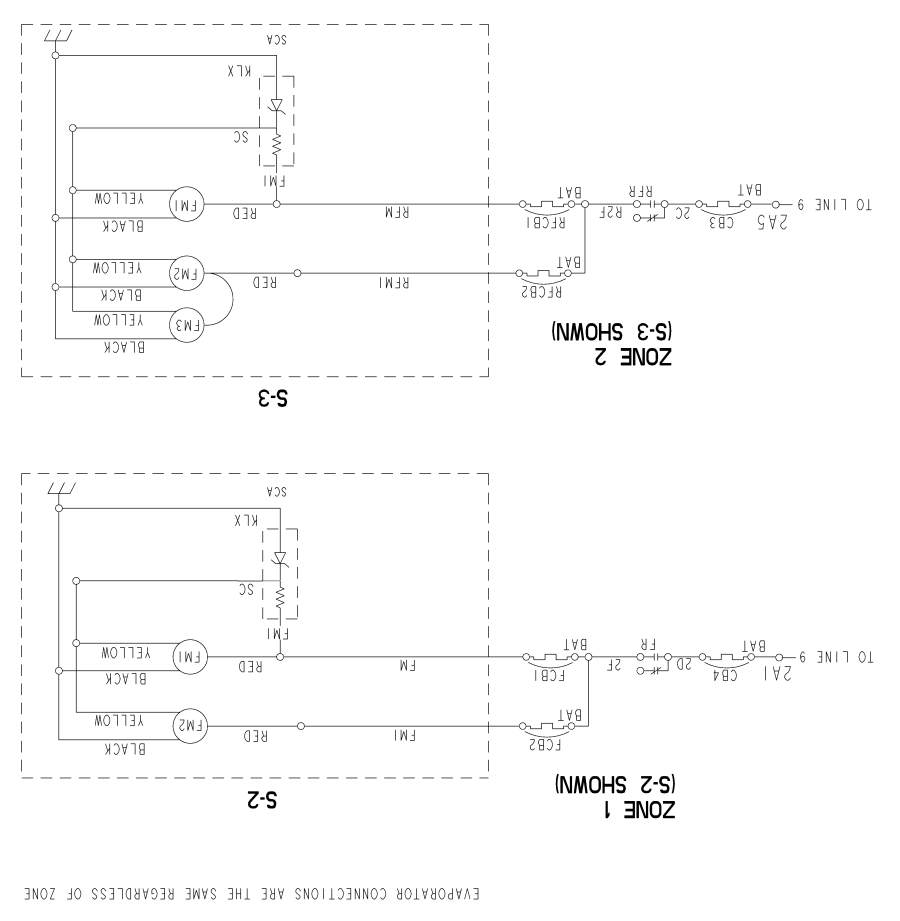
LOCATION	DESCRIPTION
A	AMMETER (OPTIONAL)
ALT	ALTERNATOR
AS	AIR SWITCH
BATT	BATTERY
BATS	BATTERY SENTRY MODULE
BT1	BLOCK TEMPERATURE SWITCH
BZ	Buzzer
CB1-4	Circuit Breaker
CCU	CAB CONTROL UNIT
CIS	CONDENSER INLET SOLENOID
CSM	CYCLE SENTRY MODULE
C1-2	CAPACITOR, ALTERNATOR LIGHT
DH	DRAIN HEATER
DR1-3	DEFROST RELAY
DTS	DEFROST TERMINATION SWITCH
D1,2	DIODES
D4-8	DIODES
D9-11	DIODES
D13-17	DIODES
D19-22	DIODES
D25	DIODES
D28-31	DIODES
D36-37	DIODES
D39-41	DIODES
D43,44	DIODES
ERR	ENGINE RESET RELAY
ERS	ENGINE RESET SWITCH
ES	EVAP SENSOR
EUR	ENGINE UNLOADING RELAY
EUT	ENGINE UNLOADING TIMER
F1	FUSE, 3A
F2	FUSE, 60A
FCB1,2	FAN CIRCUIT BREAKER
FER	FAN ENABLE RELAY
FMI,2	FAN MOTOR
FMI,1	FAN MOTOR
FR	FAN RELAY
FS	FUEL SOLENOID
FSR	FUEL SOLENOID RELAY
FSRT	FUEL SOLENOID RELAY TIMER
FW	FLYWHEEL RPM SENSOR
GP	GLOW PLUGS
HSS	HOT GAS SOLENOID
HMT	HOURMETER TOTAL (OPTIONAL)
HPCO	HIGH PRESSURE CUTOFF SWITCH
HWT	HIGH WATER TEMPERATURE SWITCH
LLS	LIQUID LINE SOLENOID
LOP	LOW OIL PRESSURE SWITCH (ENGINE)
LPCO	LOW PRESSURE CUTOFF SWITCH (OPT)
OLS	OIL LEVEL SWITCH
OR	ON RELAY
PHR	PREHEAT RELAY
PL4	CYCLE SENTRY (GREEN) PANEL LIGHT
PR1-3	PRESSURE RELIEF RELAY
PV	PURGE VALVE
PVR	PURGE VALVE RELAY (MD ONLY)
RDS	ZONE 2 DEFROST TERMINATION SWITCH
RDR1-3	ZONE 2 DEFROST RELAY
RDR4	ZONE 2 DEFROST RELAY #4
RES	ZONE 2 EVAP SENSOR
RFCB1,2	ZONE 2 FAN CIRCUIT BREAKER
RFR	ZONE 2 FAN ENABLE RELAY
RFS	ZONE 2 FAN RELAY
RHGS	ZONE 2 HOT GAS SOLENOID
RLLS	ZONE 2 LIQUID LINE SOLENOID
RLR	RESET LOCKOUT RELAY
ROR1	ZONE 2 ON RELAY #1
ROR2	ZONE 2 ON RELAY #2
RR	RUN RELAY
RSL	ZONE 2 SUCTION LINE SOLENOID
RTPC	RECEIVER TANK PRESSURE CUTOFF SWITCH
RTPS	RECEIVER TANK PRESSURE SOLENOID
R1K1-3	THROTTLE RELAY
R2K1-3	THROTTLE RELAY
TS	THROTTLE SOLENOID
VR	VOLTAGE REGULATOR
WR	WHISPER RELAY
IK1-3	THROTTLE RELAY
2K1-3	THROTTLE RELAY
2K2A	SUCTION SOLENOID RELAY
4K	HOT GAS LOCKOUT RELAY





CAB BOX SCREEN CODES

69	11	00	0C	0F	11
SCREEN	SCREEN	SCREEN	SCREEN	SCREEN	SCREEN
0	2	8	:0	:5	:8
SCREEN	SCREEN	SCREEN	SCREEN	SCREEN	SCREEN



THE RMO KING CORPORATION
 30 MD/RD-MT W/IN-CAB
 8 CYCLE SENTRY
 SCALE: NONE SHEET 2 OF 2
 DRAWING NUMBER: LE07390
 REV: A
 DXF-PROE_DD

DATE	APPROVED
DATE	APPROVED

THIS DOCUMENT CONTAINS PROPRIETARY INFORMATION OF THE THERMO KING CORPORATION. IT IS TO BE RETAINED IN CONFIDENCE AND NOT TO BE REPRODUCED OR TRANSMITTED IN ANY FORM OR BY ANY MEANS, ELECTRONIC OR MECHANICAL, INCLUDING PHOTOCOPYING, RECORDING, OR BY ANY INFORMATION STORAGE AND RETRIEVAL SYSTEM, WITHOUT THE WRITTEN PERMISSION OF THERMO KING CORPORATION. © THERMO KING CORPORATION