

**INSTRUCTION SHEET: The **(RBM)** Universal Potential Motor Starting Relay**  
Wiring Diagram and Cross Reference.

**90-63  
Potential Relay**

Continuous Coil Voltage **170**  
Pick Up Minimum **140**  
Maximum **153**  
Drop Out Maximum **65**

**REPLACES:**

**Steveco:** 90-1; 90-17; 90-21

**RBM Groups:** 1J; 1K; 1L; 1M;  
1N; 2J; 2K; 2L; 2M; 2N

**GE Groups:** 2J; 2K; 2L; 2M; 7J;  
7K; 7L; 7M; 7N; 8L; 8M; 8N

**90-64  
Potential Relay**

Continuous Coil Voltage **395**  
Pick Up Minimum **245**  
Maximum **275**  
Drop Out Maximum **140**

**REPLACES:**

**Steveco:** 90-4; 90-11; 90-13;  
90-14; 90-22

**RBM Groups:** 4A; 4B; 5A; 5B;  
6A; 6B

**GE Groups:** 3A; 3B; 6A; 6B;  
10A; 10B

**90-65  
Potential Relay**

Continuous Coil Voltage **336**  
Pick Up Minimum **171**  
Maximum **184**  
Drop Out Maximum **90**

**REPLACES:**

**Steveco:** 90-3; 90-7; 90-24;  
90-26; 90-40; 90-41

**RBM Groups:** 2S; 3P; 3R; 3S;  
3T; 4P; 4R; 4S; 4T; 5P; 5S; 5T

**GE Groups:** 3P; 3R; 5P; 5R; 5S;  
5T; 22S

**90-66  
Potential Relay**

Continuous Coil Voltage **395**  
Pick Up Minimum **208**  
Maximum **239**  
Drop Out Maximum **130**

**REPLACES:**

**Steveco:** 90-10; 90-27

**RBM Groups:** 4U; 4V; 5U; 5V;  
6U; 6V; 6W

**GE Groups:** 3U; 3V; 6U; 6V; 6W

**90-67  
Potential Relay**

Continuous Coil Voltage **420**  
Pick Up Minimum **300**  
Maximum **328**  
Drop Out Maximum **121**

**REPLACES:**

**Steveco:** 90-2; 90-5; 90-6; 90-8;  
90-15; 90-18

**RBM Groups:** 4C; 4D; 5C; 5D;  
6C; 6D; 7C; 7D

**GE Groups:** 3C; 3D; 4C; 4D; 6C;  
6D; 10C; 10D; 26C; 26D

**90-68  
Potential Relay**

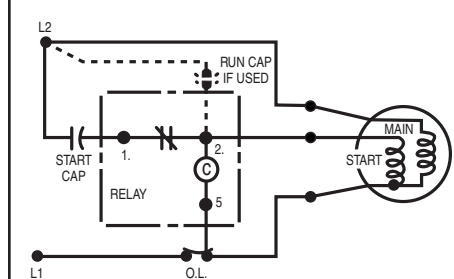
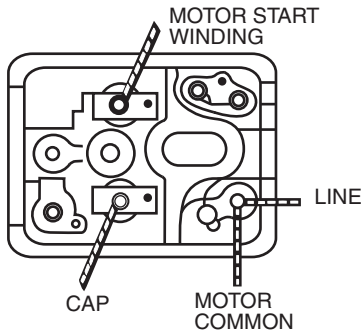
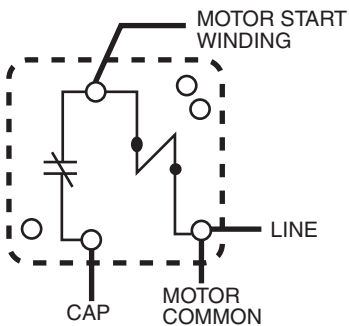
Continuous Coil Voltage **495**  
Pick Up Minimum **323**  
Maximum **352**  
Drop Out Maximum **135**

**REPLACES:**

**Steveco:** 90-9; 90-12; 90-16;  
90-19; 90-20; 90-23; 90-25

**RBM Groups:** 4E; 4F; 4G; 5F; 5G;  
5H; 6E; 6F; 6G; 6H; 7E; 7F; 7G

**GE Groups:** 3E; 3F; 4E; 4F; 4G;  
6E; 6F; 6G; 26E; 26F; 26G; 26H;  
27E; 27F; 27G



1. Terminals are included for quick-connect applications.
2. If different mounting bracket is required, remove and use on new relay.  
NOTE — Unused portions of Universal Bracket may be broken off if not needed.
3. Make certain all terminal screws of "push on" terminals are tight.