

Type: Hermetic piston compressors
Producer: ACC
Series: HMBP

Model: P12TN

General data

Refrigerant:	R22
Discharge element:	C-V
Cooling:	F
Maximum ambient temperature [°C]:	43

Compressor's data

Cylinder capacity [cm ³]:	12
Displacement [m ³ /h]:	2,1
Weight [kg]:	12,3
Oil charge [cm ³]:	400
Oil type:	ISO VG 68 MINERAL

Engine's data

Engine type:	CSR
Power [KM]:	1/2
Starting element:	HST
Power supply:	220V 50Hz
Voltage range:	198-254
Locked rotor current [A]:	14
Running winding resistance (25°C) [Ω]:	4,79
Starting winding resistance (25°C) [Ω]:	10,2

Electrical data

Relays:	3ARR3 3AP3, RVA 2E..
Shielding element:	MRT18AMK, T0267/G.
Starting capacitor volume [μF]:	10/370

Connections

	<u>milimeters</u>	<u>inches</u>
Suction tube:	9,7	
Service tube:	8,2	
Discharge tube:	6,5	

R22

Cooling capacity [W]

t_c \ t_e	-25	-20	-15	-10	-5	0	5	10
40	421	565	737	937	1 164	1 418	1 700	2 010
45	386	514	671	854	1 066	1 304	1 571	1 864
50	350	463	604	772	968	1 191	1 441	1 719
55	315	412	537	690	870	1 077	1 312	1 574

Power input [W]

t_c \ t_e	-25	-20	-15	-10	-5	0	5	10
40	331	367	404	440	476	512	547	583
45	334	376	418	459	501	542	584	625
50	337	385	432	479	526	573	620	667
55	340	393	446	499	552	604	657	709

Current [A]

t_c \ t_e	-25	-20	-15	-10	-5	0	5	10
40	1.60	1.75	1.90	2.06	2.22	2.39	2.57	2.75
45	1.62	1.79	1.97	2.15	2.34	2.54	2.74	2.95
50	1.63	1.83	2.04	2.25	2.46	2.68	2.91	3.15
55	1.65	1.87	2.10	2.34	2.58	2.83	3.09	3.35

Mass flow [kg/s]

$t_c \setminus t_e$	-25	-20	-15	-10	-5	0	5	10
40	9.99	13.19	17.21	22.05	27.71	34.19	41.50	49.62
45	9.45	12.45	16.26	20.90	26.36	32.64	39.74	47.67
50	8.91	11.70	15.32	19.75	25.01	31.09	37.99	45.71
55	8.37	10.96	14.37	18.61	23.66	29.54	36.24	43.76

C.O.P. [W/W]

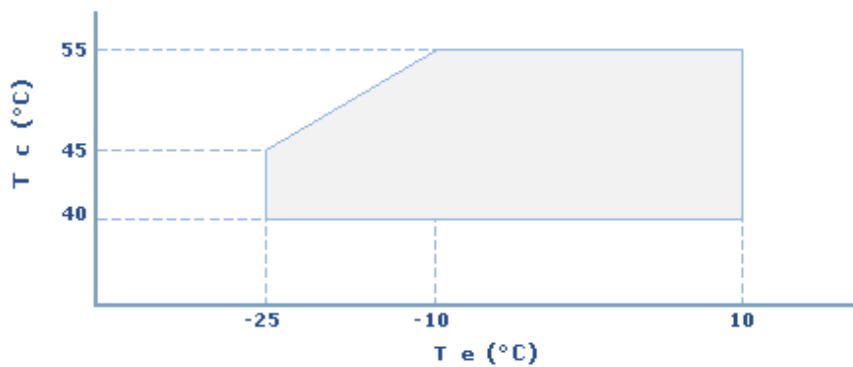
$t_c \setminus t_e$	-25	-20	-15	-10	-5	0	5	10
40	1.27	1.54	1.83	2.13	2.45	2.77	3.11	3.45
45	1.15	1.37	1.61	1.86	2.13	2.40	2.69	2.98
50	1.04	1.20	1.40	1.61	1.84	2.08	2.32	2.58
55	0.93	1.05	1.20	1.38	1.58	1.78	2.00	2.22

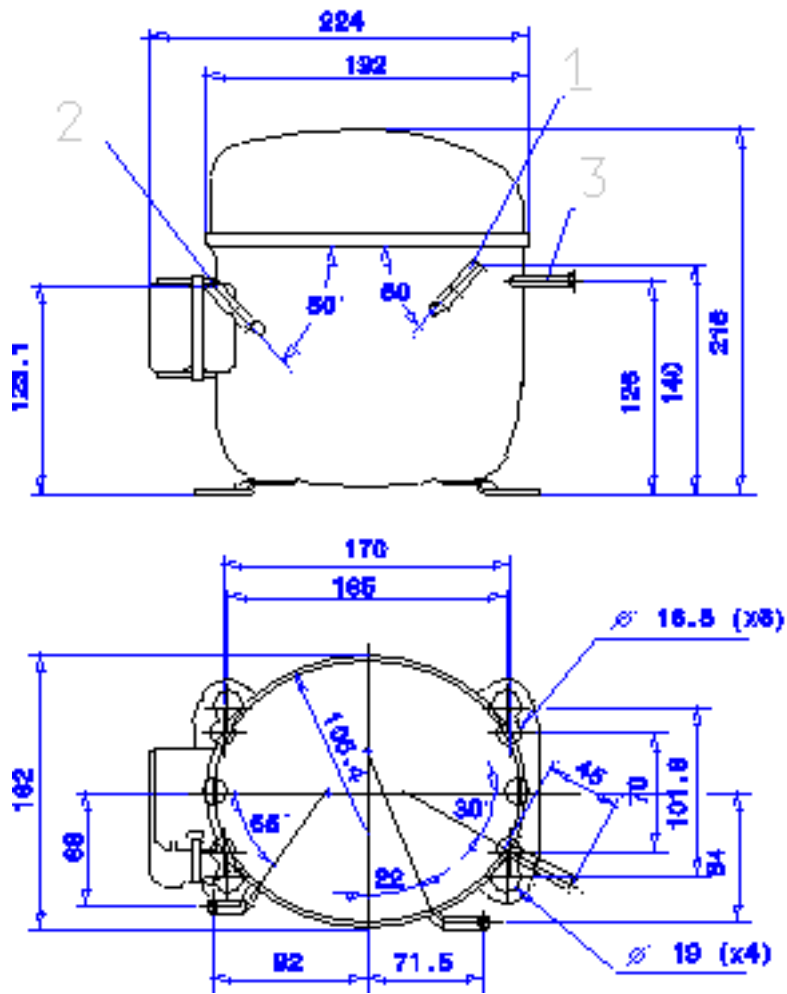
Operating conditions: ASHRAE

t_c - Condensing temperature [°C]

t_e - Evaporating temperature [°C]

Application range









CSR

