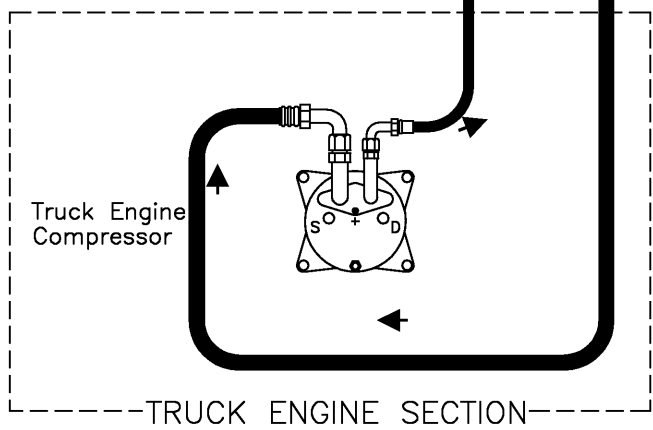
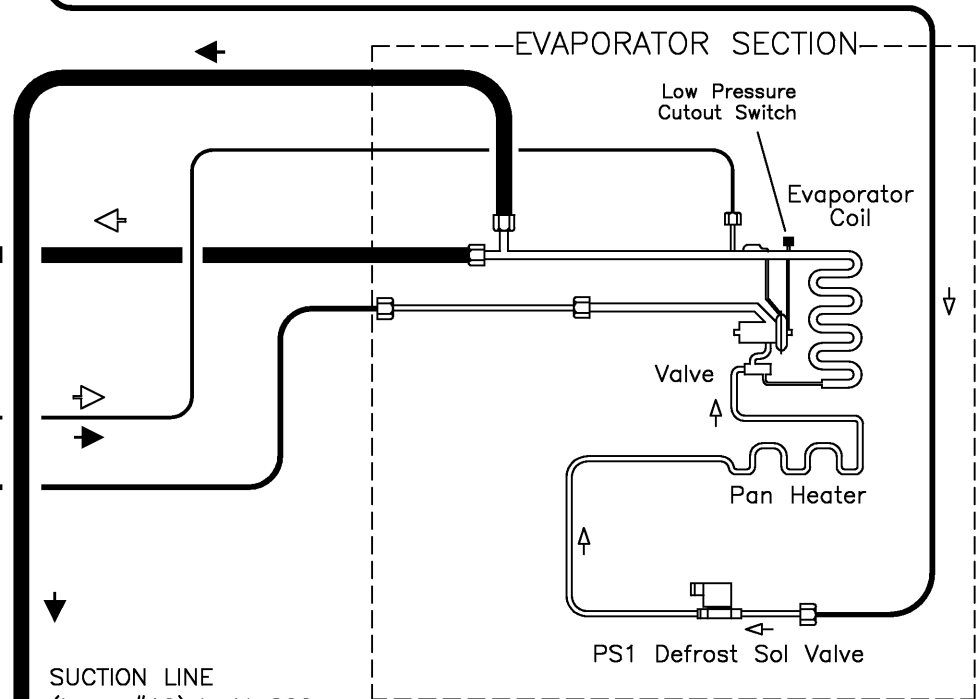
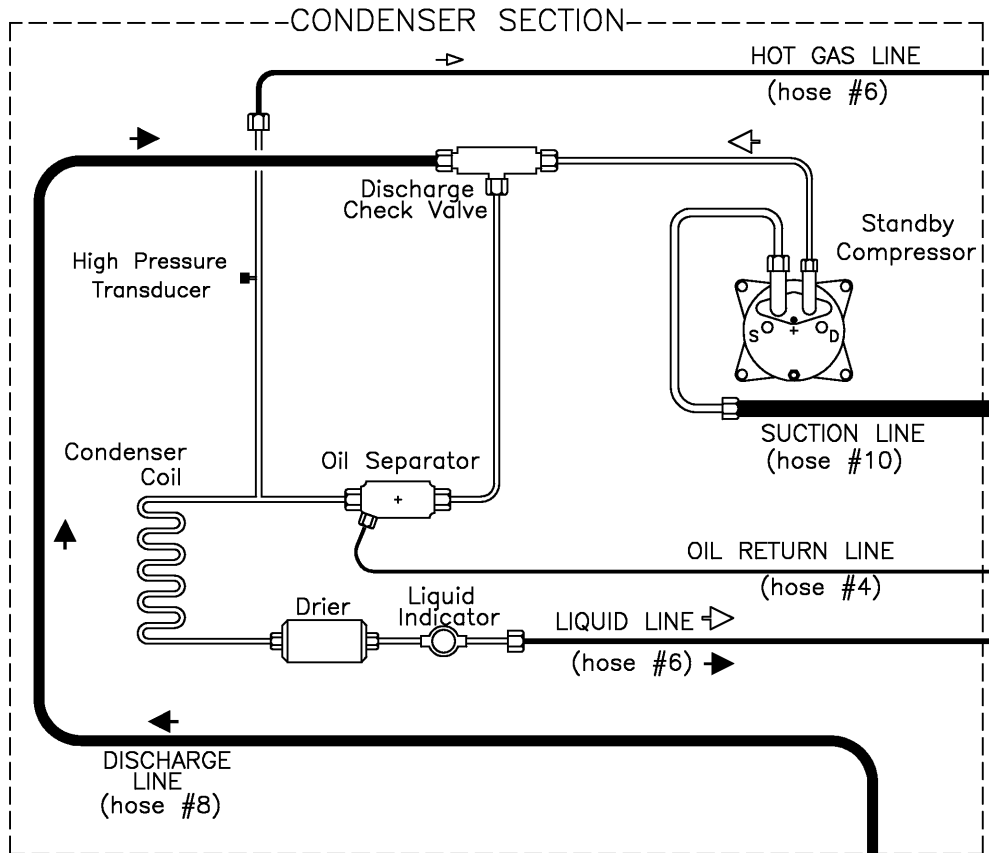


V-200/V-300-20

REVISIONS						
ECO	SYM	DESCRIPTION	DATE	BY	CHK	APP
504030	A	RELEASED	19-Jun-03	JL	EC	JL
507686	B	IN SHEET 3 OF 3 ADD HOSE #10 IN V-200 & #12 IN V-300 (MH TO EVAP)	08-Sep-04	LG	JT	LG
528655	C	IN SHEET 3, MOVED CHK VLV FROM MH TO COND. & REMOVED KVL FROM COND.	26-Dec-08	GLB	LG	JL

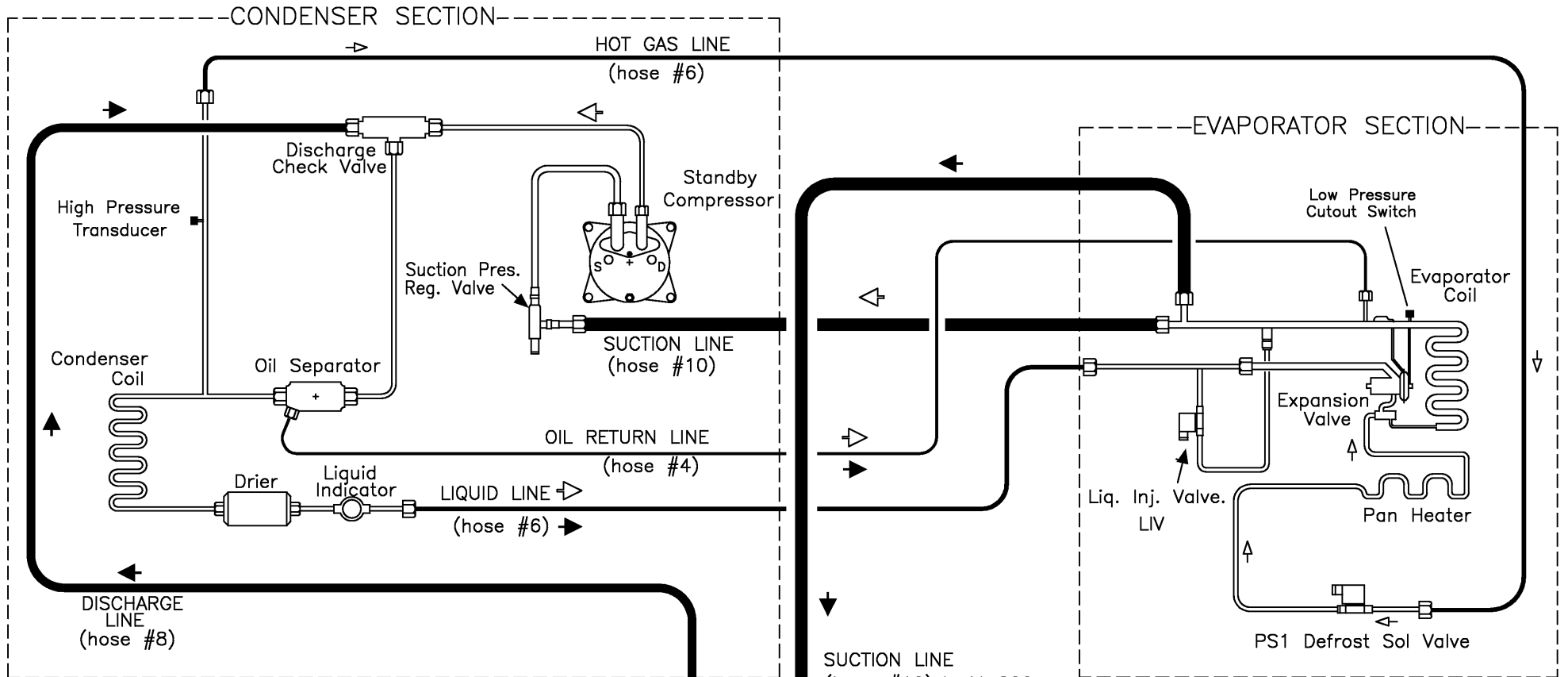


- LEGEND
- ➔ ON ROAD COOL MODE
  - STANDBY COOL MODE
  - DEFROST
  - == COPPER TUBING
  - FLEXIBLE HOSE

ITEM	PART NUMBER	REV.	DESCRIPTION	QTY.	MAT'L SPEC'S
LIST OF MATERIAL					
DRAWN	JORDI L.	DATE	19-Jun-03	DIAGRAM REFRIG. V-200/V-300 20 & 50 SERIES SHEET 1 of 3	
CHECKED	E. CANADE	DATE	25-Sep-03		
APPROVED	JORDI L.	DATE	25-Sep-03		
THIS PRINT SUPERSEDES ANY OF EARLIER DATE. DESTROY SAME.					
SCALE		/		MATERIAL:	
FINISH:				DRAWING NUMBER	
				1E17594	
				REV.	
				C	

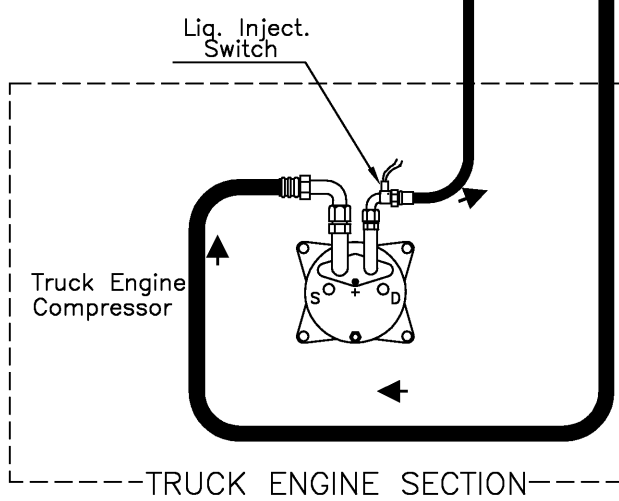
THIS DOCUMENT CONTAINS PROPRIETARY INFORMATION OF THE THERMO KING CORPORATION. IT IS TRANSMITTED TO YOU IN CONFIDENCE AND TRUST, AND IS TO BE RETURNED UPON REQUEST. ITS CONTENTS MAY NOT BE DISCLOSED IN WHOLE OR IN PART TO OTHERS OR USED FOR OTHER THAN THE PURPOSE FOR WHICH TRANSMITTED WITHOUT THE PRIOR WRITTEN PERMISSION OF THERMO KING CORPORATION.

V-200/V-300MAX-20



SUCTION LINE  
(hose #10) in V-200  
(hose #12) in V-300

- LEGEND**
- ▶ ON ROAD COOL MODE
  - ▷ STANDBY COOL MODE
  - ▷ DEFROST
  - == COPPER TUBING
  - FLEXIBLE HOSE

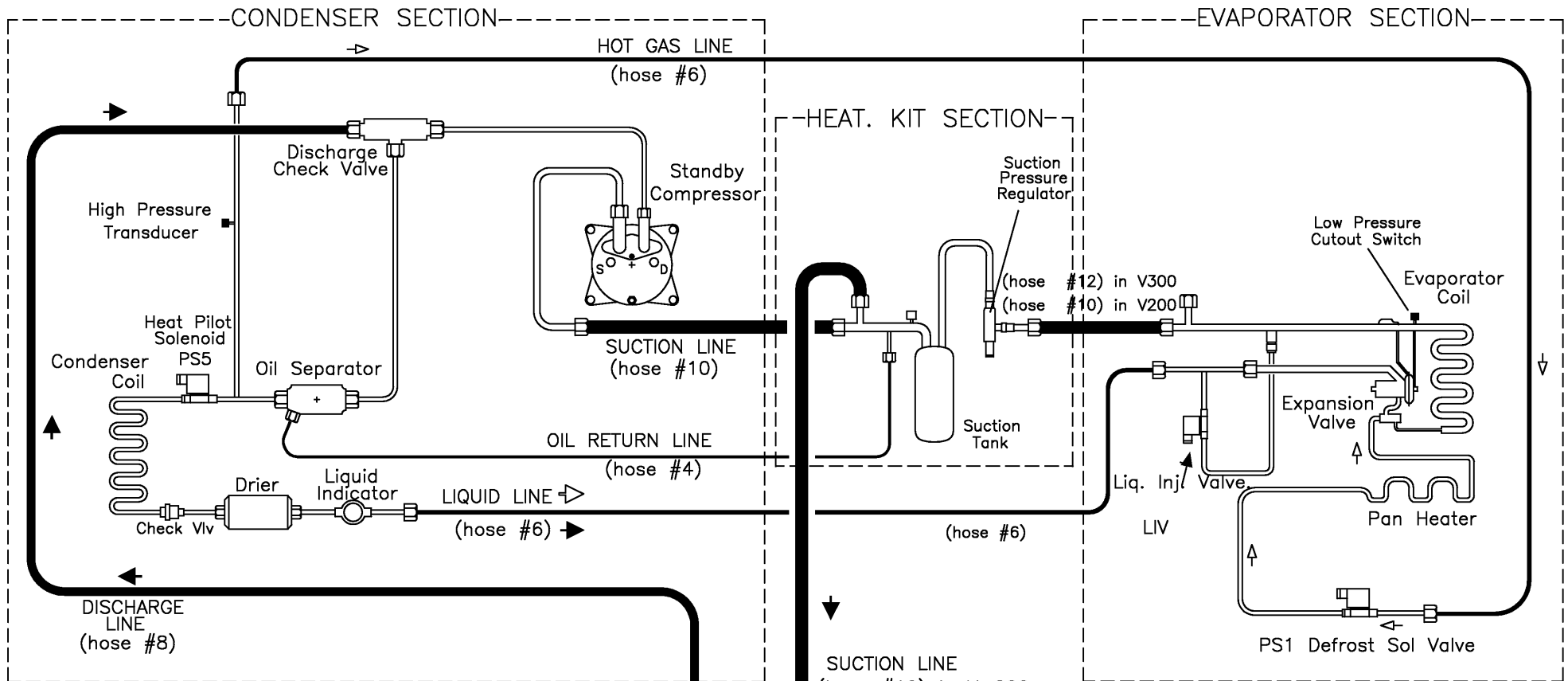


ITEM	PART NUMBER	REV.	DESCRIPTION	QTY.	MAT'L SPEC'S
LIST OF MATERIAL					
DRAWN	JORDI L.	DATE	19-Jun-03	DIAGRAM REFRIG. V-200/V-300 20 & 50 SERIES SHEET 2 of 3	
CHECKED	E. CANADE	DATE	25-Sep-03		
APPROVED	JORDI L.	DATE	25-Sep-03		
THIS PRINT SUPERSEDES ANY OF EARLIER DATE. DESTROY SAME.					
SCALE		/		MATERIAL:	
				FINISH:	
				DRAWING NUMBER	REV.
				1E17594	C

THIS DOCUMENT CONTAINS PROPRIETARY INFORMATION OF THE THERMO KING CORPORATION. IT IS TRANSMITTED TO YOU IN CONFIDENCE AND TRUST, AND IS TO BE RETURNED UPON REQUEST. ITS CONTENTS MAY NOT BE DISCLOSED IN WHOLE OR IN PART TO OTHERS OR USED FOR OTHER THAN THE PURPOSE FOR WHICH TRANSMITTED WITHOUT THE PRIOR WRITTEN PERMISSION OF THERMO KING CORPORATION.

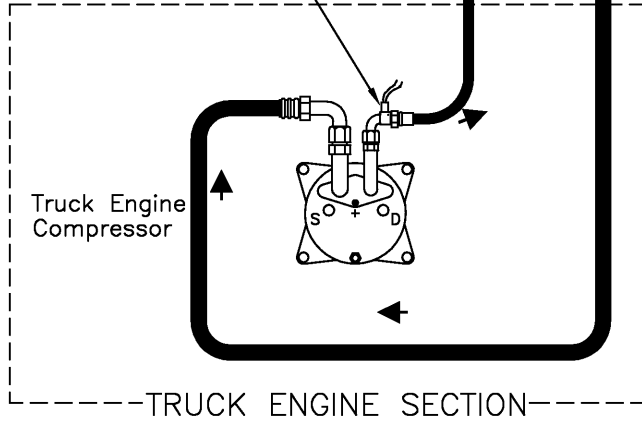


V-200/V-300MAX-50



HEAT. KIT SECTION

EVAPORATOR SECTION



SUCTION LINE  
(hose #10) in V-200  
(hose #12) in V-300

LEGEND

- ➔ ON ROAD COOL MODE
- ⤴ STANDBY COOL MODE
- ⤵ DEFROST
- COPPER TUBING
- FLEXIBLE HOSE

ITEM	PART NUMBER	REV.	DESCRIPTION	QTY.	MAT'L SPEC'S
LIST OF MATERIAL					
DRAWN	JORDI L.	19-Jun-03	DIAGRAM REFRIG. V-200/V-300 20 & 50 SERIES		
CHECKED	E. CANADE	25-Sep-03			
APPROVED	JORDI L.	25-Sep-03			
THIS PRINT SUPERSEDES ANY OF EARLIER DATE. DESTROY SAME.			SHEET <u>3</u> OF <u>3</u>	DRAWING NUMBER	REV.
SCALE /			MATERIAL:	1E17594	C
			FINISH:		

THIS DOCUMENT CONTAINS PROPRIETARY INFORMATION OF THE THERMO KING CORPORATION. IT IS TRANSMITTED TO YOU IN CONFIDENCE AND TRUST, AND IS TO BE RETURNED UPON REQUEST. ITS CONTENTS MAY NOT BE DISCLOSED IN WHOLE OR IN PART TO OTHERS OR USED FOR OTHER THAN THE PURPOSE FOR WHICH TRANSMITTED WITHOUT THE PRIOR WRITTEN PERMISSION OF THERMO KING CORPORATION.