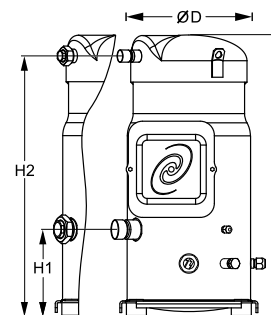


**General Characteristics**

Model number (on compressor nameplate)	SZ125S3RC	SZ125S3CC
Code number for Singlepack*	SZ125-3RI	SZ125-3CAI
Code number for Industrial pack**	SZ125-3RM	SZ125-3CAM
Drawing number	8551121a	8551121a
Suction and discharge connections	Rotolock	Brazed
Suction connection	1-3/4" Rotolock	1-3/8" ODF
Discharge connection	1-1/4" Rotolock	7/8" ODF
Suction connection with supplied sleeve	1-1/4" ODF	
Discharge connection with supplied sleeve	3/4" ODF	
Oil sight glass	Threaded	Threaded
Oil equalisation connection	3/8" flare SAE	3/8" flare SAE
Oil drain connection	1/4" NPT	1/4" NPT
LP gauge port	Schrader	Schrader
IPR valve	None	None
Swept volume	166.6 cm <sup>3</sup> /rev	
Displacement @ Nominal speed	35.0 m <sup>3</sup> /h @ 3500 rpm	
Net weight	78 kg	
Oil charge	3.8 litre, POE - 160SZ	
Maximum system test pressure Low Side / High side	25 bar(g) / 32 bar(g)	
Maximum differential test pressure	24 bar	
Maximum number of starts per hour	12	
Refrigerant charge limit	11 kg	
Approved refrigerants	R407C - R134a - (R404A - R507A)	

**Dimensions**

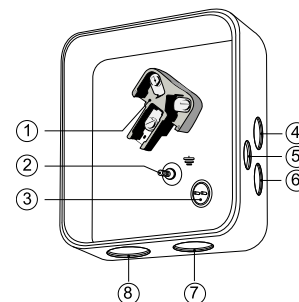


D=254 mm  
H=585.5 mm  
H1=179.5 mm  
H2=537.5 mm

**Electrical Characteristics**

Nominal voltage	200-230V/3/60Hz
Voltage range	180-253 V
Winding resistance (between phases) +/- 7% at 25°C	0.26 Ω
Maximum Must Trip current (MMT)	52 A
Locked Rotor Amps (LRA)	265 A
Motor protection	Internal thermostat, ext. overload protector needed

**Terminal box**



IP54 (with cable gland)

- 1: Power connection, 3 x 4.8 mm (3/16")
- 2: Earth M5, torque 2 Nm (17 in.lb)
- 3: Thermostat connector
- 4: Knock-out Ø 22 mm (7/8") for 1/2" conduit
- 5: Knock-out Ø 16.5 mm (0.65")
- 6: Knock-out Ø 20.5 mm (0.81")
- 7: Double knock-out Ø 32.1 mm (1.26") & Ø 25.4 mm (1")
- 8: Double knock-out Ø 44 mm (1-3/4") for 1-1/4" conduit & Ø 34 mm (1-3/8") for 1" conduit

**Recommended Installation torques**

Suction Rotolock nut or valve	110 Nm
Discharge Rotolock nut or valve	90 Nm
Oil sight glass	50 Nm
Power connections / Earth connection	3 Nm / 2 Nm
Terminal box cover screws	2.3 Nm
Mounting bolts	21 Nm

**Parts shipped with compressor**

Mounting kit with grommets, bolts, nuts, sleeves and washers
Initial oil charge
Installation instructions

**Approvals** : CE certified, UL certified (file SA6873), -

\*Singlepack: Compressor in cardboard box

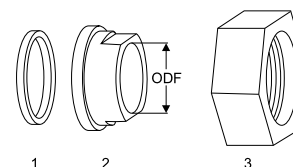
\*\*Industrial pack: 6 Unboxed compressors on pallet (order per multiples of 6)

**Rotolock accessories, suction side**

**Code no.**

Solder sleeve, P02 (1-3/4" Rotolock, 1-1/8" ODF)	8153004
Solder sleeve, P10 (1-3/4" Rotolock, 1-3/8" ODF)	8153003
Angle adapter, C02 (1-3/4" Rotolock, 1-1/8" ODF)	8168005
Rotolock valve, V02 (1-3/4" Rotolock, 1-1/8" ODF)	8168028
Rotolock valve, V10 (1-3/4" Rotolock, 1-3/8" ODF)	8168022
Gasket, 1-3/4"	8156132

**Gaskets, sleeves and nuts**



- 1: Gasket
- 2: Solder sleeve
- 3: Rotolock nut

**Rotolock accessories, discharge side**

**Code no.**

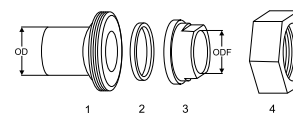
Solder sleeve, P04 (1-1/4" Rotolock, 3/4" ODF)	8153008
Solder sleeve with rotolock, P05 (1-1/4" Rotolock, 7/8" ODS)	8153012
Angle adapter, C04 (1-1/4" Rotolock, 3/4" ODF)	8168006
Rotolock valve, V04 (1-1/4" Rotolock, 3/4" ODF)	8168029
Rotolock valve, V05 (1-1/4" Rotolock, 7/8" ODF)	8168030
Gasket, 1-1/4"	8156131

**Rotolock accessories, sets**

**Code no.**

Solder sleeve adapter set (1-3/4"~1-3/8"), (1-1/4"~7/8")	7765006
Angle adapter set, C02 (1-3/4"~1-1/8"), C04 (1-1/4"~3/4")	7703014
Valve set, V02 (1-3/4"~1-1/8"), V04 (1-1/4"~3/4")	7703009
Gasket set, 1", 1-1/4", 1-3/4", OSG gaskets black & white	8156009

**Solder sleeve adapter set**



- 1: Rotolock adapter (Suc & Dis)
- 2: Gasket (Suc & Dis)
- 3: Solder sleeve (Suc & Dis)
- 4: Rotolock nut (Suc & Dis)

**Oil / lubricants**

**Code no.**

POE lubricant, 160SZ, 1 litre can	7754023
POE lubricant, 160SZ, 2 litre can	7754024
POE lubricant, 160SZ, 1 gallon can	7754027

**Crankcase heaters**

**Code no.**

Belt type crankcase heater, 65 W, 110 V, CE mark, UL	7773109
Belt type crankcase heater, 65 W, 230 V, CE mark, UL	7773107
Belt type crankcase heater, 50 W, 110 V, UL	7773010
Belt type crankcase heater, 50 W, 240 V, UL	7773003

**Miscellaneous accessories**

**Code no.**

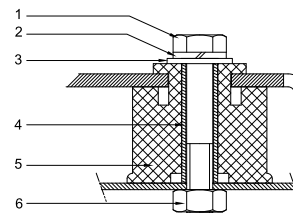
Acoustic hood for scroll compressor S115-S125	7755009
Discharge thermostat kit	7750009

**Spare parts**

**Code no.**

Mounting kit for 1 scroll compressor including 4 grommets, 4 sleeves, 4 bolts, 4 washers	8156138
Mounting kit for 1 scroll compressor including 4 grommets, 4 sleeves, 4 bolts, 4 washers, 2 rotolock nuts, 2 solder sleeves, 2 gaskets	8156146
Oil sight glass with gaskets (black & white)	8156019
Gasket for oil sight glass (white teflon)	8156129
Terminal box 186 x 198 mm, incl cover	8156139
T block connector 60 x 75 mm	8173021

**Mounting kit**



- 1: Bolt (4x)
- 2: Lock washer (4x)
- 3: Flat washer (4x)
- 4: Sleeve (4x)
- 5: Grommet (4x)
- 6: Nut (4x)

Performance data at 60 Hz, EN 12900 rating conditions

R407C

Cond. temp. in °C (tc)	Evaporating temperature in °C (to)							
	-20	-15	-10	-5	0	5	10	15

Cooling capacity in W

30	13 334	16 999	21 377	26 544	32 574	39 542	47 522	56 589	-
35	12 488	16 038	20 264	25 240	31 039	37 737	45 408	54 126	-
40	11 608	15 019	19 067	23 825	29 368	35 770	43 105	51 447	-
45	-	13 939	17 783	22 298	27 559	33 640	40 613	48 552	-
50	-	-	16 412	20 659	25 612	31 344	37 929	45 440	-
55	-	-	-	18 907	23 526	28 883	35 053	42 107	-
60	-	-	-	-	21 298	26 255	31 982	38 551	-
65	-	-	-	-	18 927	23 455	28 711	34 767	-

Power input in W

30	6 221	6 308	6 377	6 420	6 431	6 403	6 330	6 204	-
35	6 888	6 977	7 049	7 096	7 111	7 088	7 021	6 901	-
40	7 660	7 752	7 827	7 878	7 898	7 881	7 820	7 708	-
45	-	8 647	8 725	8 781	8 807	8 796	8 742	8 637	-
50	-	-	9 759	9 820	9 851	9 847	9 800	9 704	-
55	-	-	-	11 008	11 046	11 049	11 010	10 922	-
60	-	-	-	-	12 405	12 415	12 385	12 307	-
65	-	-	-	-	13 943	13 962	13 940	13 872	-

Current consumption in A

30	21.72	21.94	22.12	22.21	22.22	22.12	21.89	21.51	-
35	23.36	23.59	23.78	23.89	23.91	23.83	23.62	23.27	-
40	25.31	25.55	25.75	25.88	25.92	25.86	25.67	25.35	-
45	-	27.87	28.08	28.23	28.29	28.25	28.09	27.79	-
50	-	-	30.82	30.98	31.07	31.05	30.92	30.66	-
55	-	-	-	34.20	34.30	34.32	34.22	33.99	-
60	-	-	-	-	38.05	38.09	38.02	37.82	-
65	-	-	-	-	42.34	42.41	42.38	42.22	-

Mass flow in kg/h

30	278	348	430	524	632	755	895	1 052	-
35	273	344	427	522	630	754	894	1 052	-
40	267	339	422	518	627	751	891	1 048	-
45	-	333	417	512	621	745	885	1 042	-
50	-	-	409	504	613	737	876	1 032	-
55	-	-	-	494	602	725	863	1 018	-
60	-	-	-	-	588	709	846	1 000	-
65	-	-	-	-	570	690	825	977	-

Coefficient of performance (C.O.P.)

30	2.14	2.69	3.35	4.13	5.06	6.18	7.51	9.12	-
35	1.81	2.30	2.87	3.56	4.36	5.32	6.47	7.84	-
40	1.52	1.94	2.44	3.02	3.72	4.54	5.51	6.67	-
45	-	1.61	2.04	2.54	3.13	3.82	4.65	5.62	-
50	-	-	1.68	2.10	2.60	3.18	3.87	4.68	-
55	-	-	-	1.72	2.13	2.61	3.18	3.86	-
60	-	-	-	-	1.72	2.11	2.58	3.13	-
65	-	-	-	-	1.36	1.68	2.06	2.51	-

Nominal performance at to = 5 °C, tc = 50 °C

Cooling capacity	31 344	W
Power input	9 847	W
Current consumption	31.05	A
Mass flow	737	kg/h
C.O.P.	3.18	

Pressure switch settings

Maximum HP switch setting	29.5	bar(g)
Minimum LP switch setting	0.2	bar(g)
LP pump down setting	1	bar(g)

Sound power data

Sound power level	81	dB(A)
With acoustic hood	73	dB(A)

to: Evaporating temperature at dew point

tc: Condensing temperature at dew point

Rating conditions : Superheat = 10 K, Subcooling = 0 K

All performance data +/- 5%

Danfoss can accept no responsibility for possible errors in catalogues, brochures and other printed material. Danfoss reserves the right to alter its products without notice. This also applies to products already on order provided that such alternations can be made without subsequential changes being necessary in specifications already agreed. All trademarks in this material are property of the respective companies. Danfoss, the Danfoss logotype and Performer are trademarks of Danfoss A/S. All rights reserved.

Performance data at 60 Hz, ARI rating conditions

R407C

Cond. temp. in °C (tc)	Evaporating temperature in °C (to)							
	-20	-15	-10	-5	0	5	10	15

Cooling capacity in W

30	14 301	18 210	22 875	28 374	34 784	42 183	50 648	60 256	-
35	13 459	17 263	21 785	27 102	33 291	40 431	48 598	57 871	-
40	12 581	16 254	20 606	25 715	31 658	38 512	46 356	55 267	-
45	-	15 182	19 338	24 212	29 883	36 426	43 920	52 442	-
50	-	-	17 978	22 592	27 964	34 170	41 288	49 396	-
55	-	-	-	20 853	25 900	31 742	38 459	46 127	-
60	-	-	-	-	23 689	29 142	35 430	42 632	-
65	-	-	-	-	21 329	26 367	32 201	38 910	-

Power input in W

30	6 221	6 308	6 377	6 420	6 431	6 403	6 330	6 204	-
35	6 888	6 977	7 049	7 096	7 111	7 088	7 021	6 901	-
40	7 660	7 752	7 827	7 878	7 898	7 881	7 820	7 708	-
45	-	8 647	8 725	8 781	8 807	8 796	8 742	8 637	-
50	-	-	9 759	9 820	9 851	9 847	9 800	9 704	-
55	-	-	-	11 008	11 046	11 049	11 010	10 922	-
60	-	-	-	-	12 405	12 415	12 385	12 307	-
65	-	-	-	-	13 943	13 962	13 940	13 872	-

Current consumption in A

30	21.72	21.94	22.12	22.21	22.22	22.12	21.89	21.51	-
35	23.36	23.59	23.78	23.89	23.91	23.83	23.62	23.27	-
40	25.31	25.55	25.75	25.88	25.92	25.86	25.67	25.35	-
45	-	27.87	28.08	28.23	28.29	28.25	28.09	27.79	-
50	-	-	30.82	30.98	31.07	31.05	30.92	30.66	-
55	-	-	-	34.20	34.30	34.32	34.22	33.99	-
60	-	-	-	-	38.05	38.09	38.02	37.82	-
65	-	-	-	-	42.34	42.41	42.38	42.22	-

Mass flow in kg/h

30	277	346	427	521	628	751	889	1 045	-
35	272	342	424	519	627	750	889	1 045	-
40	266	337	420	515	623	747	886	1 042	-
45	-	332	414	509	618	741	880	1 036	-
50	-	-	407	502	610	732	871	1 026	-
55	-	-	-	492	599	721	858	1 012	-
60	-	-	-	-	585	705	841	993	-
65	-	-	-	-	567	686	820	971	-

Coefficient of performance (C.O.P.)

30	2.30	2.89	3.59	4.42	5.41	6.59	8.00	9.71	-
35	1.95	2.47	3.09	3.82	4.68	5.70	6.92	8.39	-
40	1.64	2.10	2.63	3.26	4.01	4.89	5.93	7.17	-
45	-	1.76	2.22	2.76	3.39	4.14	5.02	6.07	-
50	-	-	1.84	2.30	2.84	3.47	4.21	5.09	-
55	-	-	-	1.89	2.34	2.87	3.49	4.22	-
60	-	-	-	-	1.91	2.35	2.86	3.46	-
65	-	-	-	-	1.53	1.89	2.31	2.80	-

Nominal performance at to = 7.2 °C, tc = 54.4 °C

Cooling capacity	34 907	W
Power input	10 884	W
Current consumption	33.87	A
Mass flow	781	kg/h
C.O.P.	3.21	

Pressure switch settings

Maximum HP switch setting	29.5	bar(g)
Minimum LP switch setting	0.2	bar(g)
LP pump down setting	1	bar(g)

Sound power data

Sound power level	81	dB(A)
With acoustic hood	73	dB(A)

to: Evaporating temperature at dew point

tc: Condensing temperature at dew point

Rating conditions : Superheat = 11.1 K , Subcooling = 8.3 K

All performance data +/- 5%

Danfoss can accept no responsibility for possible errors in catalogues, brochures and other printed material. Danfoss reserves the right to alter its products without notice. This also applies to products already on order provided that such alternations can be made without subsequential changes being necessary in specifications already agreed. All trademarks in this material are property of the respective companies. Danfoss, the Danfoss logotype and Performer are trademarks of Danfoss A/S. All rights reserved.

Performance data at 60 Hz, EN 12900 rating conditions

R134a

Cond. temp. in °C (tc)	Evaporating temperature in °C (to)							
	-15	-10	-5	0	5	10	15	

Cooling capacity in W

35	10 659	13 532	16 937	20 930	25 569	30 911	37 015	-	-
40	9 995	12 767	16 048	19 894	24 364	29 514	35 402	-	-
45	9 310	11 968	15 111	18 797	23 083	28 027	33 685	-	-
50	8 608	11 137	14 129	17 641	21 730	26 453	31 867	-	-
55	-	10 277	13 105	16 429	20 306	24 794	29 949	-	-
60	-	-	12 040	15 162	18 814	23 052	27 934	-	-
65	-	-	-	13 844	17 256	21 229	25 822	-	-
70	-	-	-	12 476	15 632	19 326	23 613	-	-

Power input in W

35	4 808	4 878	4 934	4 974	4 991	4 981	4 940	-	-
40	5 302	5 374	5 433	5 476	5 497	5 492	5 456	-	-
45	5 860	5 935	5 997	6 044	6 069	6 069	6 038	-	-
50	6 488	6 566	6 632	6 682	6 712	6 717	6 693	-	-
55	-	7 273	7 343	7 398	7 432	7 443	7 424	-	-
60	-	-	8 136	8 195	8 235	8 251	8 239	-	-
65	-	-	-	9 080	9 126	9 149	9 143	-	-
70	-	-	-	10 059	10 111	10 140	10 141	-	-

Current consumption in A

35	19.13	19.29	19.41	19.49	19.49	19.43	19.27	-	-
40	20.29	20.47	20.60	20.69	20.71	20.66	20.53	-	-
45	21.66	21.84	21.99	22.09	22.13	22.10	21.99	-	-
50	23.24	23.44	23.60	23.72	23.78	23.77	23.68	-	-
55	-	25.28	25.46	25.59	25.67	25.69	25.62	-	-
60	-	-	27.58	27.73	27.84	27.88	27.84	-	-
65	-	-	-	30.16	30.29	30.35	30.34	-	-
70	-	-	-	32.90	33.05	33.14	33.16	-	-

Mass flow in kg/h

35	258	321	393	476	570	677	797	-	-
40	254	318	391	474	569	676	797	-	-
45	250	314	388	472	567	675	795	-	-
50	245	310	384	468	564	671	792	-	-
55	-	305	379	463	559	667	788	-	-
60	-	-	373	457	553	661	781	-	-
65	-	-	-	450	545	653	773	-	-
70	-	-	-	441	536	643	763	-	-

Coefficient of performance (C.O.P.)

35	2.22	2.77	3.43	4.21	5.12	6.21	7.49	-	-
40	1.89	2.38	2.95	3.63	4.43	5.37	6.49	-	-
45	1.59	2.02	2.52	3.11	3.80	4.62	5.58	-	-
50	1.33	1.70	2.13	2.64	3.24	3.94	4.76	-	-
55	-	1.41	1.78	2.22	2.73	3.33	4.03	-	-
60	-	-	1.48	1.85	2.28	2.79	3.39	-	-
65	-	-	-	1.52	1.89	2.32	2.82	-	-
70	-	-	-	1.24	1.55	1.91	2.33	-	-

Nominal performance at to = 5 °C, tc = 50 °C

Cooling capacity	21 730	W
Power input	6 712	W
Current consumption	23.78	A
Mass flow	564	kg/h
C.O.P.	3.24	

Pressure switch settings

Maximum HP switch setting	20.5	bar(g)
Minimum LP switch setting	0.2	bar(g)
LP pump down setting	0.5	bar(g)

Sound power data

Sound power level	0	dB(A)
With acoustic hood	0	dB(A)

to: Evaporating temperature at dew point

tc: Condensing temperature at dew point

Rating conditions : Superheat = 10 K, Subcooling = 0 K

All performance data +/- 5%

Danfoss can accept no responsibility for possible errors in catalogues, brochures and other printed material. Danfoss reserves the right to alter its products without notice. This also applies to products already on order provided that such alternations can be made without subsequential changes being necessary in specifications already agreed. All trademarks in this material are property of the respective companies. Danfoss, the Danfoss logotype and Performer are trademarks of Danfoss A/S. All rights reserved.

Performance data at 60 Hz, ARI rating conditions

R134a

Cond. temp. in °C (tc)	Evaporating temperature in °C (to)							
	-15	-10	-5	0	5	10	15	

Cooling capacity in W

35	11 545	14 633	18 285	22 560	27 519	33 222	39 727	-	-
40	10 885	13 878	17 413	21 549	26 347	31 866	38 165	-	-
45	10 203	13 087	16 491	20 474	25 096	30 417	36 497	-	-
50	9 501	12 263	15 522	19 338	23 771	28 880	34 725	-	-
55	-	11 409	14 509	18 144	22 373	27 256	32 854	-	-
60	-	-	13 454	16 894	20 905	25 549	30 884	-	-
65	-	-	-	15 591	19 371	23 761	28 820	-	-
70	-	-	-	14 239	17 774	21 896	26 665	-	-

Power input in W

35	4 808	4 878	4 934	4 974	4 991	4 981	4 940	-	-
40	5 302	5 374	5 433	5 476	5 497	5 492	5 456	-	-
45	5 860	5 935	5 997	6 044	6 069	6 069	6 038	-	-
50	6 488	6 566	6 632	6 682	6 712	6 717	6 693	-	-
55	-	7 273	7 343	7 398	7 432	7 443	7 424	-	-
60	-	-	8 136	8 195	8 235	8 251	8 239	-	-
65	-	-	-	9 080	9 126	9 149	9 143	-	-
70	-	-	-	10 059	10 111	10 140	10 141	-	-

Current consumption in A

35	19.13	19.29	19.41	19.49	19.49	19.43	19.27	-	-
40	20.29	20.47	20.60	20.69	20.71	20.66	20.53	-	-
45	21.66	21.84	21.99	22.09	22.13	22.10	21.99	-	-
50	23.24	23.44	23.60	23.72	23.78	23.77	23.68	-	-
55	-	25.28	25.46	25.59	25.67	25.69	25.62	-	-
60	-	-	27.58	27.73	27.84	27.88	27.84	-	-
65	-	-	-	30.16	30.29	30.35	30.34	-	-
70	-	-	-	32.90	33.05	33.14	33.16	-	-

Mass flow in kg/h

35	257	319	391	473	567	673	792	-	-
40	253	316	389	472	566	673	792	-	-
45	249	313	386	469	564	671	791	-	-
50	244	308	382	466	561	668	788	-	-
55	-	303	377	461	556	663	783	-	-
60	-	-	371	455	550	657	777	-	-
65	-	-	-	448	542	649	769	-	-
70	-	-	-	439	533	640	759	-	-

Coefficient of performance (C.O.P.)

35	2.40	3.00	3.71	4.54	5.51	6.67	8.04	-	-
40	2.05	2.58	3.20	3.94	4.79	5.80	6.99	-	-
45	1.74	2.21	2.75	3.39	4.14	5.01	6.04	-	-
50	1.46	1.87	2.34	2.89	3.54	4.30	5.19	-	-
55	-	1.57	1.98	2.45	3.01	3.66	4.43	-	-
60	-	-	1.65	2.06	2.54	3.10	3.75	-	-
65	-	-	-	1.72	2.12	2.60	3.15	-	-
70	-	-	-	1.42	1.76	2.16	2.63	-	-

Nominal performance at to = 7.2 °C, tc = 54.4 °C

Cooling capacity	24 621	W
Power input	7 349	W
Current consumption	25.45	A
Mass flow	602	kg/h
C.O.P.	3.35	

Pressure switch settings

Maximum HP switch setting	20.5	bar(g)
Minimum LP switch setting	0.2	bar(g)
LP pump down setting	0.5	bar(g)

Sound power data

Sound power level	0	dB(A)
With acoustic hood	0	dB(A)

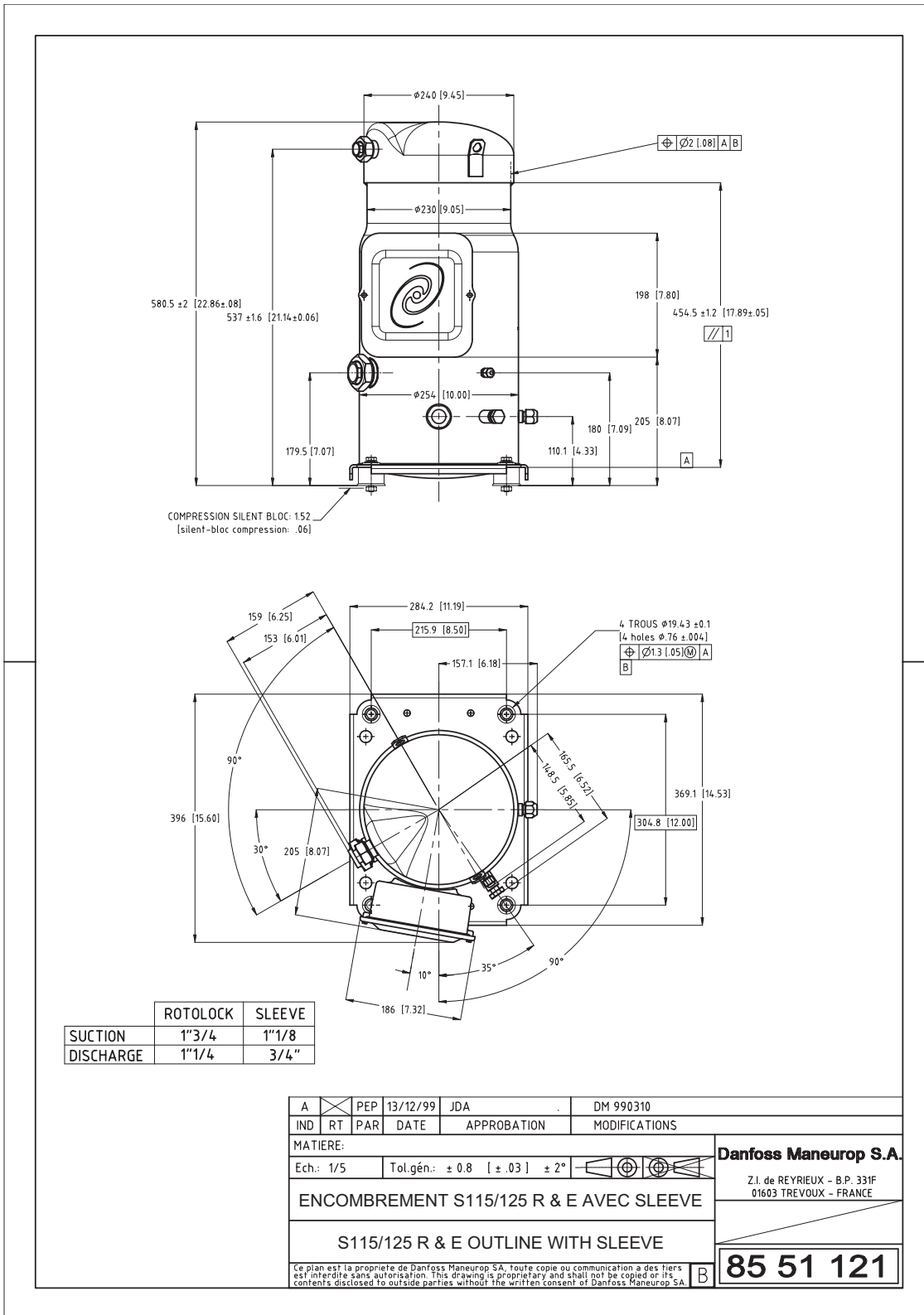
to: Evaporating temperature at dew point

tc: Condensing temperature at dew point

Rating conditions : Superheat = 11.1 K , Subcooling = 8.3 K

All performance data +/- 5%

Danfoss can accept no responsibility for possible errors in catalogues, brochures and other printed material. Danfoss reserves the right to alter its products without notice. This also applies to products already on order provided that such alternations can be made without subsequential changes being necessary in specifications already agreed. All trademarks in this material are property of the respective companies. Danfoss, the Danfoss logotype and Performer are trademarks of Danfoss A/S. All rights reserved.



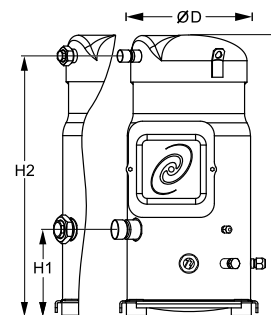
Danfoss can accept no responsibility for possible errors in catalogues, brochures and other printed material. Danfoss reserves the right to alter its products without notice. This also applies to products already on order provided that such alternations can be made without consequential changes being necessary in specifications already agreed. All trademarks in this material are property of the respective companies. Danfoss, the Danfoss logotype and Performer are trademarks of Danfoss A/S. All rights reserved.



**General Characteristics**

Model number (on compressor nameplate)	SZ125S4RC	SZ125S4CC
Code number for Singlepack*	SZ125-4RI	SZ125-4CAI
Code number for Industrial pack**	SZ125-4RM	SZ125-4CAM
Drawing number	8551121a	8551121a
Suction and discharge connections	Rotolock	Brazed
Suction connection	1-3/4" Rotolock	1-3/8" ODF
Discharge connection	1-1/4" Rotolock	7/8" ODF
Suction connection with supplied sleeve	1-1/8" ODF	
Discharge connection with supplied sleeve	3/4" ODF	
Oil sight glass	Threaded	Threaded
Oil equalisation connection	3/8" flare SAE	3/8" flare SAE
Oil drain connection	1/4" NPT	1/4" NPT
LP gauge port	Schrader	Schrader
IPR valve	None	None
Swept volume	166.6 cm <sup>3</sup> /rev	
Displacement @ Nominal speed	29.0 m <sup>3</sup> /h @ 2900 rpm - 35.0 m <sup>3</sup> /h @ 3500 rpm	
Net weight	78 kg	
Oil charge	3.8 litre, POE - 160SZ	
Maximum system test pressure Low Side / High side	25 bar(g) / 32 bar(g)	
Maximum differential test pressure	24 bar	
Maximum number of starts per hour	12	
Refrigerant charge limit	11 kg	
Approved refrigerants	R407C - R134a - (R404A - R507A)	

**Dimensions**

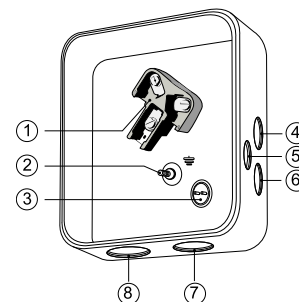


D=254 mm  
H=585.5 mm  
H1=179.5 mm  
H2=537.5 mm

**Electrical Characteristics**

Nominal voltage	380-400V/3/50Hz - 460V/3/60Hz
Voltage range	340-440 V @ 50Hz - 414-506 V @ 60Hz
Winding resistance (between phases) +/- 7% at 25°C	1.16 Ω
Maximum Must Trip current (MMT)	25 A
Locked Rotor Amps (LRA)	120 A
Motor protection	Internal thermostat, ext. overload protector needed

**Terminal box**



IP54 (with cable gland)

- 1: Power connection, 3 x 4.8 mm (3/16")
- 2: Earth M5, torque 2 Nm (17 in.lb)
- 3: Thermostat connector
- 4: Knock-out Ø 22 mm (7/8") for 1/2" conduit
- 5: Knock-out Ø 16.5 mm (0.65")
- 6: Knock-out Ø 20.5 mm (0.81")
- 7: Double knock-out Ø 32.1 mm (1.26") & Ø 25.4 mm (1")
- 8: Double knock-out Ø 44 mm (1-3/4") for 1-1/4" conduit & Ø 34 mm (1-3/8") for 1" conduit

**Recommended Installation torques**

Suction Rotolock nut or valve	110 Nm
Discharge Rotolock nut or valve	90 Nm
Oil sight glass	50 Nm
Power connections / Earth connection	3 Nm / 2 Nm
Terminal box cover screws	2.3 Nm
Mounting bolts	21 Nm

**Parts shipped with compressor**

Mounting kit with grommets, bolts, nuts, sleeves and washers
Initial oil charge
Installation instructions

**Approvals** : CE certified, UL certified (file SA6873), -

\*Singlepack: Compressor in cardboard box

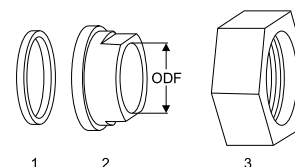
\*\*Industrial pack: 6 Unboxed compressors on pallet (order per multiples of 6)

**Rotolock accessories, suction side**

**Code no.**

Solder sleeve, P02 (1-3/4" Rotolock, 1-1/8" ODF)	8153004
Solder sleeve, P10 (1-3/4" Rotolock, 1-3/8" ODF)	8153003
Angle adapter, C02 (1-3/4" Rotolock, 1-1/8" ODF)	8168005
Rotolock valve, V02 (1-3/4" Rotolock, 1-1/8" ODF)	8168028
Rotolock valve, V10 (1-3/4" Rotolock, 1-3/8" ODF)	8168022
Gasket, 1-3/4"	8156132

**Gaskets, sleeves and nuts**



- 1: Gasket
- 2: Solder sleeve
- 3: Rotolock nut

**Rotolock accessories, discharge side**

**Code no.**

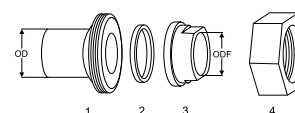
Solder sleeve, P04 (1-1/4" Rotolock, 3/4" ODF)	8153008
Solder sleeve with rotolock, P05 (1-1/4" Rotolock, 7/8" ODS)	8153012
Angle adapter, C04 (1-1/4" Rotolock, 3/4" ODF)	8168006
Rotolock valve, V04 (1-1/4" Rotolock, 3/4" ODF)	8168029
Rotolock valve, V05 (1-1/4" Rotolock, 7/8" ODF)	8168030
Gasket, 1-1/4"	8156131

**Rotolock accessories, sets**

**Code no.**

Solder sleeve adapter set (1-3/4"~1-3/8"), (1-1/4"~7/8")	7765006
Angle adapter set, C02 (1-3/4"~1-1/8"), C04 (1-1/4"~3/4")	7703014
Valve set, V02 (1-3/4"~1-1/8"), V04 (1-1/4"~3/4")	7703009
Gasket set, 1", 1-1/4", 1-3/4", OSG gaskets black & white	8156009

**Solder sleeve adapter set**



- 1: Rotolock adapter (Suc & Dis)
- 2: Gasket (Suc & Dis)
- 3: Solder sleeve (Suc & Dis)
- 4: Rotolock nut (Suc & Dis)

**Oil / lubricants**

**Code no.**

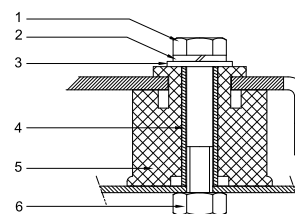
POE lubricant, 160SZ, 1 litre can	7754023
POE lubricant, 160SZ, 2 litre can	7754024
POE lubricant, 160SZ, 1 gallon can	7754027

**Crankcase heaters**

**Code no.**

Belt type crankcase heater, 65 W, 110 V, CE mark, UL	7773109
Belt type crankcase heater, 65 W, 230 V, CE mark, UL	7773107
Belt type crankcase heater, 65 W, 400 V, CE mark, UL	7773117
Belt type crankcase heater, 50 W, 110 V, UL	7773010
Belt type crankcase heater, 50 W, 240 V, UL	7773003
Belt type crankcase heater, 50 W, 400 V, UL	7773009
Belt type crankcase heater, 50 W, 460 V, UL	7773006

**Mounting kit**



- 1: Bolt (4x)
- 2: Lock washer (4x)
- 3: Flat washer (4x)
- 4: Sleeve (4x)
- 5: Grommet (4x)
- 6: Nut (4x)

**Miscellaneous accessories**

**Code no.**

Electronic soft start kit, MCI 25 C	7705007
Soft start kit with statoric resistors, prewired box, SCR03	7705001
Acoustic hood for scroll compressor S115-S125	7755009
Discharge thermostat kit	7750009

**Spare parts**

**Code no.**

Mounting kit for 1 scroll compressor including 4 grommets, 4 sleeves, 4 bolts, 4 washers	8156138
Mounting kit for 1 scroll compressor including 4 grommets, 4 sleeves, 4 bolts, 4 washers, 2 rotolock nuts, 2 solder sleeves, 2 gaskets	8156146
Oil sight glass with gaskets (black & white)	8156019
Gasket for oil sight glass (white teflon)	8156129
Terminal box 186 x 198 mm, incl cover	8156139
T block connector 60 x 75 mm	8173021

Danfoss can accept no responsibility for possible errors in catalogues, brochures and other printed material. Danfoss reserves the right to alter its products without notice. This also applies to products already on order provided that such alternations can be made without subsequential changes being necessary in specifications already agreed. All trademarks in this material are property of the respective companies. Danfoss, the Danfoss logotype and Performer are trademarks of Danfoss A/S. All rights reserved.

**Performance data at 50 Hz, EN 12900 rating conditions**
**R407C**

Cond. temp. in °C (tc)	Evaporating temperature in °C (to)							
	-20	-15	-10	-5	0	5	10	15

**Cooling capacity in W**

30	10 735	13 780	17 403	21 662	26 618	32 329	38 856	46 257	-
35	10 006	12 963	16 469	20 583	25 363	30 869	37 161	44 297	-
40	9 235	12 086	15 456	19 404	23 990	29 271	35 307	42 157	-
45	-	11 144	14 358	18 121	22 492	27 528	33 288	39 833	-
50	-	-	13 170	16 729	20 864	25 635	31 100	37 318	-
55	-	-	-	15 222	19 103	23 588	28 737	34 607	-
60	-	-	-	-	17 202	21 381	26 192	31 692	-
65	-	-	-	-	15 159	19 009	23 459	28 565	-

**Power input in W**

30	5 106	5 135	5 158	5 171	5 172	5 157	5 125	5 071	-
35	5 688	5 716	5 736	5 746	5 744	5 725	5 688	5 629	-
40	6 369	6 395	6 412	6 420	6 413	6 390	6 348	6 283	-
45	-	7 186	7 201	7 204	7 193	7 165	7 118	7 047	-
50	-	-	8 114	8 114	8 098	8 065	8 012	7 934	-
55	-	-	-	9 162	9 142	9 103	9 043	8 959	-
60	-	-	-	-	10 337	10 292	10 226	10 135	-
65	-	-	-	-	11 699	11 648	11 574	11 475	-

**Current consumption in A**

30	10.59	10.63	10.67	10.69	10.69	10.68	10.63	10.56	-
35	11.32	11.36	11.39	11.41	11.41	11.38	11.33	11.25	-
40	12.20	12.24	12.27	12.28	12.27	12.24	12.18	12.09	-
45	-	13.30	13.33	13.33	13.32	13.28	13.22	13.12	-
50	-	-	14.59	14.59	14.57	14.53	14.45	14.34	-
55	-	-	-	16.08	16.06	16.00	15.92	15.80	-
60	-	-	-	-	17.80	17.73	17.64	17.50	-
65	-	-	-	-	19.82	19.74	19.64	19.49	-

**Mass flow in kg/h**

30	224	282	350	428	517	618	732	860	-
35	219	278	347	425	515	617	732	860	-
40	213	273	342	422	512	614	730	859	-
45	-	267	337	416	507	610	725	855	-
50	-	-	329	409	500	603	718	847	-
55	-	-	-	398	489	592	708	837	-
60	-	-	-	-	475	578	693	822	-
65	-	-	-	-	457	559	674	803	-

**Coefficient of performance (C.O.P.)**

30	2.10	2.68	3.37	4.19	5.15	6.27	7.58	9.12	-
35	1.76	2.27	2.87	3.58	4.42	5.39	6.53	7.87	-
40	1.45	1.89	2.41	3.02	3.74	4.58	5.56	6.71	-
45	-	1.55	1.99	2.52	3.13	3.84	4.68	5.65	-
50	-	-	1.62	2.06	2.58	3.18	3.88	4.70	-
55	-	-	-	1.66	2.09	2.59	3.18	3.86	-
60	-	-	-	-	1.66	2.08	2.56	3.13	-
65	-	-	-	-	1.30	1.63	2.03	2.49	-

**Nominal performance at to = 5 °C, tc = 50 °C**

Cooling capacity	25 635	W
Power input	8 065	W
Current consumption	14.53	A
Mass flow	603	kg/h
C.O.P.	3.18	

**Pressure switch settings**

Maximum HP switch setting	29.5	bar(g)
Minimum LP switch setting	0.2	bar(g)
LP pump down setting	1	bar(g)

**Sound power data**

Sound power level	78	dB(A)
With acoustic hood	70	dB(A)

to: Evaporating temperature at dew point

tc: Condensing temperature at dew point

Rating conditions : Superheat = 10 K , Subcooling = 0 K

All performance data +/- 5%

Danfoss can accept no responsibility for possible errors in catalogues, brochures and other printed material. Danfoss reserves the right to alter its products without notice. This also applies to products already on order provided that such alternations can be made without subsequential changes being necessary in specifications already agreed. All trademarks in this material are property of the respective companies. Danfoss, the Danfoss logotype and Performer are trademarks of Danfoss A/S. All rights reserved.

Performance data at 50 Hz, ARI rating conditions

R407C

Cond. temp. in °C (tc)	Evaporating temperature in °C (to)							
	-20	-15	-10	-5	0	5	10	15

Cooling capacity in W

30	11 514	14 763	18 623	23 156	28 424	34 489	41 412	49 255	-
35	10 784	13 953	17 705	22 101	27 203	33 073	39 772	47 361	-
40	10 010	13 080	16 704	20 944	25 860	31 515	37 970	45 287	-
45	-	12 137	15 614	19 677	24 387	29 808	35 999	43 024	-
50	-	-	14 427	18 294	22 780	27 946	33 855	40 567	-
55	-	-	-	16 790	21 031	25 923	31 529	37 910	-
60	-	-	-	-	19 133	23 733	29 016	35 046	-
65	-	-	-	-	17 082	21 368	26 310	31 969	-

Power input in W

30	5 106	5 135	5 158	5 171	5 172	5 157	5 125	5 071	-
35	5 688	5 716	5 736	5 746	5 744	5 725	5 688	5 629	-
40	6 369	6 395	6 412	6 420	6 413	6 390	6 348	6 283	-
45	-	7 186	7 201	7 204	7 193	7 165	7 118	7 047	-
50	-	-	8 114	8 114	8 098	8 065	8 012	7 934	-
55	-	-	-	9 162	9 142	9 103	9 043	8 959	-
60	-	-	-	-	10 337	10 292	10 226	10 135	-
65	-	-	-	-	11 699	11 648	11 574	11 475	-

Current consumption in A

30	10.59	10.63	10.67	10.69	10.69	10.68	10.63	10.56	-
35	11.32	11.36	11.39	11.41	11.41	11.38	11.33	11.25	-
40	12.20	12.24	12.27	12.28	12.27	12.24	12.18	12.09	-
45	-	13.30	13.33	13.33	13.32	13.28	13.22	13.12	-
50	-	-	14.59	14.59	14.57	14.53	14.45	14.34	-
55	-	-	-	16.08	16.06	16.00	15.92	15.80	-
60	-	-	-	-	17.80	17.73	17.64	17.50	-
65	-	-	-	-	19.82	19.74	19.64	19.49	-

Mass flow in kg/h

30	223	281	348	425	514	614	728	855	-
35	218	277	345	423	512	613	727	855	-
40	212	272	340	419	509	611	725	853	-
45	-	265	335	414	504	606	721	849	-
50	-	-	327	406	497	599	714	842	-
55	-	-	-	396	486	589	703	832	-
60	-	-	-	-	472	575	689	817	-
65	-	-	-	-	454	556	670	798	-

Coefficient of performance (C.O.P.)

30	2.26	2.87	3.61	4.48	5.50	6.69	8.08	9.71	-
35	1.90	2.44	3.09	3.85	4.74	5.78	6.99	8.41	-
40	1.57	2.05	2.60	3.26	4.03	4.93	5.98	7.21	-
45	-	1.69	2.17	2.73	3.39	4.16	5.06	6.11	-
50	-	-	1.78	2.25	2.81	3.47	4.23	5.11	-
55	-	-	-	1.83	2.30	2.85	3.49	4.23	-
60	-	-	-	-	1.85	2.31	2.84	3.46	-
65	-	-	-	-	1.46	1.83	2.27	2.79	-

Nominal performance at to = 7.2 °C, tc = 54.4 °C

Cooling capacity	28 566	W
Power input	8 947	W
Current consumption	15.78	A
Mass flow	639	kg/h
C.O.P.	3.19	

Pressure switch settings

Maximum HP switch setting	29.5	bar(g)
Minimum LP switch setting	0.2	bar(g)
LP pump down setting	1	bar(g)

Sound power data

Sound power level	78	dB(A)
With acoustic hood	70	dB(A)

to: Evaporating temperature at dew point

tc: Condensing temperature at dew point

Rating conditions : Superheat = 11.1 K , Subcooling = 8.3 K

All performance data +/- 5%

Danfoss can accept no responsibility for possible errors in catalogues, brochures and other printed material. Danfoss reserves the right to alter its products without notice. This also applies to products already on order provided that such alternations can be made without subsequential changes being necessary in specifications already agreed. All trademarks in this material are property of the respective companies. Danfoss, the Danfoss logotype and Performer are trademarks of Danfoss A/S. All rights reserved.

**Performance data at 50 Hz, EN 12900 rating conditions**
**R134a**

Cond. temp. in °C (tc)	Evaporating temperature in °C (to)							
	-15	-10	-5	0	5	10	15	

**Cooling capacity in W**

35	8 881	11 397	14 330	17 720	21 604	26 024	31 018	-	-
40	8 293	10 725	13 556	16 825	20 570	24 832	29 649	-	-
45	7 682	10 019	12 737	15 873	19 468	23 560	28 189	-	-
50	7 051	9 281	11 874	14 867	18 300	22 211	26 639	-	-
55	-	8 513	10 969	13 808	17 066	20 784	25 001	-	-
60	-	-	10 025	12 696	15 769	19 282	23 274	-	-
65	-	-	-	11 534	14 409	17 705	21 460	-	-
70	-	-	-	10 322	12 987	16 052	19 558	-	-

**Power input in W**

35	4 051	4 063	4 065	4 055	4 030	3 989	3 928	-	-
40	4 506	4 521	4 526	4 521	4 501	4 465	4 411	-	-
45	5 018	5 036	5 046	5 045	5 030	5 001	4 953	-	-
50	5 591	5 613	5 627	5 631	5 623	5 600	5 559	-	-
55	-	6 256	6 275	6 285	6 283	6 267	6 234	-	-
60	-	-	6 994	7 010	7 014	7 005	6 981	-	-
65	-	-	-	7 810	7 822	7 821	7 804	-	-
70	-	-	-	8 690	8 709	8 716	8 709	-	-

**Current consumption in A**

35	9.24	9.27	9.29	9.28	9.25	9.18	9.08	-	-
40	9.71	9.74	9.76	9.76	9.73	9.67	9.58	-	-
45	10.27	10.31	10.33	10.34	10.32	10.26	10.17	-	-
50	10.93	10.98	11.01	11.02	11.00	10.96	10.88	-	-
55	-	11.77	11.80	11.82	11.81	11.77	11.70	-	-
60	-	-	12.72	12.74	12.74	12.72	12.65	-	-
65	-	-	-	13.81	13.82	13.80	13.75	-	-
70	-	-	-	15.02	15.04	15.03	14.99	-	-

**Mass flow in kg/h**

35	215	270	333	403	482	570	668	-	-
40	211	267	330	401	481	569	667	-	-
45	206	263	327	398	478	567	666	-	-
50	201	258	323	395	475	564	662	-	-
55	-	252	317	389	470	559	658	-	-
60	-	-	310	383	463	553	651	-	-
65	-	-	-	375	455	544	643	-	-
70	-	-	-	365	446	534	632	-	-

**Coefficient of performance (C.O.P.)**

35	2.19	2.81	3.53	4.37	5.36	6.52	7.90	-	-
40	1.84	2.37	2.99	3.72	4.57	5.56	6.72	-	-
45	1.53	1.99	2.52	3.15	3.87	4.71	5.69	-	-
50	1.26	1.65	2.11	2.64	3.25	3.97	4.79	-	-
55	-	1.36	1.75	2.20	2.72	3.32	4.01	-	-
60	-	-	1.43	1.81	2.25	2.75	3.33	-	-
65	-	-	-	1.48	1.84	2.26	2.75	-	-
70	-	-	-	1.19	1.49	1.84	2.25	-	-

**Nominal performance at to = 5 °C, tc = 50 °C**

Cooling capacity	18 300	W
Power input	5 623	W
Current consumption	11.00	A
Mass flow	475	kg/h
C.O.P.	3.25	

**Pressure switch settings**

Maximum HP switch setting	20.5	bar(g)
Minimum LP switch setting	0.2	bar(g)
LP pump down setting	0.5	bar(g)

**Sound power data**

Sound power level	0	dB(A)
With acoustic hood	0	dB(A)

to: Evaporating temperature at dew point

tc: Condensing temperature at dew point

Rating conditions : Superheat = 10 K , Subcooling = 0 K

All performance data +/- 5%

Danfoss can accept no responsibility for possible errors in catalogues, brochures and other printed material. Danfoss reserves the right to alter its products without notice. This also applies to products already on order provided that such alternations can be made without subsequential changes being necessary in specifications already agreed. All trademarks in this material are property of the respective companies. Danfoss, the Danfoss logotype and Performer are trademarks of Danfoss A/S. All rights reserved.

Performance data at 50 Hz, ARI rating conditions

R134a

Cond. temp. in °C (tc)	Evaporating temperature in °C (to)							
	-15	-10	-5	0	5	10	15	

Cooling capacity in W

35	9 620	12 324	15 471	19 100	23 253	27 969	33 290	-	-
40	9 032	11 658	14 709	18 224	22 245	26 811	31 963	-	-
45	8 419	10 956	13 900	17 290	21 166	25 570	30 542	-	-
50	7 783	10 220	13 045	16 297	20 019	24 249	29 029	-	-
55	-	9 450	12 145	15 249	18 803	22 849	27 425	-	-
60	-	-	11 202	14 146	17 522	21 371	25 732	-	-
65	-	-	-	12 989	16 176	19 816	23 952	-	-
70	-	-	-	11 781	14 766	18 187	22 085	-	-

Power input in W

35	4 051	4 063	4 065	4 055	4 030	3 989	3 928	-	-
40	4 506	4 521	4 526	4 521	4 501	4 465	4 411	-	-
45	5 018	5 036	5 046	5 045	5 030	5 001	4 953	-	-
50	5 591	5 613	5 627	5 631	5 623	5 600	5 559	-	-
55	-	6 256	6 275	6 285	6 283	6 267	6 234	-	-
60	-	-	6 994	7 010	7 014	7 005	6 981	-	-
65	-	-	-	7 810	7 822	7 821	7 804	-	-
70	-	-	-	8 690	8 709	8 716	8 709	-	-

Current consumption in A

35	9.24	9.27	9.29	9.28	9.25	9.18	9.08	-	-
40	9.71	9.74	9.76	9.76	9.73	9.67	9.58	-	-
45	10.27	10.31	10.33	10.34	10.32	10.26	10.17	-	-
50	10.93	10.98	11.01	11.02	11.00	10.96	10.88	-	-
55	-	11.77	11.80	11.82	11.81	11.77	11.70	-	-
60	-	-	12.72	12.74	12.74	12.72	12.65	-	-
65	-	-	-	13.81	13.82	13.80	13.75	-	-
70	-	-	-	15.02	15.04	15.03	14.99	-	-

Mass flow in kg/h

35	214	269	331	401	479	567	664	-	-
40	210	266	328	399	478	566	664	-	-
45	205	262	325	396	476	564	662	-	-
50	200	257	321	393	472	561	659	-	-
55	-	251	316	387	467	556	654	-	-
60	-	-	309	381	461	550	648	-	-
65	-	-	-	373	453	542	639	-	-
70	-	-	-	363	443	532	629	-	-

Coefficient of performance (C.O.P.)

35	2.37	3.03	3.81	4.71	5.77	7.01	8.48	-	-
40	2.00	2.58	3.25	4.03	4.94	6.00	7.25	-	-
45	1.68	2.18	2.75	3.43	4.21	5.11	6.17	-	-
50	1.39	1.82	2.32	2.89	3.56	4.33	5.22	-	-
55	-	1.51	1.94	2.43	2.99	3.65	4.40	-	-
60	-	-	1.60	2.02	2.50	3.05	3.69	-	-
65	-	-	-	1.66	2.07	2.53	3.07	-	-
70	-	-	-	1.36	1.70	2.09	2.54	-	-

Nominal performance at to = 7.2 °C, tc = 54.4 °C

Cooling capacity	20 679	W
Power input	6 194	W
Current consumption	11.69	A
Mass flow	506	kg/h
C.O.P.	3.34	

Pressure switch settings

Maximum HP switch setting	20.5	bar(g)
Minimum LP switch setting	0.2	bar(g)
LP pump down setting	0.5	bar(g)

Sound power data

Sound power level	0	dB(A)
With acoustic hood	0	dB(A)

to: Evaporating temperature at dew point

tc: Condensing temperature at dew point

Rating conditions : Superheat = 11.1 K, Subcooling = 8.3 K

All performance data +/- 5%

Danfoss can accept no responsibility for possible errors in catalogues, brochures and other printed material. Danfoss reserves the right to alter its products without notice. This also applies to products already on order provided that such alternations can be made without subsequential changes being necessary in specifications already agreed. All trademarks in this material are property of the respective companies. Danfoss, the Danfoss logotype and Performer are trademarks of Danfoss A/S. All rights reserved.

Performance data at 60 Hz, EN 12900 rating conditions

R407C

Cond. temp. in °C (tc)	Evaporating temperature in °C (to)							
	-20	-15	-10	-5	0	5	10	15

Cooling capacity in W

30	13 334	16 999	21 377	26 544	32 574	39 542	47 522	56 589	-
35	12 488	16 038	20 264	25 240	31 039	37 737	45 408	54 126	-
40	11 608	15 019	19 067	23 825	29 368	35 770	43 105	51 447	-
45	-	13 939	17 783	22 298	27 559	33 640	40 613	48 552	-
50	-	-	16 412	20 659	25 612	31 344	37 929	45 440	-
55	-	-	-	18 907	23 526	28 883	35 053	42 107	-
60	-	-	-	-	21 298	26 255	31 982	38 551	-
65	-	-	-	-	18 927	23 455	28 711	34 767	-

Power input in W

30	6 221	6 308	6 377	6 420	6 431	6 403	6 330	6 204	-
35	6 888	6 977	7 049	7 096	7 111	7 088	7 021	6 901	-
40	7 660	7 752	7 827	7 878	7 898	7 881	7 820	7 708	-
45	-	8 647	8 725	8 781	8 807	8 796	8 742	8 637	-
50	-	-	9 759	9 820	9 851	9 847	9 800	9 704	-
55	-	-	-	11 008	11 046	11 049	11 010	10 922	-
60	-	-	-	-	12 405	12 415	12 385	12 307	-
65	-	-	-	-	13 943	13 962	13 940	13 872	-

Current consumption in A

30	10.12	10.23	10.31	10.36	10.36	10.31	10.20	10.03	-
35	10.89	11.00	11.08	11.14	11.15	11.11	11.01	10.85	-
40	11.80	11.91	12.00	12.06	12.08	12.05	11.97	11.81	-
45	-	12.99	13.09	13.16	13.19	13.17	13.10	12.96	-
50	-	-	14.37	14.44	14.48	14.48	14.42	14.29	-
55	-	-	-	15.94	15.99	16.00	15.95	15.84	-
60	-	-	-	-	17.74	17.76	17.73	17.63	-
65	-	-	-	-	19.74	19.78	19.76	19.69	-

Mass flow in kg/h

30	278	348	430	524	632	755	895	1 052	-
35	273	344	427	522	630	754	894	1 052	-
40	267	339	422	518	627	751	891	1 048	-
45	-	333	417	512	621	745	885	1 042	-
50	-	-	409	504	613	737	876	1 032	-
55	-	-	-	494	602	725	863	1 018	-
60	-	-	-	-	588	709	846	1 000	-
65	-	-	-	-	570	690	825	977	-

Coefficient of performance (C.O.P.)

30	2.14	2.69	3.35	4.13	5.06	6.18	7.51	9.12	-
35	1.81	2.30	2.87	3.56	4.36	5.32	6.47	7.84	-
40	1.52	1.94	2.44	3.02	3.72	4.54	5.51	6.67	-
45	-	1.61	2.04	2.54	3.13	3.82	4.65	5.62	-
50	-	-	1.68	2.10	2.60	3.18	3.87	4.68	-
55	-	-	-	1.72	2.13	2.61	3.18	3.86	-
60	-	-	-	-	1.72	2.11	2.58	3.13	-
65	-	-	-	-	1.36	1.68	2.06	2.51	-

Nominal performance at to = 5 °C, tc = 50 °C

Cooling capacity	31 344	W
Power input	9 847	W
Current consumption	14.48	A
Mass flow	737	kg/h
C.O.P.	3.18	

Pressure switch settings

Maximum HP switch setting	29.5	bar(g)
Minimum LP switch setting	0.2	bar(g)
LP pump down setting	1	bar(g)

Sound power data

Sound power level	81	dB(A)
With acoustic hood	73	dB(A)

to: Evaporating temperature at dew point

tc: Condensing temperature at dew point

Rating conditions : Superheat = 10 K, Subcooling = 0 K

All performance data +/- 5%

Danfoss can accept no responsibility for possible errors in catalogues, brochures and other printed material. Danfoss reserves the right to alter its products without notice. This also applies to products already on order provided that such alternations can be made without subsequential changes being necessary in specifications already agreed. All trademarks in this material are property of the respective companies. Danfoss, the Danfoss logotype and Performer are trademarks of Danfoss A/S. All rights reserved.

**Performance data at 60 Hz, ARI rating conditions**
**R407C**

Cond. temp. in °C (tc)	Evaporating temperature in °C (to)							
	-20	-15	-10	-5	0	5	10	15

**Cooling capacity in W**

30	14 301	18 210	22 875	28 374	34 784	42 183	50 648	60 256	-
35	13 459	17 263	21 785	27 102	33 291	40 431	48 598	57 871	-
40	12 581	16 254	20 606	25 715	31 658	38 512	46 356	55 267	-
45	-	15 182	19 338	24 212	29 883	36 426	43 920	52 442	-
50	-	-	17 978	22 592	27 964	34 170	41 288	49 396	-
55	-	-	-	20 853	25 900	31 742	38 459	46 127	-
60	-	-	-	-	23 689	29 142	35 430	42 632	-
65	-	-	-	-	21 329	26 367	32 201	38 910	-

**Power input in W**

30	6 221	6 308	6 377	6 420	6 431	6 403	6 330	6 204	-
35	6 888	6 977	7 049	7 096	7 111	7 088	7 021	6 901	-
40	7 660	7 752	7 827	7 878	7 898	7 881	7 820	7 708	-
45	-	8 647	8 725	8 781	8 807	8 796	8 742	8 637	-
50	-	-	9 759	9 820	9 851	9 847	9 800	9 704	-
55	-	-	-	11 008	11 046	11 049	11 010	10 922	-
60	-	-	-	-	12 405	12 415	12 385	12 307	-
65	-	-	-	-	13 943	13 962	13 940	13 872	-

**Current consumption in A**

30	10.12	10.23	10.31	10.36	10.36	10.31	10.20	10.03	-
35	10.89	11.00	11.08	11.14	11.15	11.11	11.01	10.85	-
40	11.80	11.91	12.00	12.06	12.08	12.05	11.97	11.81	-
45	-	12.99	13.09	13.16	13.19	13.17	13.10	12.96	-
50	-	-	14.37	14.44	14.48	14.48	14.42	14.29	-
55	-	-	-	15.94	15.99	16.00	15.95	15.84	-
60	-	-	-	-	17.74	17.76	17.73	17.63	-
65	-	-	-	-	19.74	19.78	19.76	19.69	-

**Mass flow in kg/h**

30	277	346	427	521	628	751	889	1 045	-
35	272	342	424	519	627	750	889	1 045	-
40	266	337	420	515	623	747	886	1 042	-
45	-	332	414	509	618	741	880	1 036	-
50	-	-	407	502	610	732	871	1 026	-
55	-	-	-	492	599	721	858	1 012	-
60	-	-	-	-	585	705	841	993	-
65	-	-	-	-	567	686	820	971	-

**Coefficient of performance (C.O.P.)**

30	2.30	2.89	3.59	4.42	5.41	6.59	8.00	9.71	-
35	1.95	2.47	3.09	3.82	4.68	5.70	6.92	8.39	-
40	1.64	2.10	2.63	3.26	4.01	4.89	5.93	7.17	-
45	-	1.76	2.22	2.76	3.39	4.14	5.02	6.07	-
50	-	-	1.84	2.30	2.84	3.47	4.21	5.09	-
55	-	-	-	1.89	2.34	2.87	3.49	4.22	-
60	-	-	-	-	1.91	2.35	2.86	3.46	-
65	-	-	-	-	1.53	1.89	2.31	2.80	-

**Nominal performance at to = 7.2 °C, tc = 54.4 °C**

Cooling capacity	34 907	W
Power input	10 884	W
Current consumption	15.79	A
Mass flow	781	kg/h
C.O.P.	3.21	

**Pressure switch settings**

Maximum HP switch setting	29.5	bar(g)
Minimum LP switch setting	0.2	bar(g)
LP pump down setting	1	bar(g)

**Sound power data**

Sound power level	81	dB(A)
With acoustic hood	73	dB(A)

to: Evaporating temperature at dew point

tc: Condensing temperature at dew point

Rating conditions : Superheat = 11.1 K , Subcooling = 8.3 K

All performance data +/- 5%

Danfoss can accept no responsibility for possible errors in catalogues, brochures and other printed material. Danfoss reserves the right to alter its products without notice. This also applies to products already on order provided that such alternations can be made without subsequential changes being necessary in specifications already agreed. All trademarks in this material are property of the respective companies. Danfoss, the Danfoss logotype and Performer are trademarks of Danfoss A/S. All rights reserved.

Performance data at 60 Hz, EN 12900 rating conditions

R134a

Cond. temp. in °C (tc)	Evaporating temperature in °C (to)							
	-15	-10	-5	0	5	10	15	

Cooling capacity in W

35	10 659	13 532	16 937	20 930	25 569	30 911	37 015	-	-
40	9 995	12 767	16 048	19 894	24 364	29 514	35 402	-	-
45	9 310	11 968	15 111	18 797	23 083	28 027	33 685	-	-
50	8 608	11 137	14 129	17 641	21 730	26 453	31 867	-	-
55	-	10 277	13 105	16 429	20 306	24 794	29 949	-	-
60	-	-	12 040	15 162	18 814	23 052	27 934	-	-
65	-	-	-	13 844	17 256	21 229	25 822	-	-
70	-	-	-	12 476	15 632	19 326	23 613	-	-

Power input in W

35	4 808	4 878	4 934	4 974	4 991	4 981	4 940	-	-
40	5 302	5 374	5 433	5 476	5 497	5 492	5 456	-	-
45	5 860	5 935	5 997	6 044	6 069	6 069	6 038	-	-
50	6 488	6 566	6 632	6 682	6 712	6 717	6 693	-	-
55	-	7 273	7 343	7 398	7 432	7 443	7 424	-	-
60	-	-	8 136	8 195	8 235	8 251	8 239	-	-
65	-	-	-	9 080	9 126	9 149	9 143	-	-
70	-	-	-	10 059	10 111	10 140	10 141	-	-

Current consumption in A

35	8.89	8.96	9.02	9.06	9.06	9.03	8.96	-	-
40	9.43	9.51	9.57	9.61	9.63	9.60	9.54	-	-
45	10.07	10.15	10.22	10.27	10.29	10.27	10.22	-	-
50	10.80	10.90	10.97	11.03	11.05	11.05	11.01	-	-
55	-	11.75	11.84	11.90	11.94	11.94	11.91	-	-
60	-	-	12.82	12.90	12.94	12.96	12.94	-	-
65	-	-	-	14.03	14.09	14.12	14.11	-	-
70	-	-	-	15.30	15.37	15.42	15.42	-	-

Mass flow in kg/h

35	258	321	393	476	570	677	797	-	-
40	254	318	391	474	569	676	797	-	-
45	250	314	388	472	567	675	795	-	-
50	245	310	384	468	564	671	792	-	-
55	-	305	379	463	559	667	788	-	-
60	-	-	373	457	553	661	781	-	-
65	-	-	-	450	545	653	773	-	-
70	-	-	-	441	536	643	763	-	-

Coefficient of performance (C.O.P.)

35	2.22	2.77	3.43	4.21	5.12	6.21	7.49	-	-
40	1.89	2.38	2.95	3.63	4.43	5.37	6.49	-	-
45	1.59	2.02	2.52	3.11	3.80	4.62	5.58	-	-
50	1.33	1.70	2.13	2.64	3.24	3.94	4.76	-	-
55	-	1.41	1.78	2.22	2.73	3.33	4.03	-	-
60	-	-	1.48	1.85	2.28	2.79	3.39	-	-
65	-	-	-	1.52	1.89	2.32	2.82	-	-
70	-	-	-	1.24	1.55	1.91	2.33	-	-

Nominal performance at to = 5 °C, tc = 50 °C

Cooling capacity	21 730	W
Power input	6 712	W
Current consumption	11.05	A
Mass flow	564	kg/h
C.O.P.	3.24	

Pressure switch settings

Maximum HP switch setting	20.5	bar(g)
Minimum LP switch setting	0.2	bar(g)
LP pump down setting	0.5	bar(g)

Sound power data

Sound power level	0	dB(A)
With acoustic hood	0	dB(A)

to: Evaporating temperature at dew point

tc: Condensing temperature at dew point

Rating conditions : Superheat = 10 K, Subcooling = 0 K

All performance data +/- 5%

Danfoss can accept no responsibility for possible errors in catalogues, brochures and other printed material. Danfoss reserves the right to alter its products without notice. This also applies to products already on order provided that such alternations can be made without subsequential changes being necessary in specifications already agreed. All trademarks in this material are property of the respective companies. Danfoss, the Danfoss logotype and Performer are trademarks of Danfoss A/S. All rights reserved.

Performance data at 60 Hz, ARI rating conditions

R134a

Cond. temp. in °C (tc)	Evaporating temperature in °C (to)							
	-15	-10	-5	0	5	10	15	

Cooling capacity in W

35	11 545	14 633	18 285	22 560	27 519	33 222	39 727	-	-
40	10 885	13 878	17 413	21 549	26 347	31 866	38 165	-	-
45	10 203	13 087	16 491	20 474	25 096	30 417	36 497	-	-
50	9 501	12 263	15 522	19 338	23 771	28 880	34 725	-	-
55	-	11 409	14 509	18 144	22 373	27 256	32 854	-	-
60	-	-	13 454	16 894	20 905	25 549	30 884	-	-
65	-	-	-	15 591	19 371	23 761	28 820	-	-
70	-	-	-	14 239	17 774	21 896	26 665	-	-

Power input in W

35	4 808	4 878	4 934	4 974	4 991	4 981	4 940	-	-
40	5 302	5 374	5 433	5 476	5 497	5 492	5 456	-	-
45	5 860	5 935	5 997	6 044	6 069	6 069	6 038	-	-
50	6 488	6 566	6 632	6 682	6 712	6 717	6 693	-	-
55	-	7 273	7 343	7 398	7 432	7 443	7 424	-	-
60	-	-	8 136	8 195	8 235	8 251	8 239	-	-
65	-	-	-	9 080	9 126	9 149	9 143	-	-
70	-	-	-	10 059	10 111	10 140	10 141	-	-

Current consumption in A

35	8.89	8.96	9.02	9.06	9.06	9.03	8.96	-	-
40	9.43	9.51	9.57	9.61	9.63	9.60	9.54	-	-
45	10.07	10.15	10.22	10.27	10.29	10.27	10.22	-	-
50	10.80	10.90	10.97	11.03	11.05	11.05	11.01	-	-
55	-	11.75	11.84	11.90	11.94	11.94	11.91	-	-
60	-	-	12.82	12.90	12.94	12.96	12.94	-	-
65	-	-	-	14.03	14.09	14.12	14.11	-	-
70	-	-	-	15.30	15.37	15.42	15.42	-	-

Mass flow in kg/h

35	257	319	391	473	567	673	792	-	-
40	253	316	389	472	566	673	792	-	-
45	249	313	386	469	564	671	791	-	-
50	244	308	382	466	561	668	788	-	-
55	-	303	377	461	556	663	783	-	-
60	-	-	371	455	550	657	777	-	-
65	-	-	-	448	542	649	769	-	-
70	-	-	-	439	533	640	759	-	-

Coefficient of performance (C.O.P.)

35	2.40	3.00	3.71	4.54	5.51	6.67	8.04	-	-
40	2.05	2.58	3.20	3.94	4.79	5.80	6.99	-	-
45	1.74	2.21	2.75	3.39	4.14	5.01	6.04	-	-
50	1.46	1.87	2.34	2.89	3.54	4.30	5.19	-	-
55	-	1.57	1.98	2.45	3.01	3.66	4.43	-	-
60	-	-	1.65	2.06	2.54	3.10	3.75	-	-
65	-	-	-	1.72	2.12	2.60	3.15	-	-
70	-	-	-	1.42	1.76	2.16	2.63	-	-

Nominal performance at to = 7.2 °C, tc = 54.4 °C

Cooling capacity	24 621	W
Power input	7 349	W
Current consumption	11.83	A
Mass flow	602	kg/h
C.O.P.	3.35	

Pressure switch settings

Maximum HP switch setting	20.5	bar(g)
Minimum LP switch setting	0.2	bar(g)
LP pump down setting	0.5	bar(g)

Sound power data

Sound power level	0	dB(A)
With acoustic hood	0	dB(A)

to: Evaporating temperature at dew point

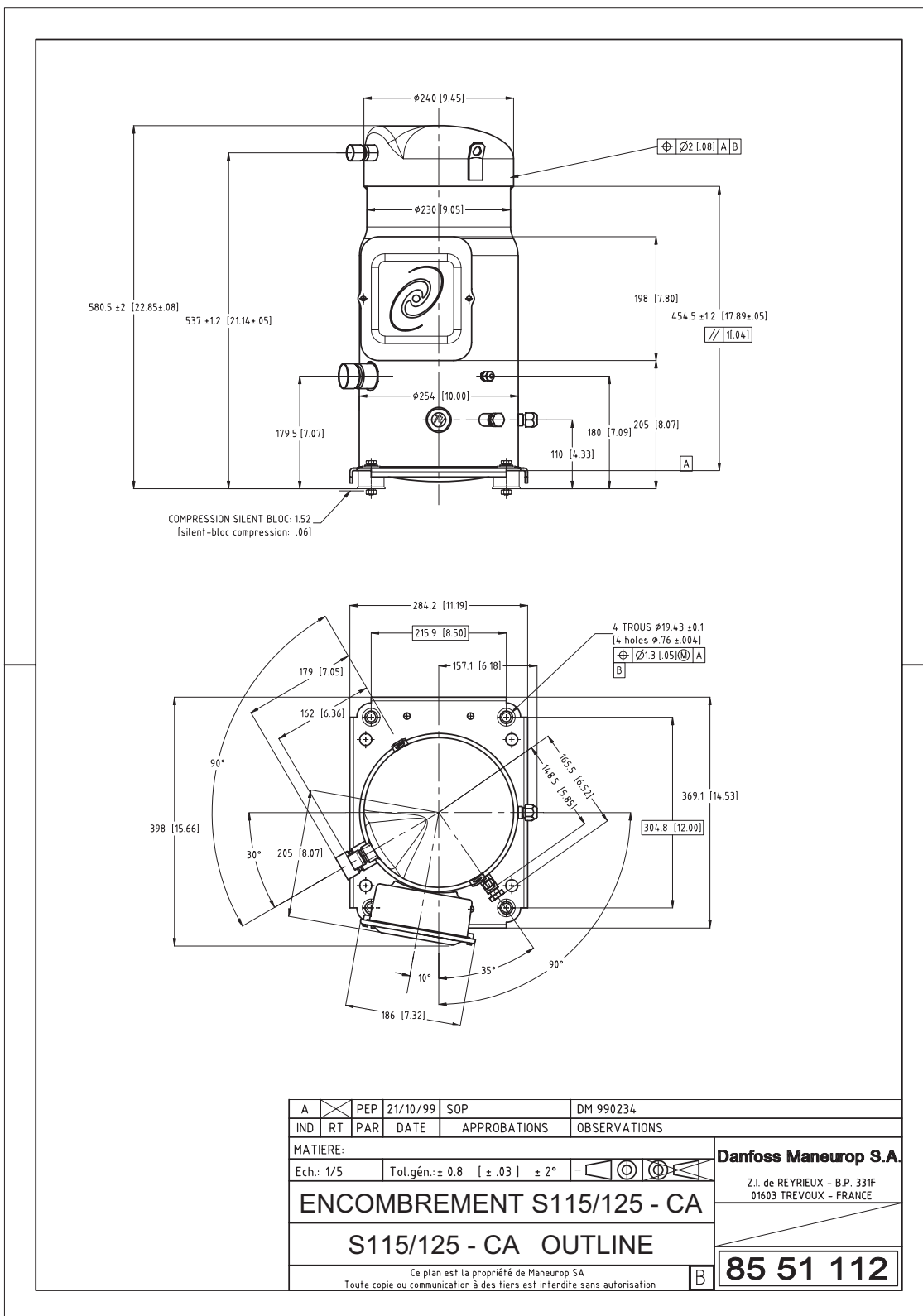
tc: Condensing temperature at dew point

Rating conditions : Superheat = 11.1 K , Subcooling = 8.3 K

All performance data +/- 5%

Danfoss can accept no responsibility for possible errors in catalogues, brochures and other printed material. Danfoss reserves the right to alter its products without notice. This also applies to products already on order provided that such alternations can be made without subsequential changes being necessary in specifications already agreed. All trademarks in this material are property of the respective companies. Danfoss, the Danfoss logotype and Performer are trademarks of Danfoss A/S. All rights reserved.



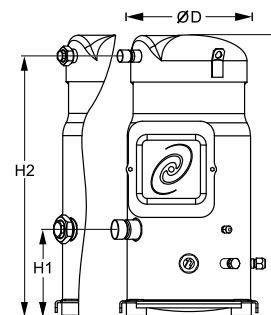


Danfoss can accept no responsibility for possible errors in catalogues, brochures and other printed material. Danfoss reserves the right to alter its products without notice. This also applies to products already on order provided that such alternations can be made without subsequential changes being necessary in specifications already agreed. All trademarks in this material are property of the respective companies. Danfoss, the Danfoss logotype and Performer are trademarks of Danfoss A/S. All rights reserved.

**General Characteristics**

Model number (on compressor nameplate)	SZ125S6RC	SZ125S6CC
Code number for Singlepack*	SZ125-6RI	SZ125-6CAI
Code number for Industrial pack**	SZ125-6RM	SZ125-6CAM
Drawing number	8551121a	8551121a
Suction and discharge connections	Rotolock	Brazed
Suction connection	1-3/4" Rotolock	1-3/8" ODF
Discharge connection	1-1/4" Rotolock	7/8" ODF
Suction connection with supplied sleeve	1-1/4" ODF	
Discharge connection with supplied sleeve	3/4" ODF	
Oil sight glass	Threaded	Threaded
Oil equalisation connection	3/8" flare SAE	3/8" flare SAE
Oil drain connection	1/4" NPT	1/4" NPT
LP gauge port	Schrader	Schrader
IPR valve	None	None
Swept volume	166.6 cm3/rev	
Displacement @ Nominal speed	29.0 m3/h @ 2900 rpm	
Net weight	78 kg	
Oil charge	3.8 litre, POE - 160SZ	
Maximum system test pressure Low Side / High side	25 bar(g) / 32 bar(g)	
Maximum differential test pressure	24 bar	
Maximum number of starts per hour	12	
Refrigerant charge limit	11 kg	
Approved refrigerants	R407C - R134a - (R404A - R507A)	

**Dimensions**

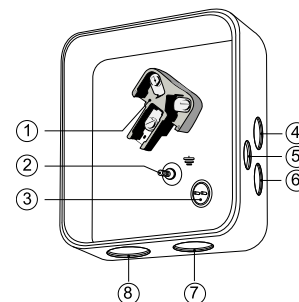


D=254 mm  
H=585.5 mm  
H1=179.5 mm  
H2=537.5 mm

**Electrical Characteristics**

Nominal voltage	230V/3/50Hz
Voltage range	207-253 V
Winding resistance (between phases) +/- 7% at 25°C	0.39 Ω
Maximum Must Trip current (MMT)	45 A
Locked Rotor Amps (LRA)	205 A
Motor protection	Internal thermostat, ext. overload protector needed

**Terminal box**



IP54 (with cable gland)

- 1: Power connection, 3 x 4.8 mm (3/16")
- 2: Earth M5, torque 2 Nm (17 in.lb)
- 3: Thermostat connector
- 4: Knock-out Ø 22 mm (7/8") for 1/2" conduit
- 5: Knock-out Ø 16.5 mm (0.65")
- 6: Knock-out Ø 20.5 mm (0.81")
- 7: Double knock-out Ø 32.1 mm (1.26") & Ø 25.4 mm (1")
- 8: Double knock-out Ø 44 mm (1-3/4") for 1-1/4" conduit & Ø 34 mm (1-3/8") for 1" conduit

**Recommended Installation torques**

Suction Rotolock nut or valve	110 Nm
Discharge Rotolock nut or valve	90 Nm
Oil sight glass	50 Nm
Power connections / Earth connection	3 Nm / 2 Nm
Terminal box cover screws	2.3 Nm
Mounting bolts	21 Nm

**Parts shipped with compressor**

Mounting kit with grommets, bolts, nuts, sleeves and washers
Initial oil charge
Installation instructions

**Approvals** : CE certified, -, -

\*Singlepack: Compressor in cardboard box

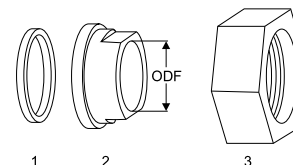
\*\*Industrial pack: 6 Unboxed compressors on pallet (order per multiples of 6)

**Rotolock accessories, suction side**

**Code no.**

Solder sleeve, P02 (1-3/4" Rotolock, 1-1/8" ODF)	8153004
Solder sleeve, P10 (1-3/4" Rotolock, 1-3/8" ODF)	8153003
Angle adapter, C02 (1-3/4" Rotolock, 1-1/8" ODF)	8168005
Rotolock valve, V02 (1-3/4" Rotolock, 1-1/8" ODF)	8168028
Rotolock valve, V10 (1-3/4" Rotolock, 1-3/8" ODF)	8168022
Gasket, 1-3/4"	8156132

**Gaskets, sleeves and nuts**



- 1: Gasket
- 2: Solder sleeve
- 3: Rotolock nut

**Rotolock accessories, discharge side**

**Code no.**

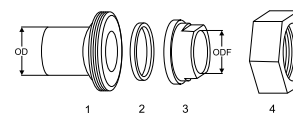
Solder sleeve, P04 (1-1/4" Rotolock, 3/4" ODF)	8153008
Solder sleeve with rotolock, P05 (1-1/4" Rotolock, 7/8" ODS)	8153012
Angle adapter, C04 (1-1/4" Rotolock, 3/4" ODF)	8168006
Rotolock valve, V04 (1-1/4" Rotolock, 3/4" ODF)	8168029
Rotolock valve, V05 (1-1/4" Rotolock, 7/8" ODF)	8168030
Gasket, 1-1/4"	8156131

**Rotolock accessories, sets**

**Code no.**

Solder sleeve adapter set (1-3/4"~1-3/8"), (1-1/4"~7/8")	7765006
Angle adapter set, C02 (1-3/4"~1-1/8"), C04 (1-1/4"~3/4")	7703014
Valve set, V02 (1-3/4"~1-1/8"), V04 (1-1/4"~3/4")	7703009
Gasket set, 1", 1-1/4", 1-3/4", OSG gaskets black & white	8156009

**Solder sleeve adapter set**



- 1: Rotolock adapter (Suc & Dis)
- 2: Gasket (Suc & Dis)
- 3: Solder sleeve (Suc & Dis)
- 4: Rotolock nut (Suc & Dis)

**Oil / lubricants**

**Code no.**

POE lubricant, 160SZ, 1 litre can	7754023
POE lubricant, 160SZ, 2 litre can	7754024
POE lubricant, 160SZ, 1 gallon can	7754027

**Crankcase heaters**

**Code no.**

Belt type crankcase heater, 65 W, 110 V, CE mark, UL	7773109
Belt type crankcase heater, 65 W, 230 V, CE mark, UL	7773107
Belt type crankcase heater, 50 W, 110 V, UL	7773010
Belt type crankcase heater, 50 W, 240 V, UL	7773003

**Miscellaneous accessories**

**Code no.**

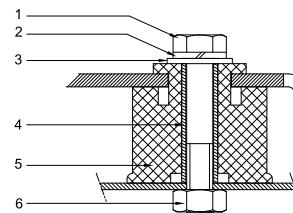
Acoustic hood for scroll compressor S115-S125	7755009
Discharge thermostat kit	7750009

**Spare parts**

**Code no.**

Mounting kit for 1 scroll compressor including 4 grommets, 4 sleeves, 4 bolts, 4 washers	8156138
Mounting kit for 1 scroll compressor including 4 grommets, 4 sleeves, 4 bolts, 4 washers, 2 rotolock nuts, 2 solder sleeves, 2 gaskets	8156146
Oil sight glass with gaskets (black & white)	8156019
Gasket for oil sight glass (white teflon)	8156129
Terminal box 186 x 198 mm, incl cover	8156139
T block connector 60 x 75 mm	8173021

**Mounting kit**



- 1: Bolt (4x)
- 2: Lock washer (4x)
- 3: Flat washer (4x)
- 4: Sleeve (4x)
- 5: Grommet (4x)
- 6: Nut (4x)

Danfoss can accept no responsibility for possible errors in catalogues, brochures and other printed material. Danfoss reserves the right to alter its products without notice. This also applies to products already on order provided that such alternations can be made without subsequential changes being necessary in specifications already agreed. All trademarks in this material are property of the respective companies. Danfoss, the Danfoss logotype and Performer are trademarks of Danfoss A/S. All rights reserved.

Performance data at 50 Hz, EN 12900 rating conditions

R407C

Cond. temp. in °C (tc)	Evaporating temperature in °C (to)							
	-20	-15	-10	-5	0	5	10	15

Cooling capacity in W

30	10 735	13 780	17 403	21 662	26 618	32 329	38 856	46 257	-
35	10 006	12 963	16 469	20 583	25 363	30 869	37 161	44 297	-
40	9 235	12 086	15 456	19 404	23 990	29 271	35 307	42 157	-
45	-	11 144	14 358	18 121	22 492	27 528	33 288	39 833	-
50	-	-	13 170	16 729	20 864	25 635	31 100	37 318	-
55	-	-	-	15 222	19 103	23 588	28 737	34 607	-
60	-	-	-	-	17 202	21 381	26 192	31 692	-
65	-	-	-	-	15 159	19 009	23 459	28 565	-

Power input in W

30	5 106	5 135	5 158	5 171	5 172	5 157	5 125	5 071	-
35	5 688	5 716	5 736	5 746	5 744	5 725	5 688	5 629	-
40	6 369	6 395	6 412	6 420	6 413	6 390	6 348	6 283	-
45	-	7 186	7 201	7 204	7 193	7 165	7 118	7 047	-
50	-	-	8 114	8 114	8 098	8 065	8 012	7 934	-
55	-	-	-	9 162	9 142	9 103	9 043	8 959	-
60	-	-	-	-	10 337	10 292	10 226	10 135	-
65	-	-	-	-	11 699	11 648	11 574	11 475	-

Current consumption in A

30	18.73	18.81	18.87	18.91	18.92	18.89	18.81	18.68	-
35	20.02	20.10	20.15	20.18	20.18	20.14	20.05	19.90	-
40	21.59	21.66	21.70	21.73	21.71	21.66	21.56	21.40	-
45	-	23.54	23.58	23.59	23.57	23.50	23.38	23.20	-
50	-	-	25.82	25.82	25.78	25.70	25.57	25.37	-
55	-	-	-	28.46	28.41	28.31	28.16	27.95	-
60	-	-	-	-	31.48	31.37	31.20	30.97	-
65	-	-	-	-	35.06	34.93	34.74	34.49	-

Mass flow in kg/h

30	224	282	350	428	517	618	732	860	-
35	219	278	347	425	515	617	732	860	-
40	213	273	342	422	512	614	730	859	-
45	-	267	337	416	507	610	725	855	-
50	-	-	329	409	500	603	718	847	-
55	-	-	-	398	489	592	708	837	-
60	-	-	-	-	475	578	693	822	-
65	-	-	-	-	457	559	674	803	-

Coefficient of performance (C.O.P.)

30	2.10	2.68	3.37	4.19	5.15	6.27	7.58	9.12	-
35	1.76	2.27	2.87	3.58	4.42	5.39	6.53	7.87	-
40	1.45	1.89	2.41	3.02	3.74	4.58	5.56	6.71	-
45	-	1.55	1.99	2.52	3.13	3.84	4.68	5.65	-
50	-	-	1.62	2.06	2.58	3.18	3.88	4.70	-
55	-	-	-	1.66	2.09	2.59	3.18	3.86	-
60	-	-	-	-	1.66	2.08	2.56	3.13	-
65	-	-	-	-	1.30	1.63	2.03	2.49	-

Nominal performance at to = 5 °C, tc = 50 °C

Cooling capacity	25 635	W
Power input	8 065	W
Current consumption	25.70	A
Mass flow	603	kg/h
C.O.P.	3.18	

Pressure switch settings

Maximum HP switch setting	29.5	bar(g)
Minimum LP switch setting	0.2	bar(g)
LP pump down setting	1	bar(g)

Sound power data

Sound power level	78	dB(A)
With acoustic hood	70	dB(A)

to: Evaporating temperature at dew point

tc: Condensing temperature at dew point

Rating conditions : Superheat = 10 K, Subcooling = 0 K

All performance data +/- 5%

Danfoss can accept no responsibility for possible errors in catalogues, brochures and other printed material. Danfoss reserves the right to alter its products without notice. This also applies to products already on order provided that such alternations can be made without subsequential changes being necessary in specifications already agreed. All trademarks in this material are property of the respective companies. Danfoss, the Danfoss logotype and Performer are trademarks of Danfoss A/S. All rights reserved.

Performance data at 50 Hz, ARI rating conditions

R407C

Cond. temp. in °C (tc)	Evaporating temperature in °C (to)							
	-20	-15	-10	-5	0	5	10	15

Cooling capacity in W

30	11 514	14 763	18 623	23 156	28 424	34 489	41 412	49 255	-
35	10 784	13 953	17 705	22 101	27 203	33 073	39 772	47 361	-
40	10 010	13 080	16 704	20 944	25 860	31 515	37 970	45 287	-
45	-	12 137	15 614	19 677	24 387	29 808	35 999	43 024	-
50	-	-	14 427	18 294	22 780	27 946	33 855	40 567	-
55	-	-	-	16 790	21 031	25 923	31 529	37 910	-
60	-	-	-	-	19 133	23 733	29 016	35 046	-
65	-	-	-	-	17 082	21 368	26 310	31 969	-

Power input in W

30	5 106	5 135	5 158	5 171	5 172	5 157	5 125	5 071	-
35	5 688	5 716	5 736	5 746	5 744	5 725	5 688	5 629	-
40	6 369	6 395	6 412	6 420	6 413	6 390	6 348	6 283	-
45	-	7 186	7 201	7 204	7 193	7 165	7 118	7 047	-
50	-	-	8 114	8 114	8 098	8 065	8 012	7 934	-
55	-	-	-	9 162	9 142	9 103	9 043	8 959	-
60	-	-	-	-	10 337	10 292	10 226	10 135	-
65	-	-	-	-	11 699	11 648	11 574	11 475	-

Current consumption in A

30	18.73	18.81	18.87	18.91	18.92	18.89	18.81	18.68	-
35	20.02	20.10	20.15	20.18	20.18	20.14	20.05	19.90	-
40	21.59	21.66	21.70	21.73	21.71	21.66	21.56	21.40	-
45	-	23.54	23.58	23.59	23.57	23.50	23.38	23.20	-
50	-	-	25.82	25.82	25.78	25.70	25.57	25.37	-
55	-	-	-	28.46	28.41	28.31	28.16	27.95	-
60	-	-	-	-	31.48	31.37	31.20	30.97	-
65	-	-	-	-	35.06	34.93	34.74	34.49	-

Mass flow in kg/h

30	223	281	348	425	514	614	728	855	-
35	218	277	345	423	512	613	727	855	-
40	212	272	340	419	509	611	725	853	-
45	-	265	335	414	504	606	721	849	-
50	-	-	327	406	497	599	714	842	-
55	-	-	-	396	486	589	703	832	-
60	-	-	-	-	472	575	689	817	-
65	-	-	-	-	454	556	670	798	-

Coefficient of performance (C.O.P.)

30	2.26	2.87	3.61	4.48	5.50	6.69	8.08	9.71	-
35	1.90	2.44	3.09	3.85	4.74	5.78	6.99	8.41	-
40	1.57	2.05	2.60	3.26	4.03	4.93	5.98	7.21	-
45	-	1.69	2.17	2.73	3.39	4.16	5.06	6.11	-
50	-	-	1.78	2.25	2.81	3.47	4.23	5.11	-
55	-	-	-	1.83	2.30	2.85	3.49	4.23	-
60	-	-	-	-	1.85	2.31	2.84	3.46	-
65	-	-	-	-	1.46	1.83	2.27	2.79	-

Nominal performance at to = 7.2 °C, tc = 54.4 °C

Cooling capacity	28 566	W
Power input	8 947	W
Current consumption	27.91	A
Mass flow	639	kg/h
C.O.P.	3.19	

Pressure switch settings

Maximum HP switch setting	29.5	bar(g)
Minimum LP switch setting	0.2	bar(g)
LP pump down setting	1	bar(g)

Sound power data

Sound power level	78	dB(A)
With acoustic hood	70	dB(A)

to: Evaporating temperature at dew point

tc: Condensing temperature at dew point

Rating conditions : Superheat = 11.1 K , Subcooling = 8.3 K

All performance data +/- 5%

Danfoss can accept no responsibility for possible errors in catalogues, brochures and other printed material. Danfoss reserves the right to alter its products without notice. This also applies to products already on order provided that such alternations can be made without subsequential changes being necessary in specifications already agreed. All trademarks in this material are property of the respective companies. Danfoss, the Danfoss logotype and Performer are trademarks of Danfoss A/S. All rights reserved.

Performance data at 50 Hz, EN 12900 rating conditions

R134a

Cond. temp. in °C (tc)	Evaporating temperature in °C (to)							
	-15	-10	-5	0	5	10	15	

Cooling capacity in W

35	8 881	11 397	14 330	17 720	21 604	26 024	31 018	-	-
40	8 293	10 725	13 556	16 825	20 570	24 832	29 649	-	-
45	7 682	10 019	12 737	15 873	19 468	23 560	28 189	-	-
50	7 051	9 281	11 874	14 867	18 300	22 211	26 639	-	-
55	-	8 513	10 969	13 808	17 066	20 784	25 001	-	-
60	-	-	10 025	12 696	15 769	19 282	23 274	-	-
65	-	-	-	11 534	14 409	17 705	21 460	-	-
70	-	-	-	10 322	12 987	16 052	19 558	-	-

Power input in W

35	4 051	4 063	4 065	4 055	4 030	3 989	3 928	-	-
40	4 506	4 521	4 526	4 521	4 501	4 465	4 411	-	-
45	5 018	5 036	5 046	5 045	5 030	5 001	4 953	-	-
50	5 591	5 613	5 627	5 631	5 623	5 600	5 559	-	-
55	-	6 256	6 275	6 285	6 283	6 267	6 234	-	-
60	-	-	6 994	7 010	7 014	7 005	6 981	-	-
65	-	-	-	7 810	7 822	7 821	7 804	-	-
70	-	-	-	8 690	8 709	8 716	8 709	-	-

Current consumption in A

35	16.33	16.39	16.41	16.40	16.34	16.22	16.04	-	-
40	17.15	17.22	17.25	17.25	17.20	17.09	16.92	-	-
45	18.15	18.22	18.26	18.27	18.23	18.13	17.98	-	-
50	19.32	19.40	19.45	19.47	19.44	19.36	19.22	-	-
55	-	20.78	20.85	20.87	20.86	20.80	20.67	-	-
60	-	-	22.46	22.51	22.51	22.46	22.35	-	-
65	-	-	-	24.38	24.39	24.36	24.27	-	-
70	-	-	-	26.52	26.55	26.53	26.46	-	-

Mass flow in kg/h

35	215	270	333	403	482	570	668	-	-
40	211	267	330	401	481	569	667	-	-
45	206	263	327	398	478	567	666	-	-
50	201	258	323	395	475	564	662	-	-
55	-	252	317	389	470	559	658	-	-
60	-	-	310	383	463	553	651	-	-
65	-	-	-	375	455	544	643	-	-
70	-	-	-	365	446	534	632	-	-

Coefficient of performance (C.O.P.)

35	2.19	2.81	3.53	4.37	5.36	6.52	7.90	-	-
40	1.84	2.37	2.99	3.72	4.57	5.56	6.72	-	-
45	1.53	1.99	2.52	3.15	3.87	4.71	5.69	-	-
50	1.26	1.65	2.11	2.64	3.25	3.97	4.79	-	-
55	-	1.36	1.75	2.20	2.72	3.32	4.01	-	-
60	-	-	1.43	1.81	2.25	2.75	3.33	-	-
65	-	-	-	1.48	1.84	2.26	2.75	-	-
70	-	-	-	1.19	1.49	1.84	2.25	-	-

Nominal performance at to = 5 °C, tc = 50 °C

Cooling capacity	18 300	W
Power input	5 623	W
Current consumption	19.44	A
Mass flow	475	kg/h
C.O.P.	3.25	

Pressure switch settings

Maximum HP switch setting	20.5	bar(g)
Minimum LP switch setting	0.2	bar(g)
LP pump down setting	0.5	bar(g)

Sound power data

Sound power level	0	dB(A)
With acoustic hood	0	dB(A)

to: Evaporating temperature at dew point

tc: Condensing temperature at dew point

Rating conditions : Superheat = 10 K, Subcooling = 0 K

All performance data +/- 5%

Danfoss can accept no responsibility for possible errors in catalogues, brochures and other printed material. Danfoss reserves the right to alter its products without notice. This also applies to products already on order provided that such alternations can be made without subsequential changes being necessary in specifications already agreed. All trademarks in this material are property of the respective companies. Danfoss, the Danfoss logotype and Performer are trademarks of Danfoss A/S. All rights reserved.

Performance data at 50 Hz, ARI rating conditions

R134a

Cond. temp. in °C (tc)	Evaporating temperature in °C (to)							
	-15	-10	-5	0	5	10	15	

Cooling capacity in W

35	9 620	12 324	15 471	19 100	23 253	27 969	33 290	-	-
40	9 032	11 658	14 709	18 224	22 245	26 811	31 963	-	-
45	8 419	10 956	13 900	17 290	21 166	25 570	30 542	-	-
50	7 783	10 220	13 045	16 297	20 019	24 249	29 029	-	-
55	-	9 450	12 145	15 249	18 803	22 849	27 425	-	-
60	-	-	11 202	14 146	17 522	21 371	25 732	-	-
65	-	-	-	12 989	16 176	19 816	23 952	-	-
70	-	-	-	11 781	14 766	18 187	22 085	-	-

Power input in W

35	4 051	4 063	4 065	4 055	4 030	3 989	3 928	-	-
40	4 506	4 521	4 526	4 521	4 501	4 465	4 411	-	-
45	5 018	5 036	5 046	5 045	5 030	5 001	4 953	-	-
50	5 591	5 613	5 627	5 631	5 623	5 600	5 559	-	-
55	-	6 256	6 275	6 285	6 283	6 267	6 234	-	-
60	-	-	6 994	7 010	7 014	7 005	6 981	-	-
65	-	-	-	7 810	7 822	7 821	7 804	-	-
70	-	-	-	8 690	8 709	8 716	8 709	-	-

Current consumption in A

35	16.33	16.39	16.41	16.40	16.34	16.22	16.04	-	-
40	17.15	17.22	17.25	17.25	17.20	17.09	16.92	-	-
45	18.15	18.22	18.26	18.27	18.23	18.13	17.98	-	-
50	19.32	19.40	19.45	19.47	19.44	19.36	19.22	-	-
55	-	20.78	20.85	20.87	20.86	20.80	20.67	-	-
60	-	-	22.46	22.51	22.51	22.46	22.35	-	-
65	-	-	-	24.38	24.39	24.36	24.27	-	-
70	-	-	-	26.52	26.55	26.53	26.46	-	-

Mass flow in kg/h

35	214	269	331	401	479	567	664	-	-
40	210	266	328	399	478	566	664	-	-
45	205	262	325	396	476	564	662	-	-
50	200	257	321	393	472	561	659	-	-
55	-	251	316	387	467	556	654	-	-
60	-	-	309	381	461	550	648	-	-
65	-	-	-	373	453	542	639	-	-
70	-	-	-	363	443	532	629	-	-

Coefficient of performance (C.O.P.)

35	2.37	3.03	3.81	4.71	5.77	7.01	8.48	-	-
40	2.00	2.58	3.25	4.03	4.94	6.00	7.25	-	-
45	1.68	2.18	2.75	3.43	4.21	5.11	6.17	-	-
50	1.39	1.82	2.32	2.89	3.56	4.33	5.22	-	-
55	-	1.51	1.94	2.43	2.99	3.65	4.40	-	-
60	-	-	1.60	2.02	2.50	3.05	3.69	-	-
65	-	-	-	1.66	2.07	2.53	3.07	-	-
70	-	-	-	1.36	1.70	2.09	2.54	-	-

Nominal performance at to = 7.2 °C, tc = 54.4 °C

Cooling capacity	20 679	W
Power input	6 194	W
Current consumption	20.66	A
Mass flow	506	kg/h
C.O.P.	3.34	

Pressure switch settings

Maximum HP switch setting	20.5	bar(g)
Minimum LP switch setting	0.2	bar(g)
LP pump down setting	0.5	bar(g)

Sound power data

Sound power level	0	dB(A)
With acoustic hood	0	dB(A)

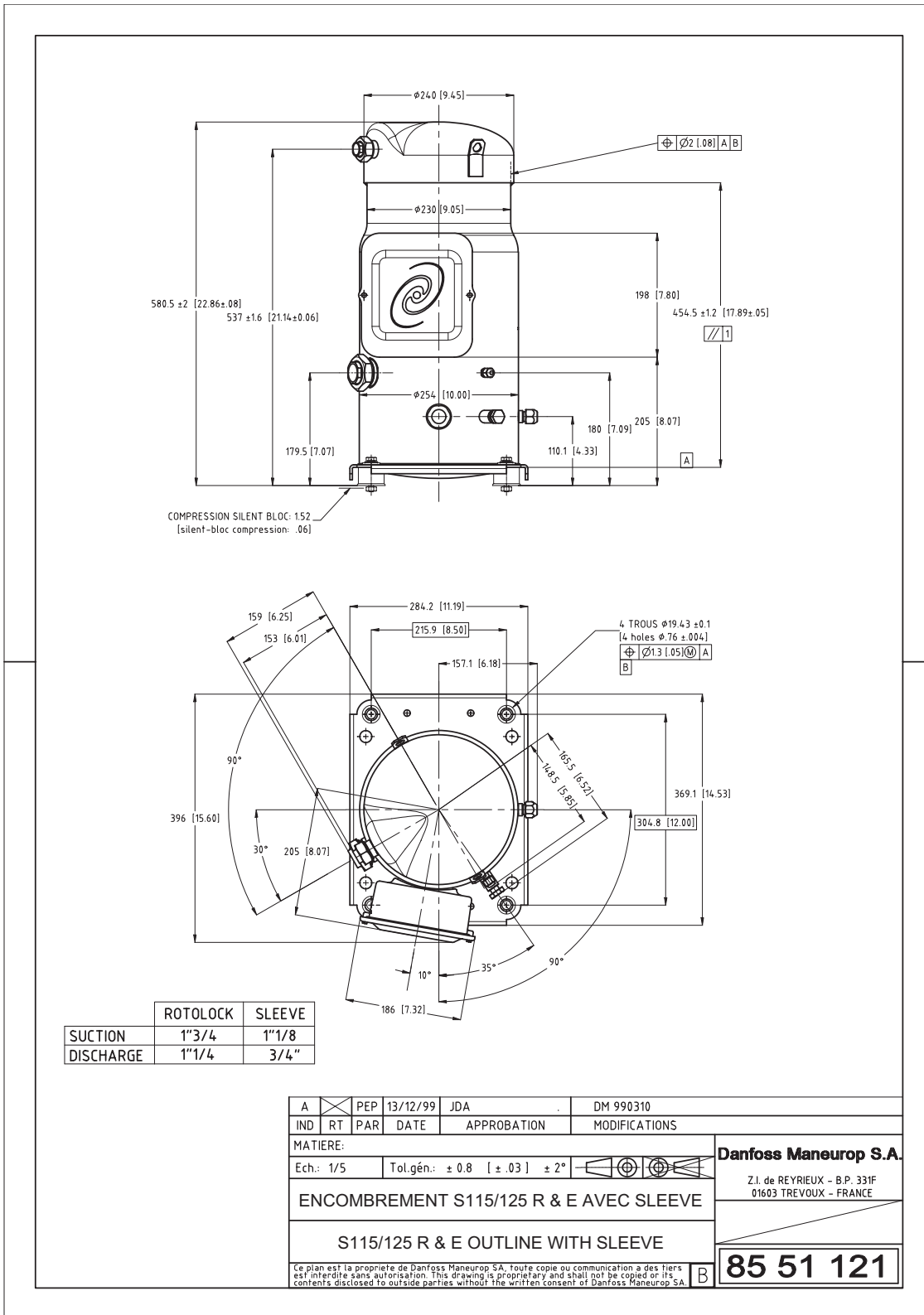
to: Evaporating temperature at dew point

tc: Condensing temperature at dew point

Rating conditions : Superheat = 11.1 K, Subcooling = 8.3 K

All performance data +/- 5%

Danfoss can accept no responsibility for possible errors in catalogues, brochures and other printed material. Danfoss reserves the right to alter its products without notice. This also applies to products already on order provided that such alternations can be made without subsequential changes being necessary in specifications already agreed. All trademarks in this material are property of the respective companies. Danfoss, the Danfoss logotype and Performer are trademarks of Danfoss A/S. All rights reserved.



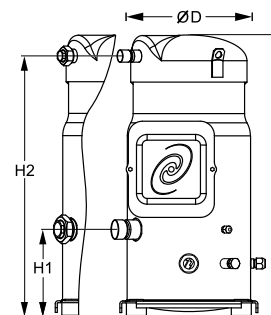
Danfoss can accept no responsibility for possible errors in catalogues, brochures and other printed material. Danfoss reserves the right to alter its products without notice. This also applies to products already on order provided that such alternations can be made without consequential changes being necessary in specifications already agreed. All trademarks in this material are property of the respective companies. Danfoss, the Danfoss logotype and Performer are trademarks of Danfoss A/S. All rights reserved.



**General Characteristics**

Model number (on compressor nameplate)	SZ125S7RC	SZ125S7CC
Code number for Singlepack*	SZ125-7RAI	SZ125-7CAI
Code number for Industrial pack**	SZ125-7RM	SZ125-7CAM
Drawing number	8551121a	8551121a
Suction and discharge connections	Rotolock	Brazed
Suction connection	1-3/4" Rotolock	1-3/8" ODF
Discharge connection	1-1/4" Rotolock	7/8" ODF
Suction connection with supplied sleeve	1-1/8" ODF	
Discharge connection with supplied sleeve	3/4" ODF	
Oil sight glass	Threaded	Threaded
Oil equalisation connection	3/8" flare SAE	3/8" flare SAE
Oil drain connection	1/4" NPT	1/4" NPT
LP gauge port	Schrader	Schrader
IPR valve	None	None
Swept volume	166.6 cm <sup>3</sup> /rev	
Displacement @ Nominal speed	29.0 m <sup>3</sup> /h @ 2900 rpm - 35.0 m <sup>3</sup> /h @ 3500 rpm	
Net weight	78 kg	
Oil charge	3.8 litre, POE - 160SZ	
Maximum system test pressure Low Side / High side	25 bar(g) / 32 bar(g)	
Maximum differential test pressure	24 bar	
Maximum number of starts per hour	12	
Refrigerant charge limit	11 kg	
Approved refrigerants	R407C - R134a - (R404A - R507A)	

**Dimensions**

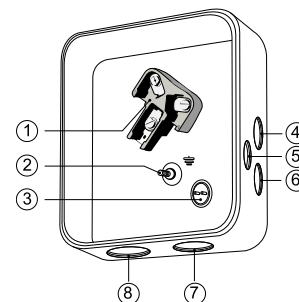


D=254 mm  
H=585.5 mm  
H1=179.5 mm  
H2=537.5 mm

**Electrical Characteristics**

Nominal voltage	500V/3/50Hz - 575V/3/60Hz
Voltage range	450-550 V @ 50Hz - 517-632 V @ 60Hz
Winding resistance (between phases) +/- 7% at 25°C	1.79 Ω
Maximum Must Trip current (MMT)	19 A
Locked Rotor Amps (LRA)	80 A
Motor protection	Internal thermostat, ext. overload protector needed

**Terminal box**



IP54 (with cable gland)

- 1: Power connection, 3 x 4.8 mm (3/16")
- 2: Earth M5, torque 2 Nm (17 in.lb)
- 3: Thermostat connector
- 4: Knock-out Ø 22 mm (7/8") for 1/2" conduit
- 5: Knock-out Ø 16.5 mm (0.65")
- 6: Knock-out Ø 20.5 mm (0.81")
- 7: Double knock-out Ø 32.1 mm (1.26") & Ø 25.4 mm (1")
- 8: Double knock-out Ø 44 mm (1-3/4") for 1-1/4" conduit & Ø 34 mm (1-3/8") for 1" conduit

**Recommended Installation torques**

Suction Rotolock nut or valve	110 Nm
Discharge Rotolock nut or valve	90 Nm
Oil sight glass	50 Nm
Power connections / Earth connection	3 Nm / 2 Nm
Terminal box cover screws	2.3 Nm
Mounting bolts	21 Nm

**Parts shipped with compressor**

Mounting kit with grommets, bolts, nuts, sleeves and washers
Initial oil charge
Installation instructions

**Approvals** : CE certified, UL certified (file SA6873), -

\*Singlepack: Compressor in cardboard box

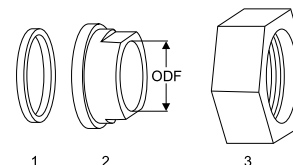
\*\*Industrial pack: 6 Unboxed compressors on pallet (order per multiples of 6)

**Rotolock accessories, suction side**

**Code no.**

Solder sleeve, P02 (1-3/4" Rotolock, 1-1/8" ODF)	8153004
Solder sleeve, P10 (1-3/4" Rotolock, 1-3/8" ODF)	8153003
Angle adapter, C02 (1-3/4" Rotolock, 1-1/8" ODF)	8168005
Rotolock valve, V02 (1-3/4" Rotolock, 1-1/8" ODF)	8168028
Rotolock valve, V10 (1-3/4" Rotolock, 1-3/8" ODF)	8168022
Gasket, 1-3/4"	8156132

**Gaskets, sleeves and nuts**



- 1: Gasket
- 2: Solder sleeve
- 3: Rotolock nut

**Rotolock accessories, discharge side**

**Code no.**

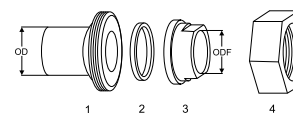
Solder sleeve, P04 (1-1/4" Rotolock, 3/4" ODF)	8153008
Solder sleeve with rotolock, P05 (1-1/4" Rotolock, 7/8" ODS)	8153012
Angle adapter, C04 (1-1/4" Rotolock, 3/4" ODF)	8168006
Rotolock valve, V04 (1-1/4" Rotolock, 3/4" ODF)	8168029
Rotolock valve, V05 (1-1/4" Rotolock, 7/8" ODF)	8168030
Gasket, 1-1/4"	8156131

**Rotolock accessories, sets**

**Code no.**

Solder sleeve adapter set (1-3/4"~1-3/8"), (1-1/4"~7/8")	7765006
Angle adapter set, C02 (1-3/4"~1-1/8"), C04 (1-1/4"~3/4")	7703014
Valve set, V02 (1-3/4"~1-1/8"), V04 (1-1/4"~3/4")	7703009
Gasket set, 1", 1-1/4", 1-3/4", OSG gaskets black & white	8156009

**Solder sleeve adapter set**



- 1: Rotolock adapter (Suc & Dis)
- 2: Gasket (Suc & Dis)
- 3: Solder sleeve (Suc & Dis)
- 4: Rotolock nut (Suc & Dis)

**Oil / lubricants**

**Code no.**

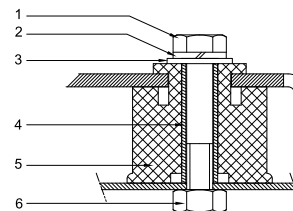
POE lubricant, 160SZ, 1 litre can	7754023
POE lubricant, 160SZ, 2 litre can	7754024
POE lubricant, 160SZ, 1 gallon can	7754027

**Crankcase heaters**

**Code no.**

Belt type crankcase heater, 65 W, 110 V, CE mark, UL	7773109
Belt type crankcase heater, 65 W, 230 V, CE mark, UL	7773107
Belt type crankcase heater, 65 W, 400 V, CE mark, UL	7773117
Belt type crankcase heater, 50 W, 110 V, UL	7773010
Belt type crankcase heater, 50 W, 240 V, UL	7773003
Belt type crankcase heater, 50 W, 400 V, UL	7773009
Belt type crankcase heater, 50 W, 460 V, UL	7773006
Belt type crankcase heater, 75 W, 575 V, UL	7773119

**Mounting kit**



- 1: Bolt (4x)
- 2: Lock washer (4x)
- 3: Flat washer (4x)
- 4: Sleeve (4x)
- 5: Grommet (4x)
- 6: Nut (4x)

**Miscellaneous accessories**

**Code no.**

Acoustic hood for scroll compressor S115-S125	7755009
Discharge thermostat kit	7750009

**Spare parts**

**Code no.**

Mounting kit for 1 scroll compressor including 4 grommets, 4 sleeves, 4 bolts, 4 washers	8156138
Mounting kit for 1 scroll compressor including 4 grommets, 4 sleeves, 4 bolts, 4 washers, 2 rotolock nuts, 2 solder sleeves, 2 gaskets	8156146
Oil sight glass with gaskets (black & white)	8156019
Gasket for oil sight glass (white teflon)	8156129
Terminal box 186 x 198 mm, incl cover	8156139
T block connector 60 x 75 mm	8173021

Performance data at 50 Hz, EN 12900 rating conditions

R407C

Cond. temp. in °C (tc)	Evaporating temperature in °C (to)							
	-20	-15	-10	-5	0	5	10	15

Cooling capacity in W

30	10 735	13 780	17 403	21 662	26 618	32 329	38 856	46 257	-
35	10 006	12 963	16 469	20 583	25 363	30 869	37 161	44 297	-
40	9 235	12 086	15 456	19 404	23 990	29 271	35 307	42 157	-
45	-	11 144	14 358	18 121	22 492	27 528	33 288	39 833	-
50	-	-	13 170	16 729	20 864	25 635	31 100	37 318	-
55	-	-	-	15 222	19 103	23 588	28 737	34 607	-
60	-	-	-	-	17 202	21 381	26 192	31 692	-
65	-	-	-	-	15 159	19 009	23 459	28 565	-

Power input in W

30	5 106	5 135	5 158	5 171	5 172	5 157	5 125	5 071	-
35	5 688	5 716	5 736	5 746	5 744	5 725	5 688	5 629	-
40	6 369	6 395	6 412	6 420	6 413	6 390	6 348	6 283	-
45	-	7 186	7 201	7 204	7 193	7 165	7 118	7 047	-
50	-	-	8 114	8 114	8 098	8 065	8 012	7 934	-
55	-	-	-	9 162	9 142	9 103	9 043	8 959	-
60	-	-	-	-	10 337	10 292	10 226	10 135	-
65	-	-	-	-	11 699	11 648	11 574	11 475	-

Current consumption in A

30	8.75	8.78	8.81	8.83	8.83	8.82	8.78	8.72	-
35	9.35	9.38	9.41	9.42	9.42	9.40	9.36	9.29	-
40	10.08	10.11	10.13	10.14	10.14	10.11	10.06	9.99	-
45	-	10.99	11.01	11.01	11.00	10.97	10.91	10.83	-
50	-	-	12.05	12.05	12.03	12.00	11.93	11.84	-
55	-	-	-	13.28	13.26	13.21	13.14	13.04	-
60	-	-	-	-	14.69	14.64	14.56	14.45	-
65	-	-	-	-	16.36	16.30	16.21	16.09	-

Mass flow in kg/h

30	224	282	350	428	517	618	732	860	-
35	219	278	347	425	515	617	732	860	-
40	213	273	342	422	512	614	730	859	-
45	-	267	337	416	507	610	725	855	-
50	-	-	329	409	500	603	718	847	-
55	-	-	-	398	489	592	708	837	-
60	-	-	-	-	475	578	693	822	-
65	-	-	-	-	457	559	674	803	-

Coefficient of performance (C.O.P.)

30	2.10	2.68	3.37	4.19	5.15	6.27	7.58	9.12	-
35	1.76	2.27	2.87	3.58	4.42	5.39	6.53	7.87	-
40	1.45	1.89	2.41	3.02	3.74	4.58	5.56	6.71	-
45	-	1.55	1.99	2.52	3.13	3.84	4.68	5.65	-
50	-	-	1.62	2.06	2.58	3.18	3.88	4.70	-
55	-	-	-	1.66	2.09	2.59	3.18	3.86	-
60	-	-	-	-	1.66	2.08	2.56	3.13	-
65	-	-	-	-	1.30	1.63	2.03	2.49	-

Nominal performance at to = 5 °C, tc = 50 °C

Cooling capacity	25 635	W
Power input	8 065	W
Current consumption	12.00	A
Mass flow	603	kg/h
C.O.P.	3.18	

Pressure switch settings

Maximum HP switch setting	29.5	bar(g)
Minimum LP switch setting	0.2	bar(g)
LP pump down setting	1	bar(g)

Sound power data

Sound power level	78	dB(A)
With acoustic hood	70	dB(A)

to: Evaporating temperature at dew point

tc: Condensing temperature at dew point

Rating conditions : Superheat = 10 K, Subcooling = 0 K

All performance data +/- 5%

Danfoss can accept no responsibility for possible errors in catalogues, brochures and other printed material. Danfoss reserves the right to alter its products without notice. This also applies to products already on order provided that such alternations can be made without subsequential changes being necessary in specifications already agreed. All trademarks in this material are property of the respective companies. Danfoss, the Danfoss logotype and Performer are trademarks of Danfoss A/S. All rights reserved.

Performance data at 50 Hz, ARI rating conditions

R407C

Cond. temp. in °C (tc)	Evaporating temperature in °C (to)							
	-20	-15	-10	-5	0	5	10	15

Cooling capacity in W

30	11 514	14 763	18 623	23 156	28 424	34 489	41 412	49 255	-
35	10 784	13 953	17 705	22 101	27 203	33 073	39 772	47 361	-
40	10 010	13 080	16 704	20 944	25 860	31 515	37 970	45 287	-
45	-	12 137	15 614	19 677	24 387	29 808	35 999	43 024	-
50	-	-	14 427	18 294	22 780	27 946	33 855	40 567	-
55	-	-	-	16 790	21 031	25 923	31 529	37 910	-
60	-	-	-	-	19 133	23 733	29 016	35 046	-
65	-	-	-	-	17 082	21 368	26 310	31 969	-

Power input in W

30	5 106	5 135	5 158	5 171	5 172	5 157	5 125	5 071	-
35	5 688	5 716	5 736	5 746	5 744	5 725	5 688	5 629	-
40	6 369	6 395	6 412	6 420	6 413	6 390	6 348	6 283	-
45	-	7 186	7 201	7 204	7 193	7 165	7 118	7 047	-
50	-	-	8 114	8 114	8 098	8 065	8 012	7 934	-
55	-	-	-	9 162	9 142	9 103	9 043	8 959	-
60	-	-	-	-	10 337	10 292	10 226	10 135	-
65	-	-	-	-	11 699	11 648	11 574	11 475	-

Current consumption in A

30	8.75	8.78	8.81	8.83	8.83	8.82	8.78	8.72	-
35	9.35	9.38	9.41	9.42	9.42	9.40	9.36	9.29	-
40	10.08	10.11	10.13	10.14	10.14	10.11	10.06	9.99	-
45	-	10.99	11.01	11.01	11.00	10.97	10.91	10.83	-
50	-	-	12.05	12.05	12.03	12.00	11.93	11.84	-
55	-	-	-	13.28	13.26	13.21	13.14	13.04	-
60	-	-	-	-	14.69	14.64	14.56	14.45	-
65	-	-	-	-	16.36	16.30	16.21	16.09	-

Mass flow in kg/h

30	223	281	348	425	514	614	728	855	-
35	218	277	345	423	512	613	727	855	-
40	212	272	340	419	509	611	725	853	-
45	-	265	335	414	504	606	721	849	-
50	-	-	327	406	497	599	714	842	-
55	-	-	-	396	486	589	703	832	-
60	-	-	-	-	472	575	689	817	-
65	-	-	-	-	454	556	670	798	-

Coefficient of performance (C.O.P.)

30	2.26	2.87	3.61	4.48	5.50	6.69	8.08	9.71	-
35	1.90	2.44	3.09	3.85	4.74	5.78	6.99	8.41	-
40	1.57	2.05	2.60	3.26	4.03	4.93	5.98	7.21	-
45	-	1.69	2.17	2.73	3.39	4.16	5.06	6.11	-
50	-	-	1.78	2.25	2.81	3.47	4.23	5.11	-
55	-	-	-	1.83	2.30	2.85	3.49	4.23	-
60	-	-	-	-	1.85	2.31	2.84	3.46	-
65	-	-	-	-	1.46	1.83	2.27	2.79	-

Nominal performance at to = 7.2 °C, tc = 54.4 °C

Cooling capacity	28 566	W
Power input	8 947	W
Current consumption	13.03	A
Mass flow	639	kg/h
C.O.P.	3.19	

Pressure switch settings

Maximum HP switch setting	29.5	bar(g)
Minimum LP switch setting	0.2	bar(g)
LP pump down setting	1	bar(g)

Sound power data

Sound power level	78	dB(A)
With acoustic hood	70	dB(A)

to: Evaporating temperature at dew point

tc: Condensing temperature at dew point

Rating conditions : Superheat = 11.1 K , Subcooling = 8.3 K

All performance data +/- 5%

Danfoss can accept no responsibility for possible errors in catalogues, brochures and other printed material. Danfoss reserves the right to alter its products without notice. This also applies to products already on order provided that such alternations can be made without subsequential changes being necessary in specifications already agreed. All trademarks in this material are property of the respective companies. Danfoss, the Danfoss logotype and Performer are trademarks of Danfoss A/S. All rights reserved.

Performance data at 50 Hz, EN 12900 rating conditions

R134a

Cond. temp. in °C (tc)	Evaporating temperature in °C (to)							
	-15	-10	-5	0	5	10	15	

Cooling capacity in W

35	8 881	11 397	14 330	17 720	21 604	26 024	31 018	-	-
40	8 293	10 725	13 556	16 825	20 570	24 832	29 649	-	-
45	7 682	10 019	12 737	15 873	19 468	23 560	28 189	-	-
50	7 051	9 281	11 874	14 867	18 300	22 211	26 639	-	-
55	-	8 513	10 969	13 808	17 066	20 784	25 001	-	-
60	-	-	10 025	12 696	15 769	19 282	23 274	-	-
65	-	-	-	11 534	14 409	17 705	21 460	-	-
70	-	-	-	10 322	12 987	16 052	19 558	-	-

Power input in W

35	4 051	4 063	4 065	4 055	4 030	3 989	3 928	-	-
40	4 506	4 521	4 526	4 521	4 501	4 465	4 411	-	-
45	5 018	5 036	5 046	5 045	5 030	5 001	4 953	-	-
50	5 591	5 613	5 627	5 631	5 623	5 600	5 559	-	-
55	-	6 256	6 275	6 285	6 283	6 267	6 234	-	-
60	-	-	6 994	7 010	7 014	7 005	6 981	-	-
65	-	-	-	7 810	7 822	7 821	7 804	-	-
70	-	-	-	8 690	8 709	8 716	8 709	-	-

Current consumption in A

35	7.63	7.66	7.67	7.66	7.63	7.58	7.49	-	-
40	8.01	8.04	8.06	8.06	8.04	7.99	7.91	-	-
45	8.48	8.51	8.53	8.53	8.52	8.47	8.40	-	-
50	9.03	9.06	9.09	9.10	9.08	9.05	8.98	-	-
55	-	9.71	9.74	9.75	9.75	9.72	9.66	-	-
60	-	-	10.50	10.52	10.52	10.49	10.44	-	-
65	-	-	-	11.39	11.40	11.39	11.34	-	-
70	-	-	-	12.39	12.41	12.40	12.37	-	-

Mass flow in kg/h

35	215	270	333	403	482	570	668	-	-
40	211	267	330	401	481	569	667	-	-
45	206	263	327	398	478	567	666	-	-
50	201	258	323	395	475	564	662	-	-
55	-	252	317	389	470	559	658	-	-
60	-	-	310	383	463	553	651	-	-
65	-	-	-	375	455	544	643	-	-
70	-	-	-	365	446	534	632	-	-

Coefficient of performance (C.O.P.)

35	2.19	2.81	3.53	4.37	5.36	6.52	7.90	-	-
40	1.84	2.37	2.99	3.72	4.57	5.56	6.72	-	-
45	1.53	1.99	2.52	3.15	3.87	4.71	5.69	-	-
50	1.26	1.65	2.11	2.64	3.25	3.97	4.79	-	-
55	-	1.36	1.75	2.20	2.72	3.32	4.01	-	-
60	-	-	1.43	1.81	2.25	2.75	3.33	-	-
65	-	-	-	1.48	1.84	2.26	2.75	-	-
70	-	-	-	1.19	1.49	1.84	2.25	-	-

Nominal performance at to = 5 °C, tc = 50 °C

Cooling capacity	18 300	W
Power input	5 623	W
Current consumption	9.08	A
Mass flow	475	kg/h
C.O.P.	3.25	

Pressure switch settings

Maximum HP switch setting	20.5	bar(g)
Minimum LP switch setting	0.2	bar(g)
LP pump down setting	0.5	bar(g)

Sound power data

Sound power level	0	dB(A)
With acoustic hood	0	dB(A)

to: Evaporating temperature at dew point

tc: Condensing temperature at dew point

Rating conditions : Superheat = 10 K , Subcooling = 0 K

All performance data +/- 5%

Danfoss can accept no responsibility for possible errors in catalogues, brochures and other printed material. Danfoss reserves the right to alter its products without notice. This also applies to products already on order provided that such alternations can be made without subsequential changes being necessary in specifications already agreed. All trademarks in this material are property of the respective companies. Danfoss, the Danfoss logotype and Performer are trademarks of Danfoss A/S. All rights reserved.

Performance data at 50 Hz, ARI rating conditions

R134a

Cond. temp. in °C (tc)	Evaporating temperature in °C (to)							
	-15	-10	-5	0	5	10	15	

Cooling capacity in W

35	9 620	12 324	15 471	19 100	23 253	27 969	33 290	-	-
40	9 032	11 658	14 709	18 224	22 245	26 811	31 963	-	-
45	8 419	10 956	13 900	17 290	21 166	25 570	30 542	-	-
50	7 783	10 220	13 045	16 297	20 019	24 249	29 029	-	-
55	-	9 450	12 145	15 249	18 803	22 849	27 425	-	-
60	-	-	11 202	14 146	17 522	21 371	25 732	-	-
65	-	-	-	12 989	16 176	19 816	23 952	-	-
70	-	-	-	11 781	14 766	18 187	22 085	-	-

Power input in W

35	4 051	4 063	4 065	4 055	4 030	3 989	3 928	-	-
40	4 506	4 521	4 526	4 521	4 501	4 465	4 411	-	-
45	5 018	5 036	5 046	5 045	5 030	5 001	4 953	-	-
50	5 591	5 613	5 627	5 631	5 623	5 600	5 559	-	-
55	-	6 256	6 275	6 285	6 283	6 267	6 234	-	-
60	-	-	6 994	7 010	7 014	7 005	6 981	-	-
65	-	-	-	7 810	7 822	7 821	7 804	-	-
70	-	-	-	8 690	8 709	8 716	8 709	-	-

Current consumption in A

35	7.63	7.66	7.67	7.66	7.63	7.58	7.49	-	-
40	8.01	8.04	8.06	8.06	8.04	7.99	7.91	-	-
45	8.48	8.51	8.53	8.53	8.52	8.47	8.40	-	-
50	9.03	9.06	9.09	9.10	9.08	9.05	8.98	-	-
55	-	9.71	9.74	9.75	9.75	9.72	9.66	-	-
60	-	-	10.50	10.52	10.52	10.49	10.44	-	-
65	-	-	-	11.39	11.40	11.39	11.34	-	-
70	-	-	-	12.39	12.41	12.40	12.37	-	-

Mass flow in kg/h

35	214	269	331	401	479	567	664	-	-
40	210	266	328	399	478	566	664	-	-
45	205	262	325	396	476	564	662	-	-
50	200	257	321	393	472	561	659	-	-
55	-	251	316	387	467	556	654	-	-
60	-	-	309	381	461	550	648	-	-
65	-	-	-	373	453	542	639	-	-
70	-	-	-	363	443	532	629	-	-

Coefficient of performance (C.O.P.)

35	2.37	3.03	3.81	4.71	5.77	7.01	8.48	-	-
40	2.00	2.58	3.25	4.03	4.94	6.00	7.25	-	-
45	1.68	2.18	2.75	3.43	4.21	5.11	6.17	-	-
50	1.39	1.82	2.32	2.89	3.56	4.33	5.22	-	-
55	-	1.51	1.94	2.43	2.99	3.65	4.40	-	-
60	-	-	1.60	2.02	2.50	3.05	3.69	-	-
65	-	-	-	1.66	2.07	2.53	3.07	-	-
70	-	-	-	1.36	1.70	2.09	2.54	-	-

Nominal performance at to = 7.2 °C, tc = 54.4 °C

Cooling capacity	20 679	W
Power input	6 194	W
Current consumption	9.65	A
Mass flow	506	kg/h
C.O.P.	3.34	

Pressure switch settings

Maximum HP switch setting	20.5	bar(g)
Minimum LP switch setting	0.2	bar(g)
LP pump down setting	0.5	bar(g)

Sound power data

Sound power level	0	dB(A)
With acoustic hood	0	dB(A)

to: Evaporating temperature at dew point

tc: Condensing temperature at dew point

Rating conditions : Superheat = 11.1 K, Subcooling = 8.3 K

All performance data +/- 5%

Danfoss can accept no responsibility for possible errors in catalogues, brochures and other printed material. Danfoss reserves the right to alter its products without notice. This also applies to products already on order provided that such alternations can be made without subsequential changes being necessary in specifications already agreed. All trademarks in this material are property of the respective companies. Danfoss, the Danfoss logotype and Performer are trademarks of Danfoss A/S. All rights reserved.

Performance data at 60 Hz, EN 12900 rating conditions

R407C

Cond. temp. in °C (tc)	Evaporating temperature in °C (to)							
	-20	-15	-10	-5	0	5	10	15

Cooling capacity in W

30	13 334	16 999	21 377	26 544	32 574	39 542	47 522	56 589	-
35	12 488	16 038	20 264	25 240	31 039	37 737	45 408	54 126	-
40	11 608	15 019	19 067	23 825	29 368	35 770	43 105	51 447	-
45	-	13 939	17 783	22 298	27 559	33 640	40 613	48 552	-
50	-	-	16 412	20 659	25 612	31 344	37 929	45 440	-
55	-	-	-	18 907	23 526	28 883	35 053	42 107	-
60	-	-	-	-	21 298	26 255	31 982	38 551	-
65	-	-	-	-	18 927	23 455	28 711	34 767	-

Power input in W

30	6 221	6 308	6 377	6 420	6 431	6 403	6 330	6 204	-
35	6 888	6 977	7 049	7 096	7 111	7 088	7 021	6 901	-
40	7 660	7 752	7 827	7 878	7 898	7 881	7 820	7 708	-
45	-	8 647	8 725	8 781	8 807	8 796	8 742	8 637	-
50	-	-	9 759	9 820	9 851	9 847	9 800	9 704	-
55	-	-	-	11 008	11 046	11 049	11 010	10 922	-
60	-	-	-	-	12 405	12 415	12 385	12 307	-
65	-	-	-	-	13 943	13 962	13 940	13 872	-

Current consumption in A

30	8.19	8.28	8.34	8.38	8.38	8.34	8.26	8.11	-
35	8.81	8.90	8.97	9.01	9.02	8.99	8.91	8.78	-
40	9.55	9.64	9.71	9.76	9.78	9.75	9.68	9.56	-
45	-	10.51	10.59	10.65	10.67	10.66	10.60	10.49	-
50	-	-	11.63	11.69	11.72	11.72	11.67	11.57	-
55	-	-	-	12.90	12.94	12.95	12.91	12.82	-
60	-	-	-	-	14.36	14.37	14.35	14.27	-
65	-	-	-	-	15.98	16.01	15.99	15.93	-

Mass flow in kg/h

30	278	348	430	524	632	755	895	1 052	-
35	273	344	427	522	630	754	894	1 052	-
40	267	339	422	518	627	751	891	1 048	-
45	-	333	417	512	621	745	885	1 042	-
50	-	-	409	504	613	737	876	1 032	-
55	-	-	-	494	602	725	863	1 018	-
60	-	-	-	-	588	709	846	1 000	-
65	-	-	-	-	570	690	825	977	-

Coefficient of performance (C.O.P.)

30	2.14	2.69	3.35	4.13	5.06	6.18	7.51	9.12	-
35	1.81	2.30	2.87	3.56	4.36	5.32	6.47	7.84	-
40	1.52	1.94	2.44	3.02	3.72	4.54	5.51	6.67	-
45	-	1.61	2.04	2.54	3.13	3.82	4.65	5.62	-
50	-	-	1.68	2.10	2.60	3.18	3.87	4.68	-
55	-	-	-	1.72	2.13	2.61	3.18	3.86	-
60	-	-	-	-	1.72	2.11	2.58	3.13	-
65	-	-	-	-	1.36	1.68	2.06	2.51	-

Nominal performance at to = 5 °C, tc = 50 °C

Cooling capacity	31 344	W
Power input	9 847	W
Current consumption	11.72	A
Mass flow	737	kg/h
C.O.P.	3.18	

Pressure switch settings

Maximum HP switch setting	29.5	bar(g)
Minimum LP switch setting	0.2	bar(g)
LP pump down setting	1	bar(g)

Sound power data

Sound power level	81	dB(A)
With acoustic hood	73	dB(A)

to: Evaporating temperature at dew point

tc: Condensing temperature at dew point

Rating conditions : Superheat = 10 K , Subcooling = 0 K

All performance data +/- 5%

Danfoss can accept no responsibility for possible errors in catalogues, brochures and other printed material. Danfoss reserves the right to alter its products without notice. This also applies to products already on order provided that such alternations can be made without subsequential changes being necessary in specifications already agreed. All trademarks in this material are property of the respective companies. Danfoss, the Danfoss logotype and Performer are trademarks of Danfoss A/S. All rights reserved.

Performance data at 60 Hz, ARI rating conditions

R407C

Cond. temp. in °C (tc)	Evaporating temperature in °C (to)							
	-20	-15	-10	-5	0	5	10	15

Cooling capacity in W

30	14 301	18 210	22 875	28 374	34 784	42 183	50 648	60 256	-
35	13 459	17 263	21 785	27 102	33 291	40 431	48 598	57 871	-
40	12 581	16 254	20 606	25 715	31 658	38 512	46 356	55 267	-
45	-	15 182	19 338	24 212	29 883	36 426	43 920	52 442	-
50	-	-	17 978	22 592	27 964	34 170	41 288	49 396	-
55	-	-	-	20 853	25 900	31 742	38 459	46 127	-
60	-	-	-	-	23 689	29 142	35 430	42 632	-
65	-	-	-	-	21 329	26 367	32 201	38 910	-

Power input in W

30	6 221	6 308	6 377	6 420	6 431	6 403	6 330	6 204	-
35	6 888	6 977	7 049	7 096	7 111	7 088	7 021	6 901	-
40	7 660	7 752	7 827	7 878	7 898	7 881	7 820	7 708	-
45	-	8 647	8 725	8 781	8 807	8 796	8 742	8 637	-
50	-	-	9 759	9 820	9 851	9 847	9 800	9 704	-
55	-	-	-	11 008	11 046	11 049	11 010	10 922	-
60	-	-	-	-	12 405	12 415	12 385	12 307	-
65	-	-	-	-	13 943	13 962	13 940	13 872	-

Current consumption in A

30	8.19	8.28	8.34	8.38	8.38	8.34	8.26	8.11	-
35	8.81	8.90	8.97	9.01	9.02	8.99	8.91	8.78	-
40	9.55	9.64	9.71	9.76	9.78	9.75	9.68	9.56	-
45	-	10.51	10.59	10.65	10.67	10.66	10.60	10.49	-
50	-	-	11.63	11.69	11.72	11.72	11.67	11.57	-
55	-	-	-	12.90	12.94	12.95	12.91	12.82	-
60	-	-	-	-	14.36	14.37	14.35	14.27	-
65	-	-	-	-	15.98	16.01	15.99	15.93	-

Mass flow in kg/h

30	277	346	427	521	628	751	889	1 045	-
35	272	342	424	519	627	750	889	1 045	-
40	266	337	420	515	623	747	886	1 042	-
45	-	332	414	509	618	741	880	1 036	-
50	-	-	407	502	610	732	871	1 026	-
55	-	-	-	492	599	721	858	1 012	-
60	-	-	-	-	585	705	841	993	-
65	-	-	-	-	567	686	820	971	-

Coefficient of performance (C.O.P.)

30	2.30	2.89	3.59	4.42	5.41	6.59	8.00	9.71	-
35	1.95	2.47	3.09	3.82	4.68	5.70	6.92	8.39	-
40	1.64	2.10	2.63	3.26	4.01	4.89	5.93	7.17	-
45	-	1.76	2.22	2.76	3.39	4.14	5.02	6.07	-
50	-	-	1.84	2.30	2.84	3.47	4.21	5.09	-
55	-	-	-	1.89	2.34	2.87	3.49	4.22	-
60	-	-	-	-	1.91	2.35	2.86	3.46	-
65	-	-	-	-	1.53	1.89	2.31	2.80	-

Nominal performance at to = 7.2 °C, tc = 54.4 °C

Cooling capacity	34 907	W
Power input	10 884	W
Current consumption	12.78	A
Mass flow	781	kg/h
C.O.P.	3.21	

Pressure switch settings

Maximum HP switch setting	29.5	bar(g)
Minimum LP switch setting	0.2	bar(g)
LP pump down setting	1	bar(g)

Sound power data

Sound power level	81	dB(A)
With acoustic hood	73	dB(A)

to: Evaporating temperature at dew point

tc: Condensing temperature at dew point

Rating conditions : Superheat = 11.1 K , Subcooling = 8.3 K

All performance data +/- 5%

Danfoss can accept no responsibility for possible errors in catalogues, brochures and other printed material. Danfoss reserves the right to alter its products without notice. This also applies to products already on order provided that such alternations can be made without subsequential changes being necessary in specifications already agreed. All trademarks in this material are property of the respective companies. Danfoss, the Danfoss logotype and Performer are trademarks of Danfoss A/S. All rights reserved.

Performance data at 60 Hz, EN 12900 rating conditions

R134a

Cond. temp. in °C (tc)	Evaporating temperature in °C (to)							
	-15	-10	-5	0	5	10	15	

Cooling capacity in W

35	10 659	13 532	16 937	20 930	25 569	30 911	37 015	-	-
40	9 995	12 767	16 048	19 894	24 364	29 514	35 402	-	-
45	9 310	11 968	15 111	18 797	23 083	28 027	33 685	-	-
50	8 608	11 137	14 129	17 641	21 730	26 453	31 867	-	-
55	-	10 277	13 105	16 429	20 306	24 794	29 949	-	-
60	-	-	12 040	15 162	18 814	23 052	27 934	-	-
65	-	-	-	13 844	17 256	21 229	25 822	-	-
70	-	-	-	12 476	15 632	19 326	23 613	-	-

Power input in W

35	4 808	4 878	4 934	4 974	4 991	4 981	4 940	-	-
40	5 302	5 374	5 433	5 476	5 497	5 492	5 456	-	-
45	5 860	5 935	5 997	6 044	6 069	6 069	6 038	-	-
50	6 488	6 566	6 632	6 682	6 712	6 717	6 693	-	-
55	-	7 273	7 343	7 398	7 432	7 443	7 424	-	-
60	-	-	8 136	8 195	8 235	8 251	8 239	-	-
65	-	-	-	9 080	9 126	9 149	9 143	-	-
70	-	-	-	10 059	10 111	10 140	10 141	-	-

Current consumption in A

35	7.19	7.25	7.30	7.33	7.33	7.30	7.24	-	-
40	7.63	7.69	7.74	7.78	7.79	7.77	7.72	-	-
45	8.14	8.21	8.27	8.30	8.32	8.31	8.27	-	-
50	8.74	8.81	8.87	8.92	8.94	8.94	8.90	-	-
55	-	9.50	9.57	9.62	9.65	9.66	9.63	-	-
60	-	-	10.36	10.42	10.46	10.48	10.46	-	-
65	-	-	-	11.34	11.38	11.41	11.40	-	-
70	-	-	-	12.36	12.42	12.45	12.46	-	-

Mass flow in kg/h

35	258	321	393	476	570	677	797	-	-
40	254	318	391	474	569	676	797	-	-
45	250	314	388	472	567	675	795	-	-
50	245	310	384	468	564	671	792	-	-
55	-	305	379	463	559	667	788	-	-
60	-	-	373	457	553	661	781	-	-
65	-	-	-	450	545	653	773	-	-
70	-	-	-	441	536	643	763	-	-

Coefficient of performance (C.O.P.)

35	2.22	2.77	3.43	4.21	5.12	6.21	7.49	-	-
40	1.89	2.38	2.95	3.63	4.43	5.37	6.49	-	-
45	1.59	2.02	2.52	3.11	3.80	4.62	5.58	-	-
50	1.33	1.70	2.13	2.64	3.24	3.94	4.76	-	-
55	-	1.41	1.78	2.22	2.73	3.33	4.03	-	-
60	-	-	1.48	1.85	2.28	2.79	3.39	-	-
65	-	-	-	1.52	1.89	2.32	2.82	-	-
70	-	-	-	1.24	1.55	1.91	2.33	-	-

Nominal performance at to = 5 °C, tc = 50 °C

Cooling capacity	21 730	W
Power input	6 712	W
Current consumption	8.94	A
Mass flow	564	kg/h
C.O.P.	3.24	

Pressure switch settings

Maximum HP switch setting	20.5	bar(g)
Minimum LP switch setting	0.2	bar(g)
LP pump down setting	0.5	bar(g)

Sound power data

Sound power level	0	dB(A)
With acoustic hood	0	dB(A)

to: Evaporating temperature at dew point

tc: Condensing temperature at dew point

Rating conditions : Superheat = 10 K, Subcooling = 0 K

All performance data +/- 5%

Danfoss can accept no responsibility for possible errors in catalogues, brochures and other printed material. Danfoss reserves the right to alter its products without notice. This also applies to products already on order provided that such alternations can be made without subsequential changes being necessary in specifications already agreed. All trademarks in this material are property of the respective companies. Danfoss, the Danfoss logotype and Performer are trademarks of Danfoss A/S. All rights reserved.

Performance data at 60 Hz, ARI rating conditions

R134a

Cond. temp. in °C (tc)	Evaporating temperature in °C (to)							
	-15	-10	-5	0	5	10	15	

Cooling capacity in W

35	11 545	14 633	18 285	22 560	27 519	33 222	39 727	-	-
40	10 885	13 878	17 413	21 549	26 347	31 866	38 165	-	-
45	10 203	13 087	16 491	20 474	25 096	30 417	36 497	-	-
50	9 501	12 263	15 522	19 338	23 771	28 880	34 725	-	-
55	-	11 409	14 509	18 144	22 373	27 256	32 854	-	-
60	-	-	13 454	16 894	20 905	25 549	30 884	-	-
65	-	-	-	15 591	19 371	23 761	28 820	-	-
70	-	-	-	14 239	17 774	21 896	26 665	-	-

Power input in W

35	4 808	4 878	4 934	4 974	4 991	4 981	4 940	-	-
40	5 302	5 374	5 433	5 476	5 497	5 492	5 456	-	-
45	5 860	5 935	5 997	6 044	6 069	6 069	6 038	-	-
50	6 488	6 566	6 632	6 682	6 712	6 717	6 693	-	-
55	-	7 273	7 343	7 398	7 432	7 443	7 424	-	-
60	-	-	8 136	8 195	8 235	8 251	8 239	-	-
65	-	-	-	9 080	9 126	9 149	9 143	-	-
70	-	-	-	10 059	10 111	10 140	10 141	-	-

Current consumption in A

35	7.19	7.25	7.30	7.33	7.33	7.30	7.24	-	-
40	7.63	7.69	7.74	7.78	7.79	7.77	7.72	-	-
45	8.14	8.21	8.27	8.30	8.32	8.31	8.27	-	-
50	8.74	8.81	8.87	8.92	8.94	8.94	8.90	-	-
55	-	9.50	9.57	9.62	9.65	9.66	9.63	-	-
60	-	-	10.36	10.42	10.46	10.48	10.46	-	-
65	-	-	-	11.34	11.38	11.41	11.40	-	-
70	-	-	-	12.36	12.42	12.45	12.46	-	-

Mass flow in kg/h

35	257	319	391	473	567	673	792	-	-
40	253	316	389	472	566	673	792	-	-
45	249	313	386	469	564	671	791	-	-
50	244	308	382	466	561	668	788	-	-
55	-	303	377	461	556	663	783	-	-
60	-	-	371	455	550	657	777	-	-
65	-	-	-	448	542	649	769	-	-
70	-	-	-	439	533	640	759	-	-

Coefficient of performance (C.O.P.)

35	2.40	3.00	3.71	4.54	5.51	6.67	8.04	-	-
40	2.05	2.58	3.20	3.94	4.79	5.80	6.99	-	-
45	1.74	2.21	2.75	3.39	4.14	5.01	6.04	-	-
50	1.46	1.87	2.34	2.89	3.54	4.30	5.19	-	-
55	-	1.57	1.98	2.45	3.01	3.66	4.43	-	-
60	-	-	1.65	2.06	2.54	3.10	3.75	-	-
65	-	-	-	1.72	2.12	2.60	3.15	-	-
70	-	-	-	1.42	1.76	2.16	2.63	-	-

Nominal performance at to = 7.2 °C, tc = 54.4 °C

Cooling capacity	24 621	W
Power input	7 349	W
Current consumption	9.56	A
Mass flow	602	kg/h
C.O.P.	3.35	

Pressure switch settings

Maximum HP switch setting	20.5	bar(g)
Minimum LP switch setting	0.2	bar(g)
LP pump down setting	0.5	bar(g)

Sound power data

Sound power level	0	dB(A)
With acoustic hood	0	dB(A)

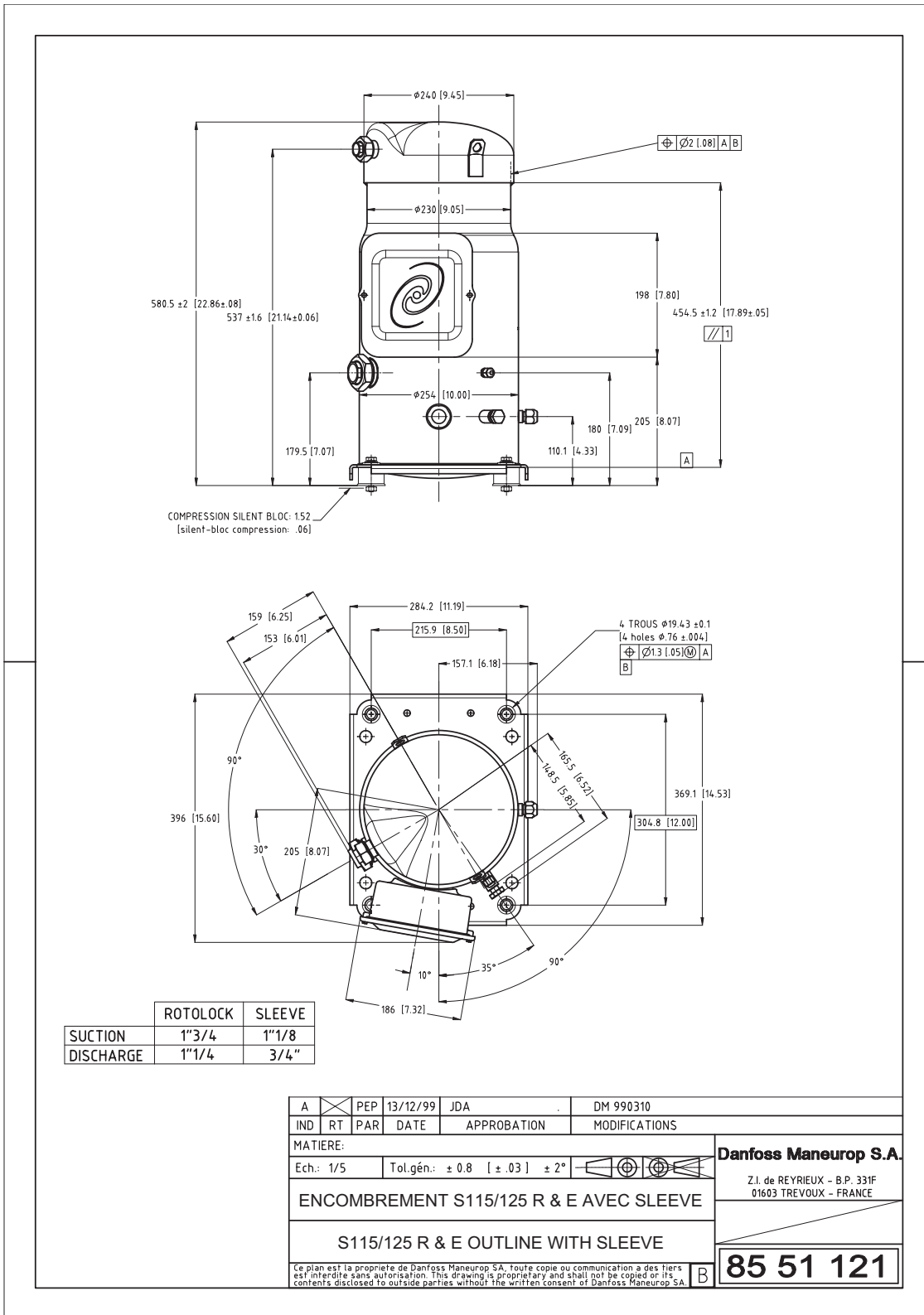
to: Evaporating temperature at dew point

tc: Condensing temperature at dew point

Rating conditions : Superheat = 11.1 K , Subcooling = 8.3 K

All performance data +/- 5%

Danfoss can accept no responsibility for possible errors in catalogues, brochures and other printed material. Danfoss reserves the right to alter its products without notice. This also applies to products already on order provided that such alternations can be made without subsequential changes being necessary in specifications already agreed. All trademarks in this material are property of the respective companies. Danfoss, the Danfoss logotype and Performer are trademarks of Danfoss A/S. All rights reserved.



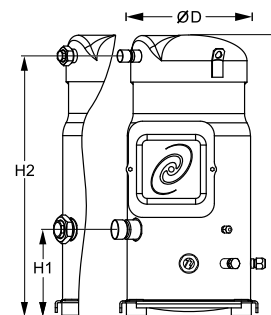
Danfoss can accept no responsibility for possible errors in catalogues, brochures and other printed material. Danfoss reserves the right to alter its products without notice. This also applies to products already on order provided that such alternations can be made without consequential changes being necessary in specifications already agreed. All trademarks in this material are property of the respective companies. Danfoss, the Danfoss logotype and Performer are trademarks of Danfoss A/S. All rights reserved.



**General Characteristics**

Model number (on compressor nameplate)	SZ125S9RC	SZ125S9CC
Code number for Singlepack*	SZ125-9RI	SZ125-9CAI
Code number for Industrial pack**	SZ125-9RM	SZ125-9CAM
Drawing number	8551121a	8551121a
Suction and discharge connections	Rotolock	Brazed
Suction connection	1-3/4" Rotolock	1-3/8" ODF
Discharge connection	1-1/4" Rotolock	7/8" ODF
Suction connection with supplied sleeve	1-1/4" ODF	
Discharge connection with supplied sleeve	3/4" ODF	
Oil sight glass	Threaded	Threaded
Oil equalisation connection	3/8" flare SAE	3/8" flare SAE
Oil drain connection	1/4" NPT	1/4" NPT
LP gauge port	Schrader	Schrader
IPR valve	None	None
Swept volume	166.6 cm <sup>3</sup> /rev	
Displacement @ Nominal speed	35.0 m <sup>3</sup> /h @ 3500 rpm	
Net weight	78 kg	
Oil charge	3.8 litre, POE - 160SZ	
Maximum system test pressure Low Side / High side	25 bar(g) / 32 bar(g)	
Maximum differential test pressure	24 bar	
Maximum number of starts per hour	12	
Refrigerant charge limit	11 kg	
Approved refrigerants	R407C - R134a - (R404A - R507A)	

**Dimensions**

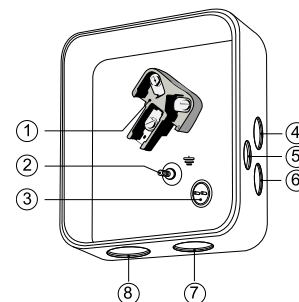


D=254 mm  
H=585.5 mm  
H1=179.5 mm  
H2=537.5 mm

**Electrical Characteristics**

Nominal voltage	380V/3/60Hz
Voltage range	342-418 V
Winding resistance (between phases) +/- 7% at 25°C	0.74 Ω
Maximum Must Trip current (MMT)	32 A
Locked Rotor Amps (LRA)	155 A
Motor protection	Internal thermostat, ext. overload protector needed

**Terminal box**



IP54 (with cable gland)

- 1: Power connection, 3 x 4.8 mm (3/16")
- 2: Earth M5, torque 2 Nm (17 in.lb)
- 3: Thermostat connector
- 4: Knock-out Ø 22 mm (7/8") for 1/2" conduit
- 5: Knock-out Ø 16.5 mm (0.65")
- 6: Knock-out Ø 20.5 mm (0.81")
- 7: Double knock-out Ø 32.1 mm (1.26") & Ø 25.4 mm (1")
- 8: Double knock-out Ø 44 mm (1-3/4") for 1-1/4" conduit & Ø 34 mm (1-3/8") for 1" conduit

**Recommended Installation torques**

Suction Rotolock nut or valve	110 Nm
Discharge Rotolock nut or valve	90 Nm
Oil sight glass	50 Nm
Power connections / Earth connection	3 Nm / 2 Nm
Terminal box cover screws	2.3 Nm
Mounting bolts	21 Nm

**Parts shipped with compressor**

Mounting kit with grommets, bolts, nuts, sleeves and washers
Initial oil charge
Installation instructions

**Approvals** : CE certified, UL certified (file SA6873), -

\*Singlepack: Compressor in cardboard box

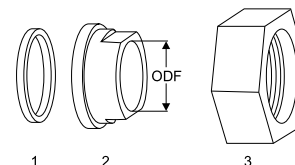
\*\*Industrial pack: 6 Unboxed compressors on pallet (order per multiples of 6)

**Rotolock accessories, suction side**

**Code no.**

Solder sleeve, P02 (1-3/4" Rotolock, 1-1/8" ODF)	8153004
Solder sleeve, P10 (1-3/4" Rotolock, 1-3/8" ODF)	8153003
Angle adapter, C02 (1-3/4" Rotolock, 1-1/8" ODF)	8168005
Rotolock valve, V02 (1-3/4" Rotolock, 1-1/8" ODF)	8168028
Rotolock valve, V10 (1-3/4" Rotolock, 1-3/8" ODF)	8168022
Gasket, 1-3/4"	8156132

**Gaskets, sleeves and nuts**



- 1: Gasket
- 2: Solder sleeve
- 3: Rotolock nut

**Rotolock accessories, discharge side**

**Code no.**

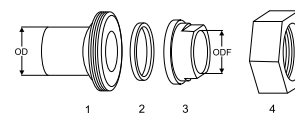
Solder sleeve, P04 (1-1/4" Rotolock, 3/4" ODF)	8153008
Solder sleeve with rotolock, P05 (1-1/4" Rotolock, 7/8" ODS)	8153012
Angle adapter, C04 (1-1/4" Rotolock, 3/4" ODF)	8168006
Rotolock valve, V04 (1-1/4" Rotolock, 3/4" ODF)	8168029
Rotolock valve, V05 (1-1/4" Rotolock, 7/8" ODF)	8168030
Gasket, 1-1/4"	8156131

**Rotolock accessories, sets**

**Code no.**

Solder sleeve adapter set (1-3/4"~1-3/8"), (1-1/4"~7/8")	7765006
Angle adapter set, C02 (1-3/4"~1-1/8"), C04 (1-1/4"~3/4")	7703014
Valve set, V02 (1-3/4"~1-1/8"), V04 (1-1/4"~3/4")	7703009
Gasket set, 1", 1-1/4", 1-3/4", OSG gaskets black & white	8156009

**Solder sleeve adapter set**



- 1: Rotolock adapter (Suc & Dis)
- 2: Gasket (Suc & Dis)
- 3: Solder sleeve (Suc & Dis)
- 4: Rotolock nut (Suc & Dis)

**Oil / lubricants**

**Code no.**

POE lubricant, 160SZ, 1 litre can	7754023
POE lubricant, 160SZ, 2 litre can	7754024
POE lubricant, 160SZ, 1 gallon can	7754027

**Crankcase heaters**

**Code no.**

Belt type crankcase heater, 65 W, 110 V, CE mark, UL	7773109
Belt type crankcase heater, 65 W, 230 V, CE mark, UL	7773107
Belt type crankcase heater, 65 W, 400 V, CE mark, UL	7773117
Belt type crankcase heater, 50 W, 110 V, UL	7773010
Belt type crankcase heater, 50 W, 240 V, UL	7773003
Belt type crankcase heater, 50 W, 400 V, UL	7773009

**Miscellaneous accessories**

**Code no.**

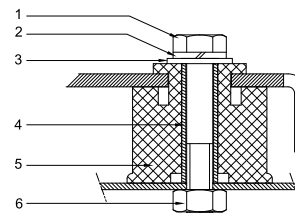
Acoustic hood for scroll compressor S115-S125	7755009
Discharge thermostat kit	7750009

**Spare parts**

**Code no.**

Mounting kit for 1 scroll compressor including 4 grommets, 4 sleeves, 4 bolts, 4 washers	8156138
Mounting kit for 1 scroll compressor including 4 grommets, 4 sleeves, 4 bolts, 4 washers, 2 rotolock nuts, 2 solder sleeves, 2 gaskets	8156146
Oil sight glass with gaskets (black & white)	8156019
Gasket for oil sight glass (white teflon)	8156129
Terminal box 186 x 198 mm, incl cover	8156139
T block connector 60 x 75 mm	8173021

**Mounting kit**



- 1: Bolt (4x)
- 2: Lock washer (4x)
- 3: Flat washer (4x)
- 4: Sleeve (4x)
- 5: Grommet (4x)
- 6: Nut (4x)

Danfoss can accept no responsibility for possible errors in catalogues, brochures and other printed material. Danfoss reserves the right to alter its products without notice. This also applies to products already on order provided that such alternations can be made without subsequential changes being necessary in specifications already agreed. All trademarks in this material are property of the respective companies. Danfoss, the Danfoss logotype and Performer are trademarks of Danfoss A/S. All rights reserved.

**Performance data at 60 Hz, EN 12900 rating conditions**
**R407C**

Cond. temp. in °C (tc)	Evaporating temperature in °C (to)							
	-20	-15	-10	-5	0	5	10	15

**Cooling capacity in W**

30	13 334	16 999	21 377	26 544	32 574	39 542	47 522	56 589	-
35	12 488	16 038	20 264	25 240	31 039	37 737	45 408	54 126	-
40	11 608	15 019	19 067	23 825	29 368	35 770	43 105	51 447	-
45	-	13 939	17 783	22 298	27 559	33 640	40 613	48 552	-
50	-	-	16 412	20 659	25 612	31 344	37 929	45 440	-
55	-	-	-	18 907	23 526	28 883	35 053	42 107	-
60	-	-	-	-	21 298	26 255	31 982	38 551	-
65	-	-	-	-	18 927	23 455	28 711	34 767	-

**Power input in W**

30	6 221	6 308	6 377	6 420	6 431	6 403	6 330	6 204	-
35	6 888	6 977	7 049	7 096	7 111	7 088	7 021	6 901	-
40	7 660	7 752	7 827	7 878	7 898	7 881	7 820	7 708	-
45	-	8 647	8 725	8 781	8 807	8 796	8 742	8 637	-
50	-	-	9 759	9 820	9 851	9 847	9 800	9 704	-
55	-	-	-	11 008	11 046	11 049	11 010	10 922	-
60	-	-	-	-	12 405	12 415	12 385	12 307	-
65	-	-	-	-	13 943	13 962	13 940	13 872	-

**Current consumption in A**

30	12.79	12.92	13.02	13.08	13.08	13.02	12.89	12.66	-
35	13.75	13.89	14.00	14.07	14.08	14.03	13.91	13.70	-
40	14.90	15.05	15.16	15.24	15.26	15.23	15.12	14.92	-
45	-	16.41	16.53	16.62	16.66	16.63	16.54	16.37	-
50	-	-	18.15	18.24	18.29	18.29	18.21	18.05	-
55	-	-	-	20.14	20.20	20.21	20.15	20.01	-
60	-	-	-	-	22.40	22.43	22.39	22.27	-
65	-	-	-	-	24.93	24.98	24.95	24.86	-

**Mass flow in kg/h**

30	278	348	430	524	632	755	895	1 052	-
35	273	344	427	522	630	754	894	1 052	-
40	267	339	422	518	627	751	891	1 048	-
45	-	333	417	512	621	745	885	1 042	-
50	-	-	409	504	613	737	876	1 032	-
55	-	-	-	494	602	725	863	1 018	-
60	-	-	-	-	588	709	846	1 000	-
65	-	-	-	-	570	690	825	977	-

**Coefficient of performance (C.O.P.)**

30	2.14	2.69	3.35	4.13	5.06	6.18	7.51	9.12	-
35	1.81	2.30	2.87	3.56	4.36	5.32	6.47	7.84	-
40	1.52	1.94	2.44	3.02	3.72	4.54	5.51	6.67	-
45	-	1.61	2.04	2.54	3.13	3.82	4.65	5.62	-
50	-	-	1.68	2.10	2.60	3.18	3.87	4.68	-
55	-	-	-	1.72	2.13	2.61	3.18	3.86	-
60	-	-	-	-	1.72	2.11	2.58	3.13	-
65	-	-	-	-	1.36	1.68	2.06	2.51	-

**Nominal performance at to = 5 °C, tc = 50 °C**

Cooling capacity	31 344	W
Power input	9 847	W
Current consumption	18.29	A
Mass flow	737	kg/h
C.O.P.	3.18	

**Pressure switch settings**

Maximum HP switch setting	29.5	bar(g)
Minimum LP switch setting	0.2	bar(g)
LP pump down setting	1	bar(g)

**Sound power data**

Sound power level	81	dB(A)
With acoustic hood	73	dB(A)

to: Evaporating temperature at dew point

tc: Condensing temperature at dew point

Rating conditions : Superheat = 10 K, Subcooling = 0 K

All performance data +/- 5%

Danfoss can accept no responsibility for possible errors in catalogues, brochures and other printed material. Danfoss reserves the right to alter its products without notice. This also applies to products already on order provided that such alternations can be made without subsequential changes being necessary in specifications already agreed. All trademarks in this material are property of the respective companies. Danfoss, the Danfoss logotype and Performer are trademarks of Danfoss A/S. All rights reserved.

Performance data at 60 Hz, ARI rating conditions

R407C

Cond. temp. in °C (tc)	Evaporating temperature in °C (to)							
	-20	-15	-10	-5	0	5	10	15

Cooling capacity in W

30	14 301	18 210	22 875	28 374	34 784	42 183	50 648	60 256	-
35	13 459	17 263	21 785	27 102	33 291	40 431	48 598	57 871	-
40	12 581	16 254	20 606	25 715	31 658	38 512	46 356	55 267	-
45	-	15 182	19 338	24 212	29 883	36 426	43 920	52 442	-
50	-	-	17 978	22 592	27 964	34 170	41 288	49 396	-
55	-	-	-	20 853	25 900	31 742	38 459	46 127	-
60	-	-	-	-	23 689	29 142	35 430	42 632	-
65	-	-	-	-	21 329	26 367	32 201	38 910	-

Power input in W

30	6 221	6 308	6 377	6 420	6 431	6 403	6 330	6 204	-
35	6 888	6 977	7 049	7 096	7 111	7 088	7 021	6 901	-
40	7 660	7 752	7 827	7 878	7 898	7 881	7 820	7 708	-
45	-	8 647	8 725	8 781	8 807	8 796	8 742	8 637	-
50	-	-	9 759	9 820	9 851	9 847	9 800	9 704	-
55	-	-	-	11 008	11 046	11 049	11 010	10 922	-
60	-	-	-	-	12 405	12 415	12 385	12 307	-
65	-	-	-	-	13 943	13 962	13 940	13 872	-

Current consumption in A

30	12.79	12.92	13.02	13.08	13.08	13.02	12.89	12.66	-
35	13.75	13.89	14.00	14.07	14.08	14.03	13.91	13.70	-
40	14.90	15.05	15.16	15.24	15.26	15.23	15.12	14.92	-
45	-	16.41	16.53	16.62	16.66	16.63	16.54	16.37	-
50	-	-	18.15	18.24	18.29	18.29	18.21	18.05	-
55	-	-	-	20.14	20.20	20.21	20.15	20.01	-
60	-	-	-	-	22.40	22.43	22.39	22.27	-
65	-	-	-	-	24.93	24.98	24.95	24.86	-

Mass flow in kg/h

30	277	346	427	521	628	751	889	1 045	-
35	272	342	424	519	627	750	889	1 045	-
40	266	337	420	515	623	747	886	1 042	-
45	-	332	414	509	618	741	880	1 036	-
50	-	-	407	502	610	732	871	1 026	-
55	-	-	-	492	599	721	858	1 012	-
60	-	-	-	-	585	705	841	993	-
65	-	-	-	-	567	686	820	971	-

Coefficient of performance (C.O.P.)

30	2.30	2.89	3.59	4.42	5.41	6.59	8.00	9.71	-
35	1.95	2.47	3.09	3.82	4.68	5.70	6.92	8.39	-
40	1.64	2.10	2.63	3.26	4.01	4.89	5.93	7.17	-
45	-	1.76	2.22	2.76	3.39	4.14	5.02	6.07	-
50	-	-	1.84	2.30	2.84	3.47	4.21	5.09	-
55	-	-	-	1.89	2.34	2.87	3.49	4.22	-
60	-	-	-	-	1.91	2.35	2.86	3.46	-
65	-	-	-	-	1.53	1.89	2.31	2.80	-

Nominal performance at to = 7.2 °C, tc = 54.4 °C

Cooling capacity	34 907	W
Power input	10 884	W
Current consumption	19.94	A
Mass flow	781	kg/h
C.O.P.	3.21	

Pressure switch settings

Maximum HP switch setting	29.5	bar(g)
Minimum LP switch setting	0.2	bar(g)
LP pump down setting	1	bar(g)

Sound power data

Sound power level	81	dB(A)
With acoustic hood	73	dB(A)

to: Evaporating temperature at dew point

tc: Condensing temperature at dew point

Rating conditions : Superheat = 11.1 K , Subcooling = 8.3 K

All performance data +/- 5%

Danfoss can accept no responsibility for possible errors in catalogues, brochures and other printed material. Danfoss reserves the right to alter its products without notice. This also applies to products already on order provided that such alternations can be made without subsequential changes being necessary in specifications already agreed. All trademarks in this material are property of the respective companies. Danfoss, the Danfoss logotype and Performer are trademarks of Danfoss A/S. All rights reserved.

Performance data at 60 Hz, EN 12900 rating conditions

R134a

Cond. temp. in °C (tc)	Evaporating temperature in °C (to)							
	-15	-10	-5	0	5	10	15	

Cooling capacity in W

35	10 659	13 532	16 937	20 930	25 569	30 911	37 015	-	-
40	9 995	12 767	16 048	19 894	24 364	29 514	35 402	-	-
45	9 310	11 968	15 111	18 797	23 083	28 027	33 685	-	-
50	8 608	11 137	14 129	17 641	21 730	26 453	31 867	-	-
55	-	10 277	13 105	16 429	20 306	24 794	29 949	-	-
60	-	-	12 040	15 162	18 814	23 052	27 934	-	-
65	-	-	-	13 844	17 256	21 229	25 822	-	-
70	-	-	-	12 476	15 632	19 326	23 613	-	-

Power input in W

35	4 808	4 878	4 934	4 974	4 991	4 981	4 940	-	-
40	5 302	5 374	5 433	5 476	5 497	5 492	5 456	-	-
45	5 860	5 935	5 997	6 044	6 069	6 069	6 038	-	-
50	6 488	6 566	6 632	6 682	6 712	6 717	6 693	-	-
55	-	7 273	7 343	7 398	7 432	7 443	7 424	-	-
60	-	-	8 136	8 195	8 235	8 251	8 239	-	-
65	-	-	-	9 080	9 126	9 149	9 143	-	-
70	-	-	-	10 059	10 111	10 140	10 141	-	-

Current consumption in A

35	11.26	11.36	11.43	11.47	11.48	11.44	11.35	-	-
40	11.95	12.05	12.13	12.18	12.20	12.17	12.09	-	-
45	12.75	12.86	12.95	13.01	13.03	13.02	12.95	-	-
50	13.69	13.80	13.90	13.97	14.00	14.00	13.95	-	-
55	-	14.89	14.99	15.07	15.12	15.13	15.09	-	-
60	-	-	16.24	16.33	16.39	16.42	16.39	-	-
65	-	-	-	17.76	17.84	17.88	17.87	-	-
70	-	-	-	19.38	19.47	19.52	19.53	-	-

Mass flow in kg/h

35	258	321	393	476	570	677	797	-	-
40	254	318	391	474	569	676	797	-	-
45	250	314	388	472	567	675	795	-	-
50	245	310	384	468	564	671	792	-	-
55	-	305	379	463	559	667	788	-	-
60	-	-	373	457	553	661	781	-	-
65	-	-	-	450	545	653	773	-	-
70	-	-	-	441	536	643	763	-	-

Coefficient of performance (C.O.P.)

35	2.22	2.77	3.43	4.21	5.12	6.21	7.49	-	-
40	1.89	2.38	2.95	3.63	4.43	5.37	6.49	-	-
45	1.59	2.02	2.52	3.11	3.80	4.62	5.58	-	-
50	1.33	1.70	2.13	2.64	3.24	3.94	4.76	-	-
55	-	1.41	1.78	2.22	2.73	3.33	4.03	-	-
60	-	-	1.48	1.85	2.28	2.79	3.39	-	-
65	-	-	-	1.52	1.89	2.32	2.82	-	-
70	-	-	-	1.24	1.55	1.91	2.33	-	-

Nominal performance at to = 5 °C, tc = 50 °C

Cooling capacity	21 730	W
Power input	6 712	W
Current consumption	14.00	A
Mass flow	564	kg/h
C.O.P.	3.24	

Pressure switch settings

Maximum HP switch setting	20.5	bar(g)
Minimum LP switch setting	0.2	bar(g)
LP pump down setting	0.5	bar(g)

Sound power data

Sound power level	0	dB(A)
With acoustic hood	0	dB(A)

to: Evaporating temperature at dew point

tc: Condensing temperature at dew point

Rating conditions : Superheat = 10 K , Subcooling = 0 K

All performance data +/- 5%

Danfoss can accept no responsibility for possible errors in catalogues, brochures and other printed material. Danfoss reserves the right to alter its products without notice. This also applies to products already on order provided that such alternations can be made without subsequential changes being necessary in specifications already agreed. All trademarks in this material are property of the respective companies. Danfoss, the Danfoss logotype and Performer are trademarks of Danfoss A/S. All rights reserved.

Performance data at 60 Hz, ARI rating conditions

R134a

Cond. temp. in °C (tc)	Evaporating temperature in °C (to)							
	-15	-10	-5	0	5	10	15	

Cooling capacity in W

35	11 545	14 633	18 285	22 560	27 519	33 222	39 727	-	-
40	10 885	13 878	17 413	21 549	26 347	31 866	38 165	-	-
45	10 203	13 087	16 491	20 474	25 096	30 417	36 497	-	-
50	9 501	12 263	15 522	19 338	23 771	28 880	34 725	-	-
55	-	11 409	14 509	18 144	22 373	27 256	32 854	-	-
60	-	-	13 454	16 894	20 905	25 549	30 884	-	-
65	-	-	-	15 591	19 371	23 761	28 820	-	-
70	-	-	-	14 239	17 774	21 896	26 665	-	-

Power input in W

35	4 808	4 878	4 934	4 974	4 991	4 981	4 940	-	-
40	5 302	5 374	5 433	5 476	5 497	5 492	5 456	-	-
45	5 860	5 935	5 997	6 044	6 069	6 069	6 038	-	-
50	6 488	6 566	6 632	6 682	6 712	6 717	6 693	-	-
55	-	7 273	7 343	7 398	7 432	7 443	7 424	-	-
60	-	-	8 136	8 195	8 235	8 251	8 239	-	-
65	-	-	-	9 080	9 126	9 149	9 143	-	-
70	-	-	-	10 059	10 111	10 140	10 141	-	-

Current consumption in A

35	11.26	11.36	11.43	11.47	11.48	11.44	11.35	-	-
40	11.95	12.05	12.13	12.18	12.20	12.17	12.09	-	-
45	12.75	12.86	12.95	13.01	13.03	13.02	12.95	-	-
50	13.69	13.80	13.90	13.97	14.00	14.00	13.95	-	-
55	-	14.89	14.99	15.07	15.12	15.13	15.09	-	-
60	-	-	16.24	16.33	16.39	16.42	16.39	-	-
65	-	-	-	17.76	17.84	17.88	17.87	-	-
70	-	-	-	19.38	19.47	19.52	19.53	-	-

Mass flow in kg/h

35	257	319	391	473	567	673	792	-	-
40	253	316	389	472	566	673	792	-	-
45	249	313	386	469	564	671	791	-	-
50	244	308	382	466	561	668	788	-	-
55	-	303	377	461	556	663	783	-	-
60	-	-	371	455	550	657	777	-	-
65	-	-	-	448	542	649	769	-	-
70	-	-	-	439	533	640	759	-	-

Coefficient of performance (C.O.P.)

35	2.40	3.00	3.71	4.54	5.51	6.67	8.04	-	-
40	2.05	2.58	3.20	3.94	4.79	5.80	6.99	-	-
45	1.74	2.21	2.75	3.39	4.14	5.01	6.04	-	-
50	1.46	1.87	2.34	2.89	3.54	4.30	5.19	-	-
55	-	1.57	1.98	2.45	3.01	3.66	4.43	-	-
60	-	-	1.65	2.06	2.54	3.10	3.75	-	-
65	-	-	-	1.72	2.12	2.60	3.15	-	-
70	-	-	-	1.42	1.76	2.16	2.63	-	-

Nominal performance at to = 7.2 °C, tc = 54.4 °C

Cooling capacity	24 621	W
Power input	7 349	W
Current consumption	14.99	A
Mass flow	602	kg/h
C.O.P.	3.35	

Pressure switch settings

Maximum HP switch setting	20.5	bar(g)
Minimum LP switch setting	0.2	bar(g)
LP pump down setting	0.5	bar(g)

Sound power data

Sound power level	0	dB(A)
With acoustic hood	0	dB(A)

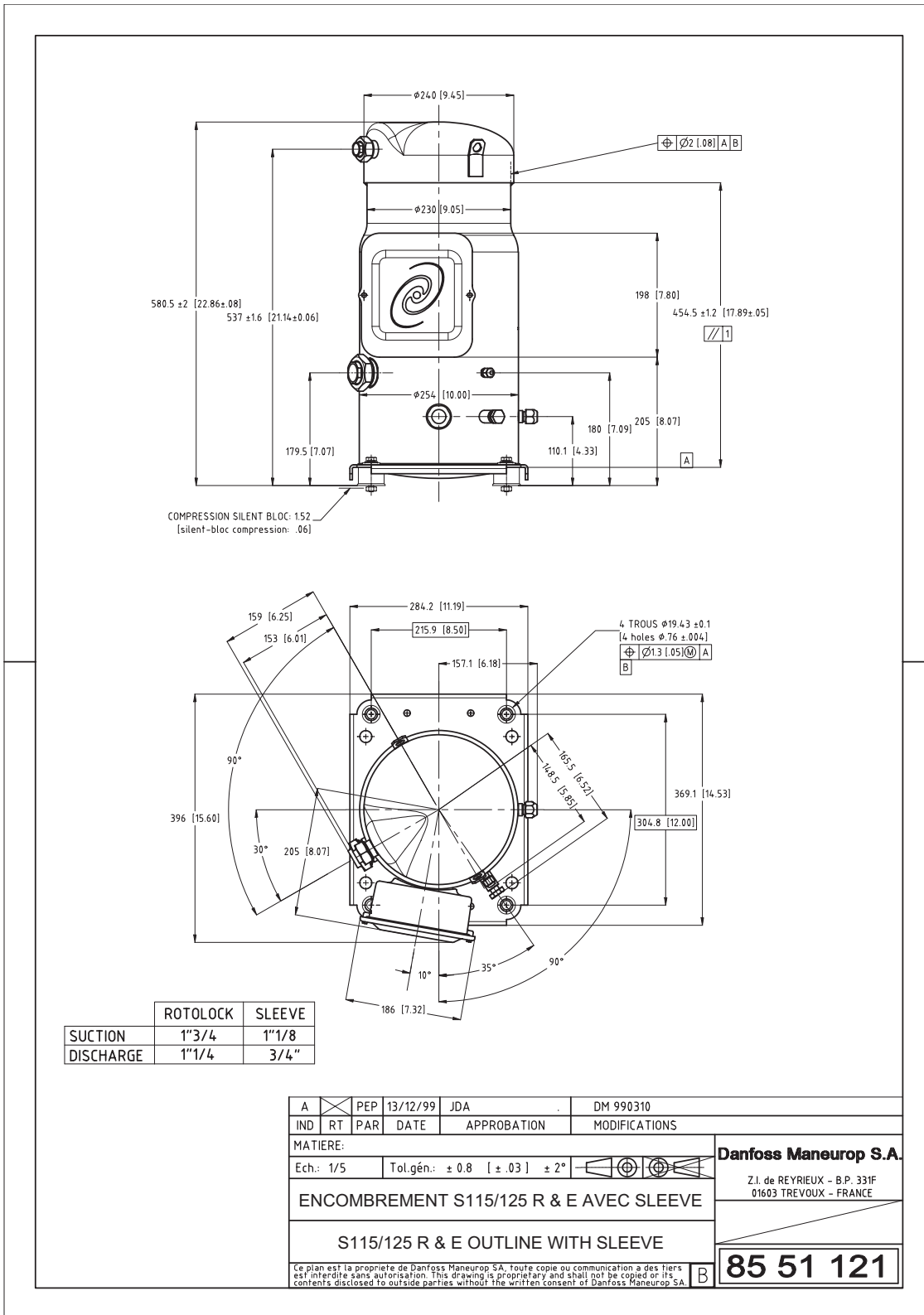
to: Evaporating temperature at dew point

tc: Condensing temperature at dew point

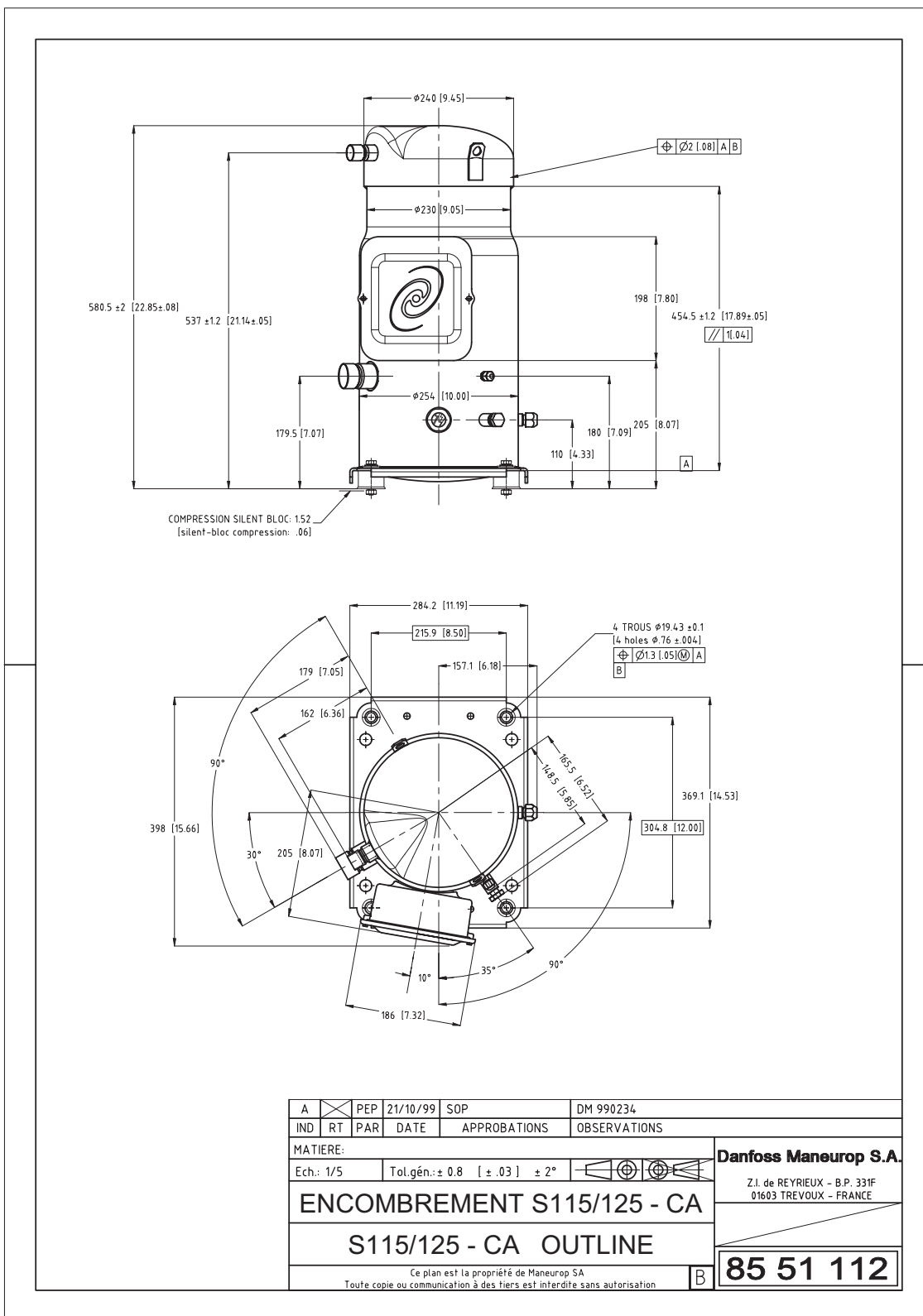
Rating conditions : Superheat = 11.1 K , Subcooling = 8.3 K

All performance data +/- 5%

Danfoss can accept no responsibility for possible errors in catalogues, brochures and other printed material. Danfoss reserves the right to alter its products without notice. This also applies to products already on order provided that such alternations can be made without subsequential changes being necessary in specifications already agreed. All trademarks in this material are property of the respective companies. Danfoss, the Danfoss logotype and Performer are trademarks of Danfoss A/S. All rights reserved.



Danfoss can accept no responsibility for possible errors in catalogues, brochures and other printed material. Danfoss reserves the right to alter its products without notice. This also applies to products already on order provided that such alternations can be made without consequential changes being necessary in specifications already agreed. All trademarks in this material are property of the respective companies. Danfoss, the Danfoss logotype and Performer are trademarks of Danfoss A/S. All rights reserved.



Danfoss can accept no responsibility for possible errors in catalogues, brochures and other printed material. Danfoss reserves the right to alter its products without notice. This also applies to products already on order provided that such alternations can be made without subsequential changes being necessary in specifications already agreed. All trademarks in this material are property of the respective companies. Danfoss, the Danfoss logotype and Performer are trademarks of Danfoss A/S. All rights reserved.