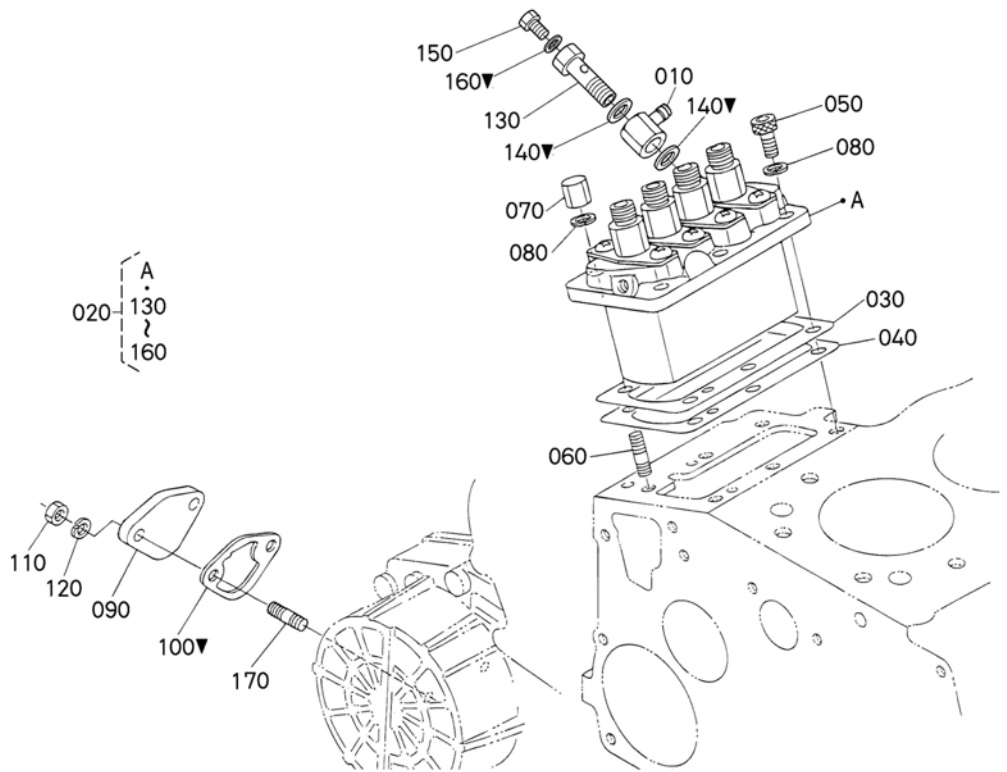


# CT4-91TV

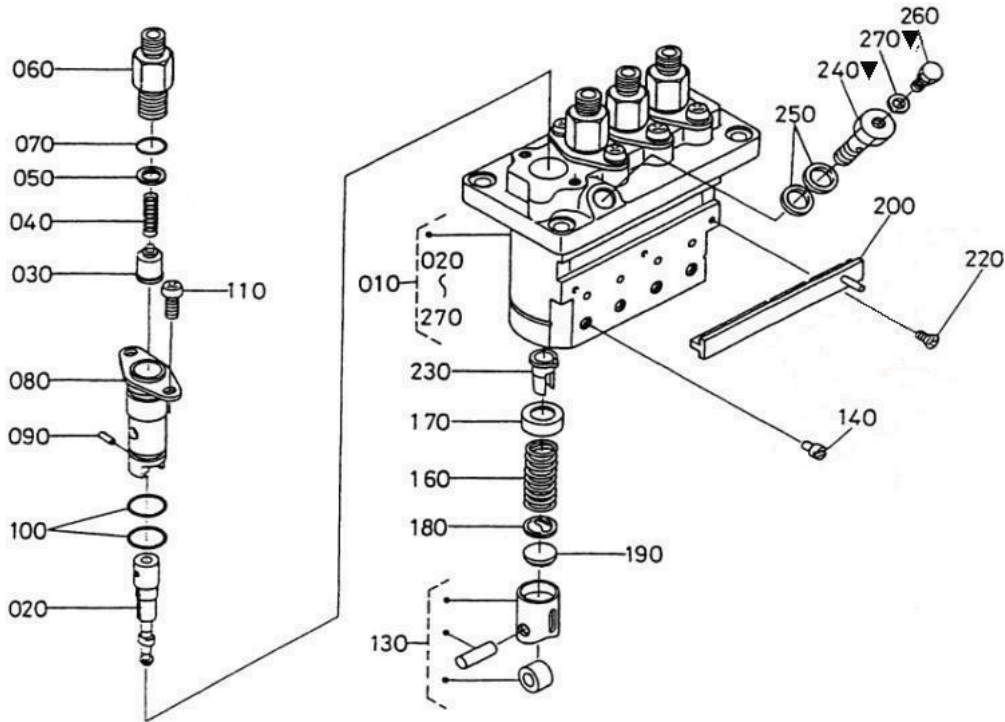
## 16-INJECTION PUMP



ITEM	PART N°	DESCRIPTION	QTY.
010	944215	JOINT, EYE	1
020	945658	INJECTION PUMP ASSEMBLY	1
030	945659	SHIM, INJECTION PUMP (+0.20mm)	1
030	945660	SHIM, INJECTION PUMP (+0.25mm)	1
040	25-15243-00	SHIM, INJECTION PUMP (+0.30mm)	1
050	941478	BOLT, SOCKET HEAD (M6 x 20 MM LG) GRADE 7	3
060	944212	STUD (M6) GRADE 7	3
070	944213	NUT, CAP (M6)	3
080	29-70067-00	WASHER, LOCK (M6)	6
090	944232	COVER, FUEL PUMP	1
100	944233	GASKET, FUEL PUMP ▼	1
110	941417	NUT, HEX (M6)	2
120	29-70067-00	WASHER, LOCK (M6) / WASHER, SPRING	2
130	944360	SCREW, HOLLOW	1
140	944361	GASKET ▼	2
150	29-70044-00	SCREW	1
160	29-70045-00	GASKET ▼	1
170	943660	STUD	2

# CT4-91TV

## 17-INJECTION PUMP (COMPONENTS PARTS)



ITEM	PART N°	DESCRIPTION	QTY.
010	945658	ASSEMBLY PUMP INJECTION - INCLUDES:	1
020	945662	PLUNGER, PUMP	4
030	944351	VALVE, DELIVERY	4
040	29-70030-00	SPRING, DELIV. VALVE	4
050	944352	GASKET, DELIV. VALVE	4
060	29-70209-00	HOLDER, DELIV. VALVE	4
070	944353	O-RING	4
080	945663	FLANGE, SLEEVE	4
090	29-70032-00	PIN, JOINT	4
100	945664	O-RING	8
110	29-70033-00	SCREW	8
130	945665	ASSY TAPPET	4
140	29-70035-00	PIN, TAPPET GUIDE	4
160	944354	SPRING, PLUNGER	4
170	29-70037-00	SEAT, SPRING UPPER	4
180	29-70038-00	SEAT, SPRING LOWER	4
190	29-70039-00	SHIM	4
200	945666	RACK, CONTROL (Before Engine S/N : N489915)	1
200	94556601	RACK, CONTROL (After Engine S/N : N489915)	1
220	29-70042-00	SCREW, CSK-HD	5
230	944356	SLEEVE, CONTROL	4
240	944360	SCREW, FOLLOW	1
250	944361	GASKET ▼	2
260	29-70044-00	SCREW, AIR BREEDER	1
270	25-70045-00	GASKET ▼	1