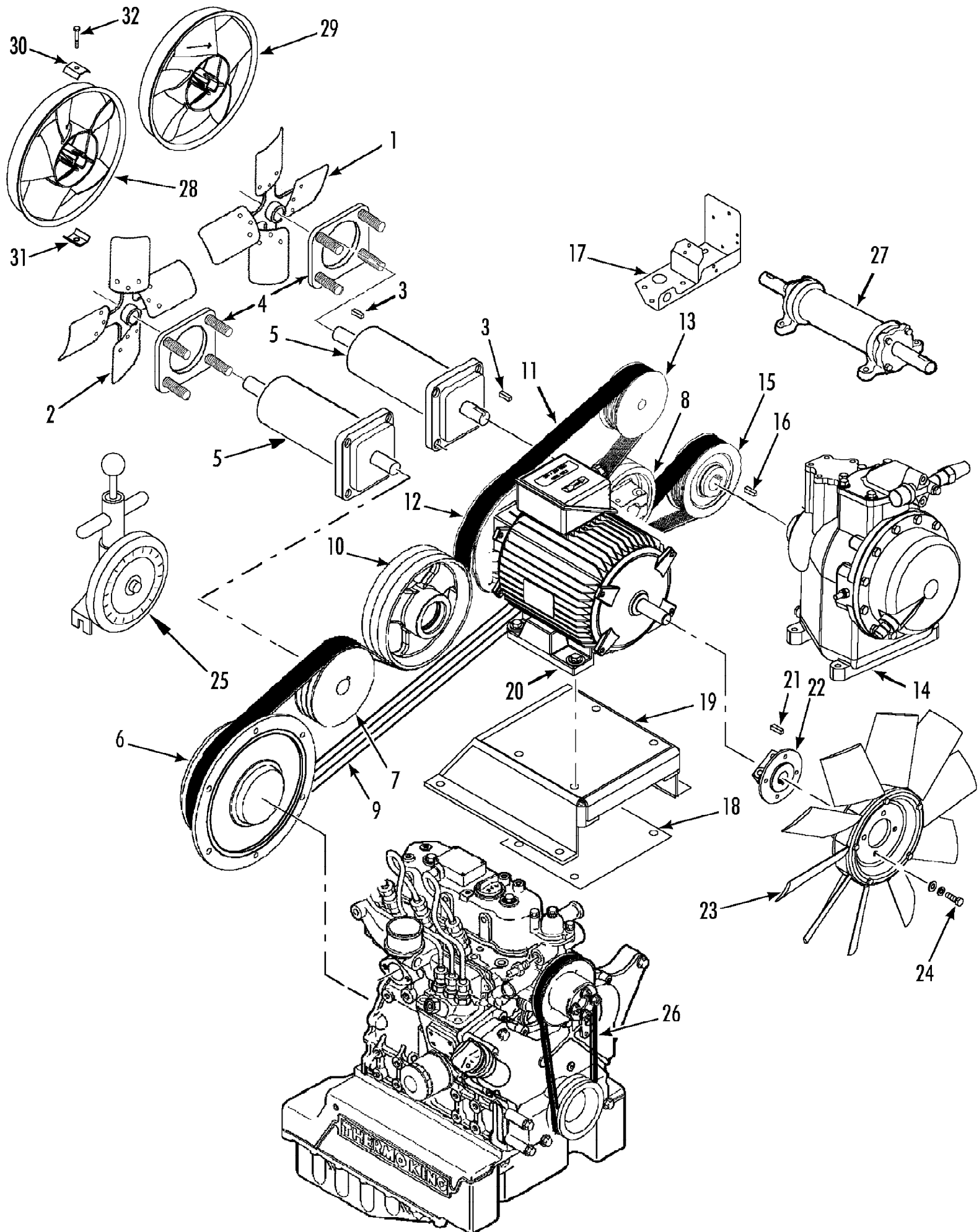




[Grid - 151G12]

[Assy - BELTS, PULLEYS & FAN GROUP]





[Grid - 151G12] [Assy - BELTS, PULLEYS & FAN GROUP]

| REF # | PART NUMBER | Quantity | Description |
|-------|-------------|----------|--|
| 1 | 78-1119 | 1 | FAN - evaporator (compressor side, metal, see item 29) |
| 2 | 78-1120 | 1 | FAN - evaporator (engine side, metal, see item 28) |
| 3 | 55-457 | 4 | KEY - woodruff |
| 4 | 99-3261 | 2 | BOLTPLATE - fanshaft |
| 5 | 78-1066 | 1 | FANSHAFT (see 144B1) |
| | 55-4955 | 4 | NUT - fanshaft |
| | 55-2641 | 4 | FLATWASHER |
| 6 | 107-291 | 1 | CLUTCH (see 132D14) |
| | 55-5022 | 6 | SCREW - clutch |
| 7 | 77-2451 | 1 | PULLEY - evaporator fan (3-3V) |
| 8 | 77-2452 | 1 | PULLEY - evaporator fan (backside) |
| | 55-6011 | 4 | SCREW - pulley |
| | 55-2959 | 4 | LOCKWASHER |
| 9 | 78-1351 | 1 | BELT (3-3V) |
| 10 | 70-200 | 1 | PULLEY - idler (see 149G10, see note) |
| 11 | 78-1129 | 1 | BELT - poly (VK8) |
| 12 | 77-2532 | 1 | PULLEY - motor |
| | 77-2579 | 1 | PULLEY - jackshaft |
| | 55-790 | 2 | LOCKWASHER |
| 13 | 77-2710 | 1 | PULLEY - alternator |
| | 91-7970 | 1 | BUSHING - alternator |
| 14 | 102-801 | 1 | COMPRESSOR - scroll (see 152G1) |
| 15 | 78-1094 | 1 | PULLEY - compressor (TS-200) |
| | 77-2533 | 1 | PULLEY - compressor (TS-300) |
| 16 | 55-5371 | 1 | KEY - woodruff |
| 17 | 92-1924 | 1 | BRACKET - compressor |
| | 55-2969 | 5 | SCREW - bracket |
| | 55-8423 | 3 | WASHER - belleville |
| | 55-2958 | 4 | FLATWASHER |
| | 55-4954 | 2 | NUT |
| 18 | 91-4783 | 1 | NUTPLATE - motor |
| | 55-3035 | 2 | RIVET - plate |
| 19 | 92-3015 | 1 | BRACKET - motor |
| | 55-129 | 4 | SCREW - bracket |
| | 55-2641 | 8 | FLATWASHER |
| | 55-8658 | 4 | NUT (hex) |
| 20 | 104-667 | 1 | MOTOR (5/6hp, TS-200) |
| | 104-715 | 1 | MOTOR (6/7hp, TS-300) |
| | 99-9084 | 1 | NAMEPLATE - arrow |
| | 55-2961 | 4 | SCREW - motor |
| | 55-7144 | 4 | LOCKWASHER |
| | 55-7122 | 4 | FLATWASHER |
| 21 | 55-2048 | 1 | KEY - square |
| 22 | 77-1699 | 1 | HUB - fan |
| | 55-6220 | 2 | SCREW - hub |
| | 55-2959 | 2 | LOCKWASHER |
| | 55-2958 | 2 | FLATWASHER |
| 23 | 78-1214 | 1 | FAN - condenser |
| 24 | 55-2963 | 4 | SCREW - fan |
| | 55-2959 | 4 | LOCKWASHER |
| 25 | 204-427 | 1 | GAUGE - belt tension |



[Grid - 151G12Page 2

| REF # | Part Number | Quantity | Description |
|-------|-------------|----------|---|
| 26 | 78-1012 | 1 | BELT - water pump |
| 27 | 77-2580 | 1 | JACKSHAFT (TS-200/300 30, see 156A1) |
| 28 | 78-1308 | 1 | FAN - evaporator (nylon, cw) |
| 29 | 78-1305 | 1 | FAN - evaporator (nylon, ccw) |
| 30 | 77-1464 | 2 | CLIP - hub |
| 31 | 77-1522 | 2 | CLIP - hub (w/ nut) |
| 32 | 55-3675 | 2 | SCREW - fan |
| | 55-1800 | 2 | LOCKWASHER |
| | 55-2086 | 2 | FLATWASHER |