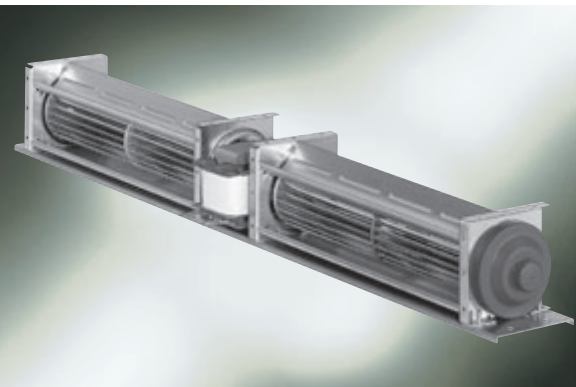


Tangential blowers

QL 4 with double housing

- smallest product line, impeller diameter 40 mm
- airflow direction of 180° possible
- horizontal mounting position
- permissible ambient temperature 0 - 60°C
- insulation class B, class F or H on request

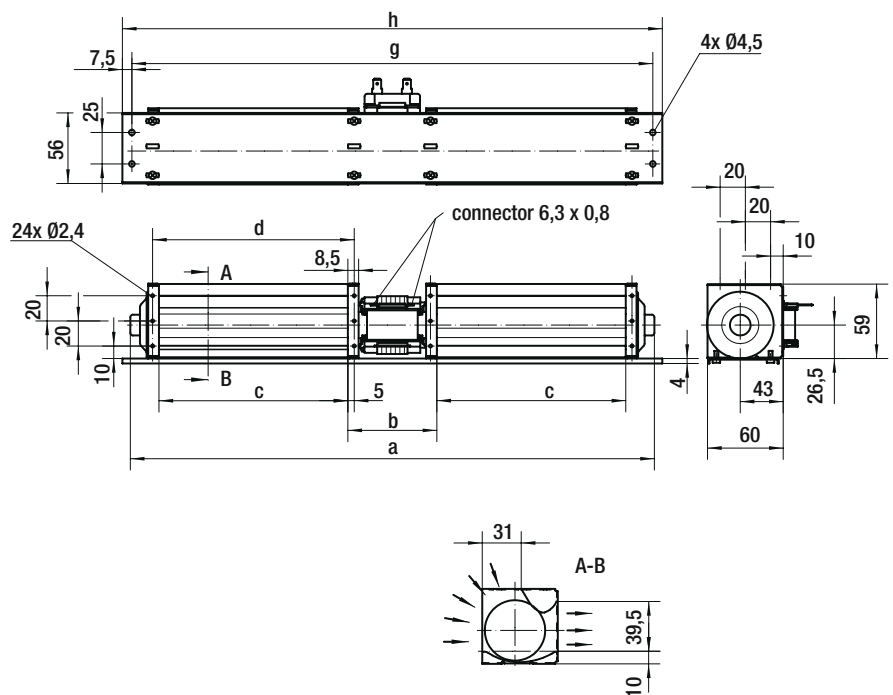
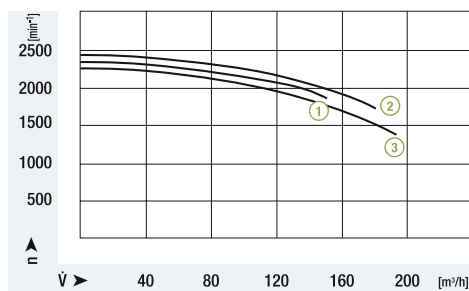
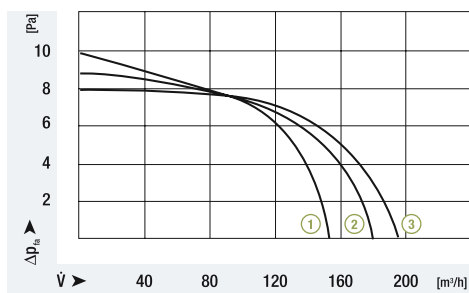


ebm-papst • Landshut

Nominal data	characteristic curve	rated voltage	frequency	air flow	max. pressure increase	power input	rated current	speed	weight	Dimensions mm					
										type	V	Hz	m ³ /h	Pa	W
QL4/2020-2124	①	230	50	155	10	16	130	1900	1,2	522	72	200	210	515	530
QL4/2525-2124	②	230	50	180	9	16	135	1700	1,3	622	72	250	260	615	630
QL4/3030-2124	③	230	50	190	8	17	140	1500	1,4	722	72	300	310	715	730

Technical data valid at free air flow and rated voltage; bold print = standard type; subject to alterations

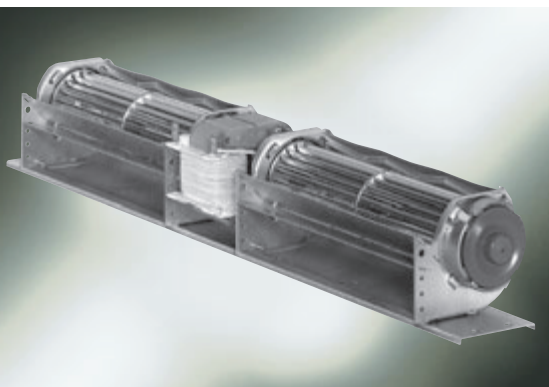
Characteristic curves



Tangential blowers

QLK 45 with double housing

- compact product line, impeller diameter 45 mm
- horizontal mounting position
- permissible ambient temperature 0 - 60°C
- insulation class B, class F or H on request

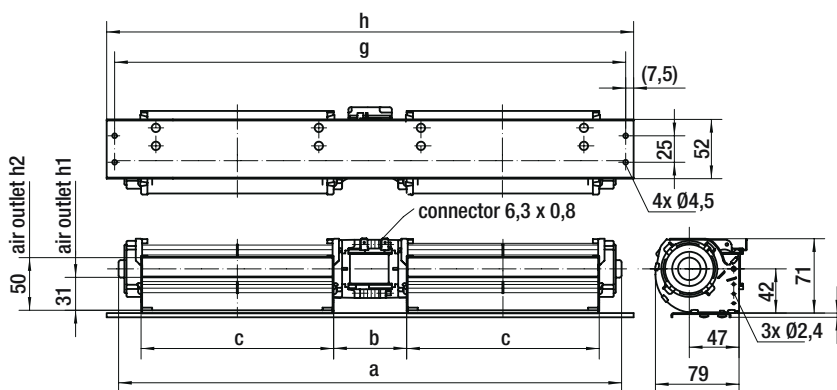
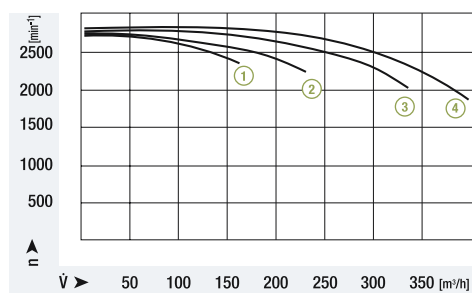
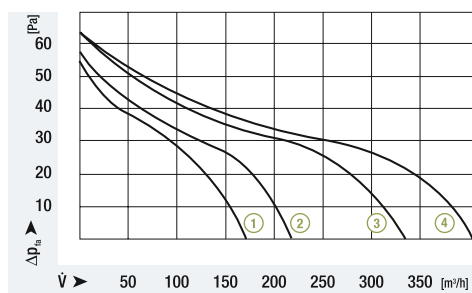


ebm-papst • Landshut

Nominal data	characteristic curve	rated voltage	frequency	air flow	max. pressure increase	power input	rated current	speed	weight	Dimensions mm				
										V	Hz	m ³ /h	Pa	W
QLK45/1212-3030	①	230	50	160	55	29	250	2300	1,85	372	81	122	375	390
QLK45/1818-3030	②	230	50	220	59	32	265	2200	2,15	492	81	182	495	510
QLK45/2424-3038	③	230	50	330	64	46	385	2000	2,40	620	89	242	620	635
QLK45/3030-3038	④	230	50	400	64	48	390	1700	2,60	740	89	302	740	755

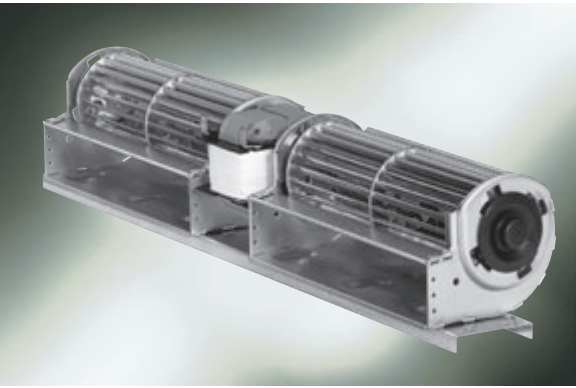
Technical data valid at free air flow and rated voltage; bold print = standard type; subject to alterations

Characteristic curves



Tangential blowers

QLZ 06 with double housing



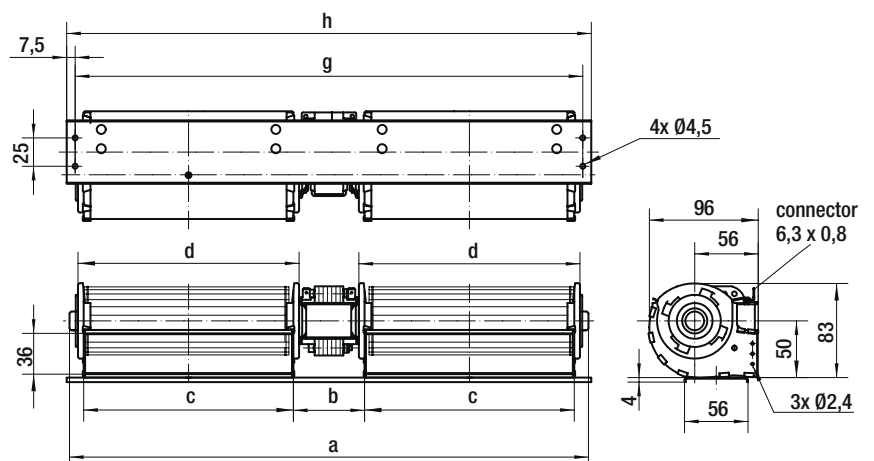
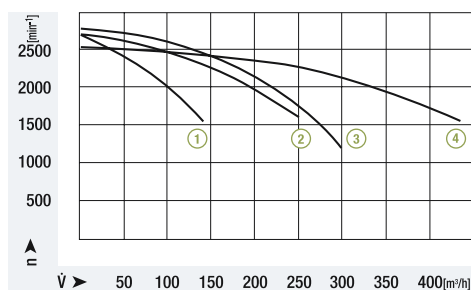
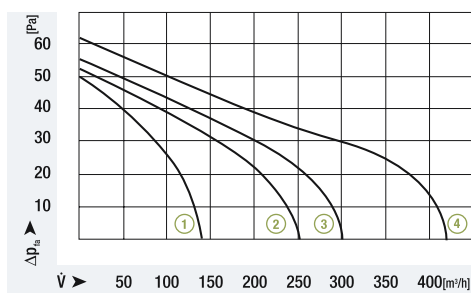
- standard product line, impeller diameter 60 mm
- horizontal mounting position
- permissible ambient temperature 0 - 60°C
- insulation class B, class F or H on request

ebm-papst • Landshut

Nominal data	characteristic curve	rated voltage	frequency	air flow	max. pressure increase	power input	rated current	speed	weight	Dimensions mm					
										V	Hz	m ³ /h	Pa	W	mA
QLZ06/1212-3020L	①	230	50	140	50	26	210	1500	1,55	340	58	125	135	-	-
QLZ06/1818-3030L	②	230	50	250	52	45	400	1550	2,00	468	69	183	196	455	470
QLZ06/2424-3038L	③	230	50	300	55	45	350	1150	2,30	591	76	243	253	579	594
QLZ06/3030-3045L	④	230	50	420	62	65	550	1500	2,75	720	83	303	313	705	720

Technical data valid at free air flow and rated voltage; bold print = standard type; subject to alterations

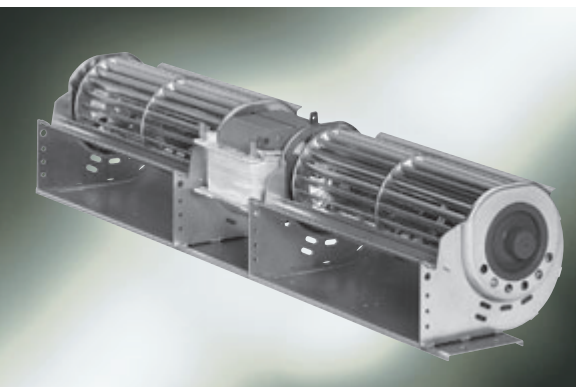
Characteristic curves



Tangential blowers

QLN 65 with double housing

- high efficiency product line, impeller diameter 65 mm
- horizontal mounting position
- permissible ambient temperature 0 - 60°C
- insulation class B, class F or H on request



ebm-papst • Landshut

Nominal data	characteristic curve	rated voltage	frequency	air flow	max. pressure increase	power input	rated current	speed	weight	Dimensions mm					
										type	V	Hz	m ³ /h	Pa	W
QLN65/1212-3030L	①	230	50	270	85	54	460	1900	1,7	352	76	122	139	-	-
QLN65/1818-3045L	②	230	50	295	66	51	420	1250	2,4	480	84	182	199	463	478
QLN65/2424-3045L	③	230	50	320	65	55	480	1050	2,6	600	84	242	259	583	598
QLN65/3030-3045L	④	230	50	410	62	72	560	1225	2,8	728	92	302	319	706	721

Technical data valid at free air flow and rated voltage; bold print = standard type; subject to alterations

Characteristic curves

