

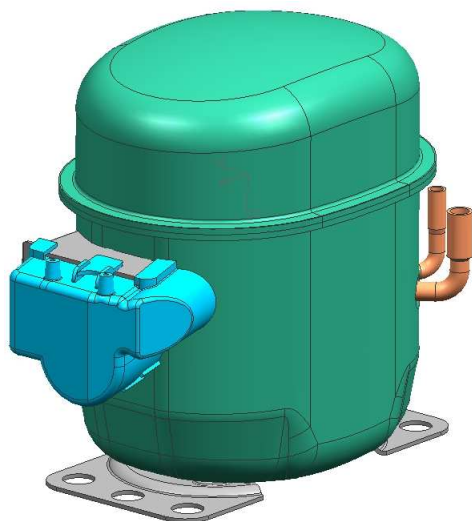


Новый модельный ряд АЕ²

Current AE



New AE²

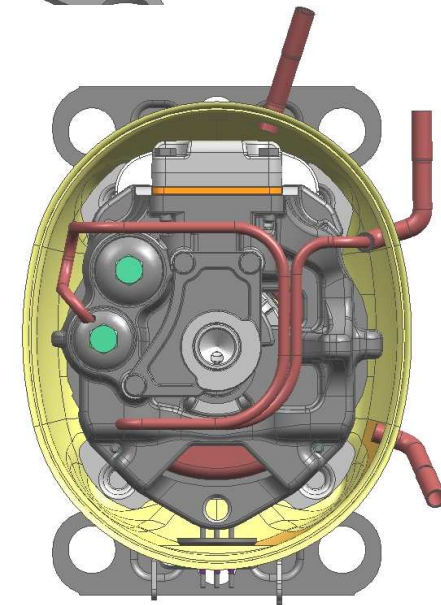
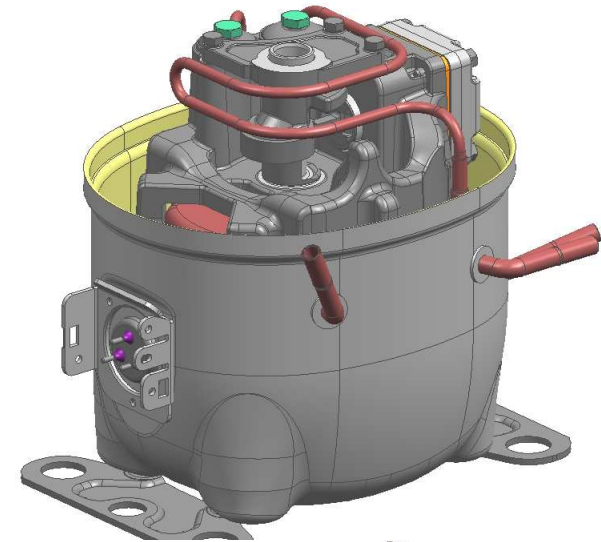
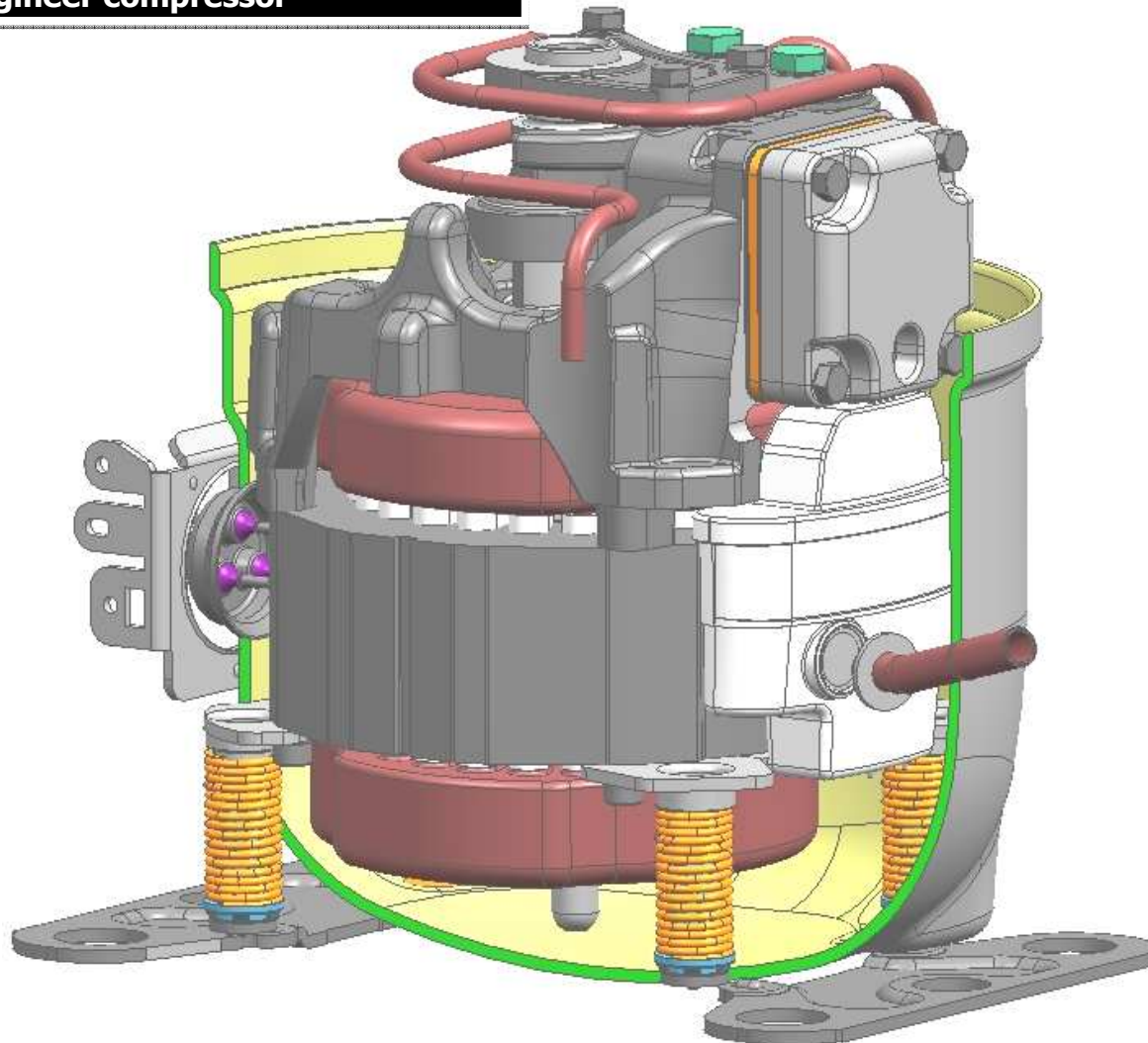


2011 – Производства в Бразилии

2012 – Производство во Франции

- ✓ Лучшая эффективность
- ✓ R290, R600a, R134a, R404A
- ✓ Препятствие межосевые расстояния
- ✓ Меньшие размеры
- ✓ Удобный доступ к электрокомпонентам
- ✓ Удобное расположение патрубков
- ✓ Оптимизированное использование масла
- ✓ Меньшие вибрации
- ✓ Расширение модельного ряда

Full Product Optimization
All Compressor functions revisited
Re-engineer compressor



Модель:

AE4440U-XX3Z

Индекс модификации
А В С итд

Типоразмер

X, Y and/or Z =
Специальное
исполнение

- 0 9- CBP (reutilize in the future)
- 1 2- LBP
- 3 4- HBP
- 5 – AC
- L – AC (Super-tropical)
- M - AC (Tropical)
- N – LBP (Super-Tropical)
- P – LBP (Tropical)
- R – HBP (Super-Tropical)
- S – HBP (Tropical)
- 8 -

Область
применения
LBP/HBP

Номинальная
холодопроизвод.
в Вт/ч при 60Гц

Код напряжения

Рабочий конденсатор

Хладагент

- 1 Без рабочего конденсатора
- 2 Возможность использования рабочего конденсатора
- 3 С рабочим конденсатором
- 4 Для AC с пусковым и рабочим конденсаторами



Модельный ряд



| R290 | | R134a | | R404A | | R600a |
|----------|----------|----------|----------|----------|----------|----------|
| HBP | LBP | HBP | LBP | HBP | LBP | LBP |
| AE 3425U | AE 1415U | AE 3425Y | AE 1390Y | AE 3425Z | AE 1410Z | - |
| AE 4425U | AE 2415U | AE 4425Y | AE 2390Y | AE 4425Z | AE 2410Z | - |
| AE 3430U | AE 1420U | AE 3430Y | AE 1410Y | AE 3430Z | AE 1415Z | - |
| AE 4430U | AE 2420U | AE 4430Y | AE 2410Y | AE 4430Z | AE 2415Z | - |
| AE 3440U | AE 1425U | AE 3440Y | AE 1413Y | AE 3440Z | AE 1420Z | AE 1380M |
| AE 4440U | AE 2425U | AE 4440Y | AE 2413Y | AE 4440Z | AE 2420Z | AE 2380M |
| AE 3450U | | AE 4450Y | AE 1415Y | AE 3450Z | AE 2425Z | AE 1390M |
| AE 4450U | | AE 4456Y | AE 2415Y | AE 4450Z | | AE 2390M |
| AE 4460U | | | | AE 4460Z | | |
| | | | | AE 4470Z | | |

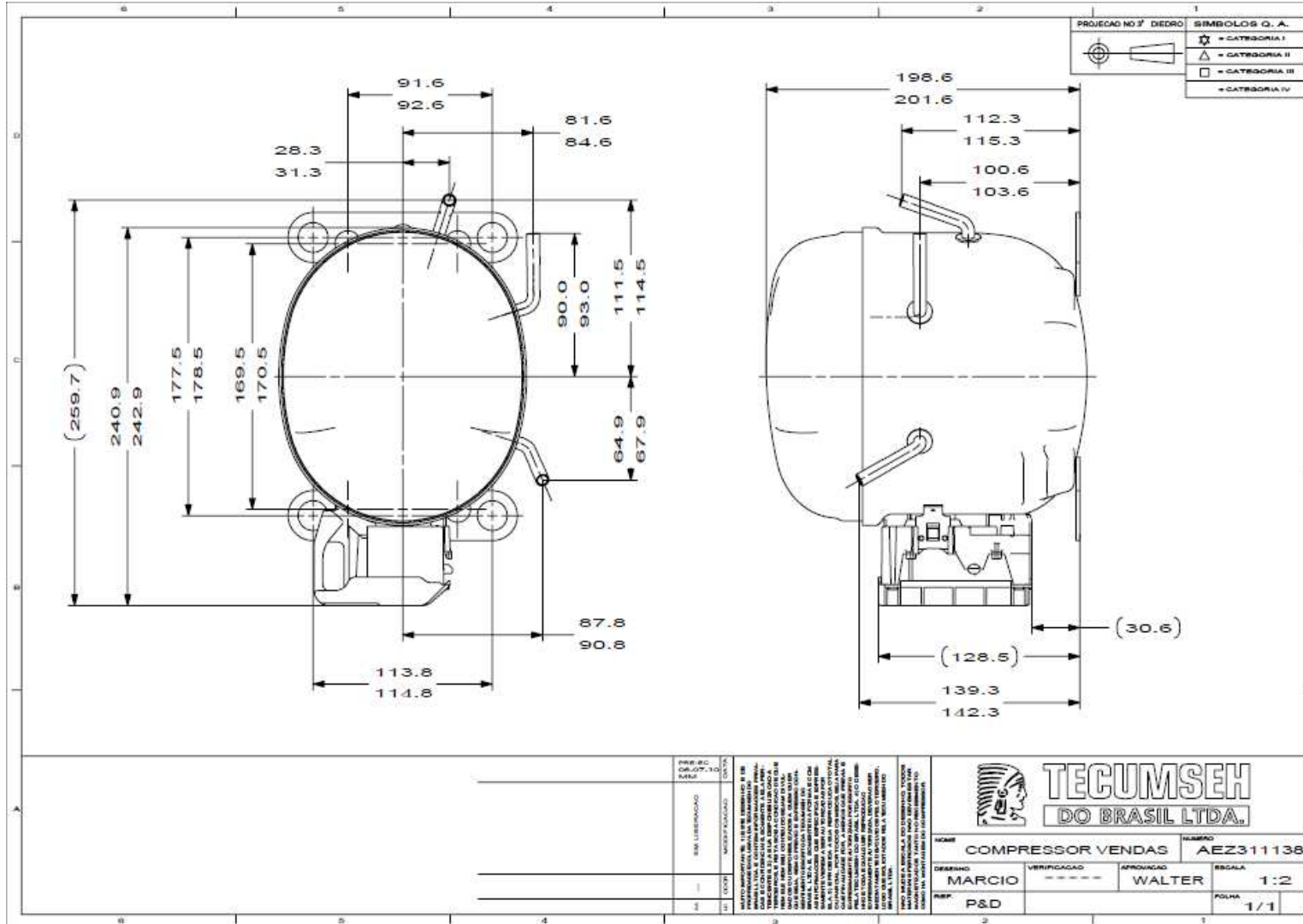
Note: R600a available in 2012



Таблица аналогов к текущему модельному ряду АЕ АЕ



| Current compressor | new AE | Current compressor | new AE |
|-----------------------|-----------------|-----------------------|-----------------|
| HBP 134a | | HBP 404A | |
| AEZ3425Y | AE 3425Y | AEZ3425Z | AE 3425Z |
| AEZ4425Y | AE 4425Y | AEZ4425Z | AE 4425Z |
| AEZ3430Y | AE 3430Y | AEZ3430Z | AE 3430Z |
| AEZ4430Y | AE 4430Y | AEZ4430Z | AE 4430Z |
| AE3440Y | AE 3440Y | AEZ3440Z | AE 3440Z |
| CAE4440Y | AE 4440Y | AEZ4440Z | AE 4440Z |
| CAE4450Y | AE 4450Y | AE3450Z | AE 3450Z |
| CAE4456Y | AE 4460Y | CAE4450Z/CAI | AE 4450Z |
| | | CAE4460Z/CAI | AE 4460Z |
| | | CAE9470Z | AE 4470Z |
| LBP 134a | | LBP R404A | |
| AEZ1380Y | AE 1390Y | AEZ1411Z | AE 1410Z |
| AEZ2380Y | AE 2390Y | AEZ2411Z | AE 2410Z |
| AE1410Y | AE 1410Y | AEZ1415Z | AE 1415Z |
| CAE2410Y | AE 2410Y | AEZ2415Z/CAE | AE 2415Z |
| AE1412Y | AE 1413Y | AE1420Z | AE 1420Z |
| CAE2412Y | AE 2413Y | CAE2420Z | AE 2420Z |
| | AE 1415Y | CAE2424Z | AE 2425Z |
| CAE2414Y | AE 2415Y | | |



| R290 (Propane) | | | | | Test Conditions | | | | | | | | | | | | |
|--------------------------------------|------------|---------------|----------|------------------------------|-------------------------------------|--------|------|------------------|---------|------|------------------------------------|------------------|------|--------|------------------|------|-----|
| Oil Type: POE 22, Oil Volume: 280 ml | | | | | ASHRAE 46 | | | | | | | | | | | | |
| Model Number | Motor Type | Voltage Range | Freq. Hz | Displacement CM ³ | CBP Evaporating Temp. 20°F (-6.7°C) | | | | | | HBP Evaporating Temp. 45°F (7.2°C) | | | | | | |
| | | | | | Cooling Capacity | | | Efficiency (EER) | | | COP | Cooling Capacity | | | Efficiency (EER) | | COP |
| | | | | | Btu/h | kcal/h | W | Btu/Wh | kcal/Wh | W/W | Btu/h | kcal/h | W | Btu/Wh | kcal/Wh | W/W | |
| AE4440U-AA1A | CSIR | 115 | 60 | 8.02 | 2700 | 680 | 791 | 6.45 | 1.62 | 1.89 | 4520 | 1138 | 1324 | 9.26 | 2.33 | 2.71 | |
| AE4440U-AA3A | CSR | 115 | 60 | 8.02 | 2700 | 680 | 791 | 6.97 | 1.75 | 2.04 | 4520 | 1138 | 1324 | 10.00 | 2.52 | 2.93 | |
| AE4460U-AA1C | CSIR | 115 | 60 | 12.07 | 4170 | 1050 | 1222 | 6.40 | 1.61 | 1.87 | 6830 | 1719 | 2001 | 8.81 | 2.22 | 2.58 | |
| AE4460U-AA3C | CSR | 115 | 60 | 12.07 | 4170 | 1050 | 1222 | 6.91 | 1.74 | 2.02 | 6830 | 1719 | 2001 | 9.51 | 2.39 | 2.79 | |
| AE4460U-FZ1C | CSIR | 220-240 | 50 | 12.07 | 3410 | 858 | 999 | 6.39 | 1.61 | 1.87 | 5580 | 1404 | 1635 | 8.86 | 2.23 | 2.59 | |
| AE4460U-FZ3C | CSR | 220-240 | 50 | 12.07 | 3410 | 858 | 999 | 6.90 | 1.74 | 2.02 | 5580 | 1404 | 1635 | 9.57 | 2.41 | 2.80 | |
| AE4425U-FZ1A* | CSIR | 220-240 | 50 | 5.02 | 1350 | 340 | 396 | 6.20 | 1.56 | 1.82 | 2250 | 566 | 659 | 8.90 | 2.24 | 2.61 | |
| AE4425U-FZ3A* | CSR | 220-240 | 50 | 5.02 | 1350 | 340 | 396 | 6.70 | 1.68 | 1.96 | 2250 | 566 | 659 | 9.61 | 2.42 | 2.81 | |
| AE4440U-FZ1A | CSIR | 220-240 | 50 | 8.02 | 2150 | 541 | 630 | 6.13 | 1.54 | 1.80 | 3610 | 909 | 1058 | 8.85 | 2.23 | 2.59 | |
| AE4440U-FZ3A | CSR | 220-240 | 50 | 8.02 | 2150 | 541 | 630 | 6.62 | 1.67 | 1.94 | 3610 | 909 | 1058 | 9.56 | 2.40 | 2.80 | |
| R134a | | | | | | | | | | | | | | | | | |
| Oil Type: POE 22, Oil Volume: 280 ml | | | | | | | | | | | | | | | | | |
| AE4430Y-AA1A | CSIR | 115 | 60 | 8.02 | 1870 | 471 | 548 | 5.70 | 1.43 | 1.67 | 3400 | 856 | 996 | 8.23 | 2.07 | 2.41 | |
| AE4430Y-AA3A | CSR | 115 | 60 | 8.02 | 1870 | 471 | 548 | 6.10 | 1.53 | 1.79 | 3400 | 856 | 996 | 8.81 | 2.21 | 2.58 | |
| AE4440Y-AA1A | CSIR | 115 | 60 | 10.38 | 2430 | 612 | 712 | 5.86 | 1.47 | 1.72 | 4360 | 1097 | 1277 | 8.00 | 2.01 | 2.34 | |
| AE4440Y-AA3A | CSR | 115 | 60 | 10.38 | 2430 | 612 | 712 | 6.27 | 1.58 | 1.84 | 4360 | 1097 | 1277 | 8.56 | 2.15 | 2.51 | |
| AE3425Y-AA1A | RSIR | 115 | 60 | 6.69 | 1500 | 378 | 440 | 5.79 | 1.46 | 1.70 | 2800 | 705 | 820 | 8.30 | 2.09 | 2.43 | |
| AE3425Y-AA3A | RSIR | 115 | 60 | 6.69 | 1500 | 378 | 440 | 6.20 | 1.56 | 1.81 | 2800 | 705 | 820 | 8.88 | 2.23 | 2.60 | |
| AE4430Y-FZ1A | CSIR | 220-240 | 50 | 8.02 | 1570 | 395 | 460 | 6.30 | 1.58 | 1.84 | 2800 | 705 | 820 | 8.40 | 2.11 | 2.46 | |
| AE4430Y-FZ3A | CSR | 220-240 | 50 | 8.02 | 1570 | 395 | 460 | 6.74 | 1.70 | 1.97 | 2800 | 705 | 820 | 8.99 | 2.26 | 2.63 | |
| AE4440Y-FZ1A | CSIR | 220-240 | 50 | 10.38 | 2050 | 516 | 601 | 5.76 | 1.45 | 1.69 | 3650 | 919 | 1069 | 8.15 | 2.05 | 2.39 | |
| AE4440Y-FZ3A | CSR | 220-240 | 50 | 10.38 | 2050 | 516 | 601 | 6.16 | 1.55 | 1.80 | 3650 | 919 | 1069 | 8.72 | 2.19 | 2.55 | |
| AE4440Y-FS1A* | CSIR | 220 | 50 | 10.38 | 2050 | 516 | 601 | 5.51 | 1.39 | 1.61 | 3650 | 919 | 1069 | 7.80 | 1.96 | 2.28 | |
| AE4440Y-FS1A* | CSR | 220 | 50 | 10.38 | 2050 | 516 | 601 | 5.90 | 1.48 | 1.73 | 3650 | 919 | 1069 | 8.35 | 2.10 | 2.44 | |

* Model under development

R404A models under development



Технические характеристики



| R290 (Propane) | | | | | | | | | | |
|--------------------------------------|------------|---------------|----------|------------------------------|---------------------------------|--------|--------|------------------|---------|------|
| Oil Type: POE 22, Oil Volume: 280 ml | | | | | Test Conditions | | | | | |
| | | | | | ASHRAE 32 | | | | | |
| | | | | | LBP Evap. Temp. -10°F (-23.3°C) | | | | | |
| Model Number | Motor Type | Voltage Range | Freq. Hz | Displacement CM ³ | Cooling Capacity | | | Efficiency (EER) | | COP |
| | | | | | Btu/h | kcal/h | W | Btu/Wh | kcal/Wh | W/W |
| AE2420U-FZ1B | CSIR | 220-240 | 50 | 11.02 | 1730 | 435.10 | 505.16 | 4.7 | 1.18 | 1.38 |
| AE2415U-FZ1A* | CSIR | 220-240 | 50 | 8.85 | 1350 | 339.53 | 394.20 | 4.9 | 1.23 | 1.43 |
| AE2415U-FZ3A* | SCR | 220-240 | 50 | 8.85 | 1350 | 339.53 | 394.20 | 5.194 | 1.31 | 1.52 |

* Model under development

R404A models under development



Таблица аналогов



| Capacity* | AE ² | Embraco | Danfoss | Cubigel |
|-----------|-----------------|-----------|---------|----------|
| HBP134a | AE 3425Y | | | |
| 700W | AE 4425Y | NEK6160Z | NL7,3MF | |
| 800W | AE 3430Y | | | |
| | AE 4430Y | NEK6170Z | NL8,4MF | GLY80RAb |
| | AE 3440Y | EMT 6170Z | | |
| 1000W | AE 4440Y | NEK6187Z | NL11MF | GPY12RAb |
| | AE 4450Y | NEK6210Z | | |
| | AE 4460Y | NEK6212Z | SC15GH | GPY14RAb |
| 1500W | | NEK6214Z | | |

| Capacity* | AE ² | Embraco | Danfoss |
|-----------|-----------------|----------|---------|
| LBP134a | | | |
| 250W | AE 1390Y | | |
| | AE 2390Y | NEK2121Z | NL10FT |
| | AE 1410Y | | |
| | AE 2410Y | NEK3130Z | SC15FT |
| 350W | AE 1413Y | | |
| | AE 2413Y | NE2134Z | |
| | AE 1415Y | | |
| | AE 2415Y | NEK2140Z | |
| 450W | | | |



Таблица аналогов



| Capacity* | AE ² | Embraco | Danfoss |
|-----------|----------------------------------|------------------------|---------|
| HBP404A | | | |
| 700W | AE 3425Z AE 4425Z AE 3430Z | NEK6144GK | |
| 1000W | AE 4430Z AE 3440Z AE 4440Z | NEK6165GK NEK6181GK | NL7MLX |
| 1300W | AE 3450Z AE 4450Z | NEK6210GK | |
| 1700W | AE 4460Z | NEK6213GK | |
| 200W | AE 4470Z | NEK6217GK | |

| Capacity* | AE ² | Embraco | Danfoss |
|-----------|----------------------------------|------------------------|---------|
| LBP404A | | | |
| 250W | AE 1410Z AE 2410Z AE 1415Z | | NL7CLX |
| 400W | AE 2415Z AE 1420Z | NEK2125GK NEK2130GK | SC10CLX |
| 700W | AE 2420Z AE 2425Z | NEK2134GK NEK2168GK | |



Таблица аналогов



| Capacity* | AE ² | Embraco | Danfoss |
|-----------|--|----------------------|---------|
| HBP R290 | | | |
| 600W | AE 3425U AE 4425U AE 3430U AE 4430U | NEK6152U | |
| 800W | AE 3440U AE 4440U | NEK6165U | |
| 900W | AE 3450U AE 4450U AE 4460U | NEK6181U NEK6210U | |
| 1200W | | | |

| Capacity* | AE ² | Embraco | Danfoss |
|-----------|----------------------------------|----------|---------|
| LBP R290 | | NEK2117U | |
| 200W | AE 1415U AE 2415U AE 1420U | NEK2125U | SC10CNX |
| 450W | AE 2420U AE 1425U | NEK2134U | SC12CNX |
| 600W | AE 2425U | NEK2150U | |
| 700W | | | SC12CNX |

*EN12900