

Vantis SGX / AGX. XXX A8 / A8L



1	Dimensioned drawings	C1.2/6.0511
1.1	Vantis AG3 / SG3 A8	C1.2/6.0511
1.2	Vantis AG3 / SG3 A8 L	C1.2/6.0511
1.3	Vantis AG4 / SG4 A8	C1.2/6.0512
1.4	Vantis AG3 / SG3 A8 L	C1.2/6.0512
2	Space requirement and fixing dimension	C1.2/6.0513
3	Technical data	C1.2/6.0514
4	Setting values	C1.2/6.0515
4.1	Defrost	C1.2/6.0515
4.2	Conventional control Setpoint values (on sensor)	C1.2/6.0515
4.3	Electronic control Setpoint values (on sensor)	C1.2/6.0515

5	Temperature control	C1.2/6.0521
5.1	Electronically controlled refrigeration	C1.2/6.0521
5.1.1	Air intake sensor R2	C1.2/6.0521
5.1.1.1	Parts list, Air intake sensor	C1.2/6.0521
5.1.2	Return air sensor R4	C1.2/6.0522
5.1.2.1	Parts list, Return air sensor	C1.2/6.0522
5.1.3	Evaporator sensor R1	C1.2/6.0523
5.1.3.1	Parts list, Evaporator sensor	C1.2/6.0523
5.1.4	Safety thermostat F14	C1.2/6.0524
5.1.5	Delay thermostat	C1.2/6.0524
5.1.5.1	Switching values of safety and delay thermostat	C1.2/6.0524
5.1.6	UA 300 control	C1.2/6.0525
5.1.6.1	Installation diagram for electrical pack UA 300 / UA 131 with defrost heating	C1.2/6.0525
5.1.6.2	Electrical pack, parts list UA 300 / UA 131 with defrost heating	C1.2/6.0526
5.1.6.3	Dip switch setting UA300 / UA131 with defrost heating	C1.2/6.0526
5.1.6.4	Installation diagram for electrical pack UA 300 / UA 131DD with discharge gas defrost	C1.2/6.0527
5.1.6.5	Electrical pack, parts list UA 300 / UA 131 with discharge gas defrost	C1.2/6.0528
5.1.6.6	Dip switch setting UA300 / UA131DD with discharge gas defrost	C1.2/6.0528
5.1.6.7	Installation diagram of electrical accessory for external control	C1.2/6.0529
5.1.6.8	Electrical accessory parts list external control	C1.2/6.0530
5.2	Conventionally controlled refrigeration	C1.2/6.0531
5.2.1	Air intake sensor N1	C1.2/6.0531
5.2.2	Defrost sensor N3	C1.2/6.0531
5.2.3	Safety thermostat F14	C1.2/6.0531
5.2.4	Control thermostat N1	C1.2/6.0532
5.2.5	Defrost thermostat N3	C1.2/6.0532
5.2.5.1	Parts list, Control thermostat and defrost thermostat	C1.2/6.0532
5.2.6	Installation diagram, electrical pack for thermostatic control with defrost heating	C1.2/6.0533
5.2.6.1	Electrical pack, parts list for thermostatic control with defrost heating	C1.2/6.0534
5.3	Danfoss controlled cooling	C1.2/6.0535
6	Heaters	C1.2/6.0536
6.1	Defrost heaters	C1.2/6.0536
6.1.1	Evaporator	C1.2/6.0536
6.1.1.1	Defrost heater 1	C1.2/6.0536
6.1.1.2	Defrost heater 2	C1.2/6.0536
6.1.1.3	Defrost heater 3	C1.2/6.0536
6.1.1.4	Defrost heater 4	C1.2/6.0536
6.1.2	Air inlet	C1.2/6.0536
6.1.2.1	Defrost heater Air inlet	C1.2/6.0536
6.1.3	Evaporator fan plate	C1.2/6.0537
6.1.3.1	Defrost heater 1Evaporator fan plate	C1.2/6.0537
6.1.3.2	Defrost heater 2Evaporator fan plate	C1.2/6.0537

6.2	Permanent heaters	C1.2/6.0537
6.2.1	On insulated glazing and door frame	C1.2/6.0537
6.2.1.1	Insulating glass heating vapour-deposited	C1.2/6.0537
6.2.1.2	Insulating glass heating vapour-deposited	C1.2/6.0537
6.2.1.3	Door frame heating	C1.2/6.0537
6.2.1.4	Insulating glass heating vapour-deposited	C1.2/6.0537
6.2.1.5	Insulating glass heating vapour-deposited	C1.2/6.0537
6.2.1.6	Door frame heating	C1.2/6.0537
6.2.2	At the carcass frame	C1.2/6.0538
6.2.2.1	Frame heating 1	C1.2/6.0538
6.2.2.2	Frame heating 2	C1.2/6.0538
6.2.3	Discharge heater (only A8)	C1.2/6.0539
6.2.4	End wall	C1.2/6.0539
6.2.4.1	Heater strip 1	C1.2/6.0539
6.2.4.2	Heater strip 2	C1.2/6.0539
6.2.4.3	Heater strip 3	C1.2/6.0539
6.2.5	Partition wall Vantis-Vantis	C1.2/6.0540
6.2.5.1	Heater strip 1, 2x	C1.2/6.0540
6.2.5.2	Heater strip 2, 2x	C1.2/6.0540
6.2.6	Thermopane glass end wall	C1.2/6.0541
6.2.7	Thermopane glass front	C1.2/6.0542
6.2.8	Intermediate bottom	C1.2/6.0543
6.2.8.1	Heater strip 1	C1.2/6.0543
6.2.8.2	Heater strip 2	C1.2/6.0543
6.3	Heating outputs	C1.2/6.0544
7	Temperature check	C1.2/6.0545
7.1	Thermometer top	C1.2/6.0545
7.2	Thermometer chest section	C1.2/6.0545
8	Installations	C1.2/6.0546
8.1	Expansion valves	C1.2/6.0546
8.1.1	Conventional	C1.2/6.0546
8.1.1.1	Conventional evaporator	C1.2/6.0546
8.1.1.2	Discharge gas evaporator	C1.2/6.0546
8.1.2	Electric	C1.2/6.0547
8.2	Evaporator tube pointed upwards	C1.2/6.0548
8.2.1	with conventional expansion valve	C1.2/6.0548
8.2.2	with electrical e-valve	C1.2/6.0549
8.2.3	without electrical e-valve	C1.2/6.0550
8.3	Lighting	C1.2/6.0551
8.3.1	Intermediate bottom	C1.2/6.0551
8.3.1.1	Parts list, Lighting intermediate bottom	C1.2/6.0551
8.3.2	Auxiliary lighting right end wall	C1.2/6.0552
8.3.2.1	Parts list, Auxiliary lighting right end wall	C1.2/6.0552
8.3.3	Auxiliary lighting external head	C1.2/6.0553
8.3.3.1	Schematic diagram of the wiring 188	C1.2/6.0554
8.3.3.2	Schematic diagram of the wiring 375	C1.2/6.0555
8.3.3.3	Schematic diagram of the wiring 250	C1.2/6.0555
8.3.3.4	Parts list auxiliary lighting external head	C1.2/6.0555
8.3.4	Light switch	C1.2/6.0556

8.4	Electric pack and electric installation	C1.2/6.0556
8.4.1	Safety information	C1.2/6.0556
8.4.2	Fuse	C1.2/6.0556
8.4.3	Terminal box	C1.2/6.0556
8.4.4	Main printed circuit board A24	C1.2/6.0557
8.4.4.1	Function	C1.2/6.0557
8.4.4.2	Pin assignments	C1.2/6.0557
8.4.4.3	Pin assignments	C1.2/6.0557
8.4.5	Dew point controller A15	C1.2/6.0558
8.4.5.1	Function	C1.2/6.0558
8.4.5.2	Type	C1.2/6.0558
8.4.5.3	Pin assignments	C1.2/6.0558
8.4.5.4	Switch	C1.2/6.0558
8.4.5.5	Display	C1.2/6.0558
8.5	Refrigerant pipes	C1.2/6.0559
8.6	Outlet combination (siphon)	C1.2/6.0559
8.7	End walls	C1.2/6.0571
8.7.1	Rectangle	C1.2/6.0571
8.7.2	Parts list, End wall rectangle	C1.2/6.0572
8.7.3	Partial glassed	C1.2/6.0573
8.7.4	Parts list, End wall partial glassed	C1.2/6.0575
8.8	Partition walls	C1.2/6.0576
8.8.1	Rectangle Vantis / Vantis	C1.2/6.0576
8.8.2	Shaped Vantis / Vantis	C1.2/6.0577
8.8.2.1	Parts list, Partition wall	C1.2/6.0578
8.8.3	Rectangle Vantis / Multidecks	C1.2/6.0579
8.8.3.1	Parts list, Partition wall	C1.2/6.0580
8.8.4	Rectangle Vantis / Velando	C1.2/6.0581
8.8.4.1	Parts list, Partition wall	C1.2/6.0582
8.8.5	for installing Vantis / Multidecks back to back with head unit Vantis CE A8 (cabinet part: Vantis CE A8 / chest part: Vantis CE A8)	C1.2/6.0583
8.8.5.1	Parts list, Partition wall	C1.2/6.0584
8.8.6	for installing Vantis / Vantis back to back with head unit Vantis CE A0 (cabinet part: Vantis CE A0 / chest part: Vantis CE)	C1.2/6.0585
8.8.6.1	Parts list, Partition wall	C1.2/6.0586
8.8.7	for installing Vantis / Multidecks back to back with head unit Vantis CE A0 (cabinet part: Vantis CE A0 / chest part: Ivando CE)	C1.2/6.0587
8.8.7.1	Parts list, Partition wall	C1.2/6.0588
8.9	Cover for installing Vantis back to back	C1.2/6.0589
8.9.1	Parts list, Cover	C1.2/6.0589
8.10	Gap closing trim	C1.2/6.0590
8.10.1	Parts list, Gap closing trim	C1.2/6.0590

8.11	Multiplex kit	C1.2/6.0591
8.11.1	Parts list, Multiplex	C1.2/6.0593
8.12	Thermopane glass AG4	C1.2/6.0594
8.13	Thermopane glass SG3, SG4	C1.2/6.0595
8.13.1	Parts list, Thermopane glass	C1.2/6.0596
8.14	Handrail with lighting	C1.2/6.0597
8.14.1	Connection diagram handrail with lighting	C1.2/6.0598
8.14.1.1	Parts list, Handrail with lighting	C1.2/6.0598
8.14.2	Cover cabinet joint for handrail with lighting	C1.2/6.0599
8.14.2.1	Parts list, Cover	C1.2/6.0599
8.15	Front panel	C1.2/6.0600
8.15.1	Parts list, Front panel	C1.2/6.0600
8.16	Base rail	C1.2/6.0601
8.16.1	Parts list, Base rail	C1.2/6.0602
8.17	Distance holder	C1.2/6.0602
8.18	Sight screen ceiling	C1.2/6.0603
8.18.1	Parts list, Sight screen ceiling	C1.2/6.0603
8.19	Around-corner assembly	C1.2/6.0604
8.19.1	Parts list, Around-corner assembly	C1.2/6.0604
8.20	Doors	C1.2/6.0605
8.20.1	Dismounting doors	C1.2/6.0605
8.20.1.1	Remove securing ring	C1.2/6.0605
8.20.1.2	Disconnect electrical connection door	C1.2/6.0605
8.20.1.3	Lift door	C1.2/6.0605
8.20.2	Retighten door spring	C1.2/6.0606
8.20.3	Change revolving pin	C1.2/6.0606
9	Configuration of cabinet line-ups	C1.2/6.0621
10	Electrical data	C1.2/6.0621
10.1	Basic cabinet	C1.2/6.0621
10.1.1	Vantis SG 3	C1.2/6.0622
10.1.1.1	Basic values	C1.2/6.0622
10.1.1.2	Σ -power with lighting	C1.2/6.0622
10.1.1.3	Σ -power with discgarge gas defrost	C1.2/6.0622
10.1.1.4	Σ -power lighting	C1.2/6.0623
10.1.1.5	Σ -power without lighting	C1.2/6.0623
10.1.1.6	Σ -power without lighting and discgarge gas defrost	C1.2/6.0623

10.1.2	Vantis SG 3 with external lighting	C1.2/6.0624
10.1.2.1	Basic values	C1.2/6.0624
10.1.2.2	Σ -power with lighting	C1.2/6.0624
10.1.2.3	Σ -power with discgarge gas defrost	C1.2/6.0624
10.1.2.4	Σ -power lighting	C1.2/6.0625
10.1.2.5	Σ -power without lighting	C1.2/6.0625
10.1.2.6	Σ -power without lighting and discgarge gas defrost	C1.2/6.0625
10.1.3	Vantis SG 3 with hand rail lighting	C1.2/6.0626
10.1.3.1	Basic values	C1.2/6.0626
10.1.3.2	Σ -power with lighting	C1.2/6.0626
10.1.3.3	Σ -power with discgarge gas defrost	C1.2/6.0626
10.1.3.4	Σ -power lighting	C1.2/6.0627
10.1.3.5	Σ -power without lighting	C1.2/6.0627
10.1.3.6	Σ -power without lighting and discgarge gas defrost	C1.2/6.0627
10.1.4	Vantis SG 3 with hand rail lighting and external lighting	C1.2/6.0628
10.1.4.1	Basic values	C1.2/6.0628
10.1.4.2	Σ -power with lighting	C1.2/6.0628
10.1.4.3	Σ -power with discgarge gas defrost	C1.2/6.0628
10.1.4.4	Σ -power lighting	C1.2/6.0629
10.1.4.5	Σ -power without lighting	C1.2/6.0629
10.1.4.6	Σ -power without lighting and discgarge gas defrost	C1.2/6.0629
10.1.5	Vantis SG 3 L	C1.2/6.0630
10.1.5.1	Basic values	C1.2/6.0630
10.1.5.2	Σ -power with lighting	C1.2/6.0630
10.1.5.3	Σ -power with discgarge gas defrost	C1.2/6.0630
10.1.5.4	Σ -power lighting	C1.2/6.0631
10.1.5.5	Σ -power without lighting	C1.2/6.0631
10.1.5.6	Σ -power without lighting and discgarge gas defrost	C1.2/6.0631
10.1.6	Vantis SG 3 L with external lighting	C1.2/6.0632
10.1.6.1	Basic values	C1.2/6.0632
10.1.6.2	Σ -power with lighting	C1.2/6.0632
10.1.6.3	Σ -power with discgarge gas defrost	C1.2/6.0632
10.1.6.4	Σ -power lighting	C1.2/6.0633
10.1.6.5	Σ -power without lighting	C1.2/6.0633
10.1.6.6	Σ -power without lighting and discgarge gas defrost	C1.2/6.0633
10.1.7	Vantis SG 3 L with hand rail lighting	C1.2/6.0634
10.1.7.1	Basic values	C1.2/6.0634
10.1.7.2	Σ -power with lighting	C1.2/6.0634
10.1.7.3	Σ -power with discgarge gas defrost	C1.2/6.0634
10.1.7.4	Σ -power lighting	C1.2/6.0635
10.1.7.5	Σ -power without lighting	C1.2/6.0635
10.1.7.6	Σ -power without lighting and discgarge gas defrost	C1.2/6.0635

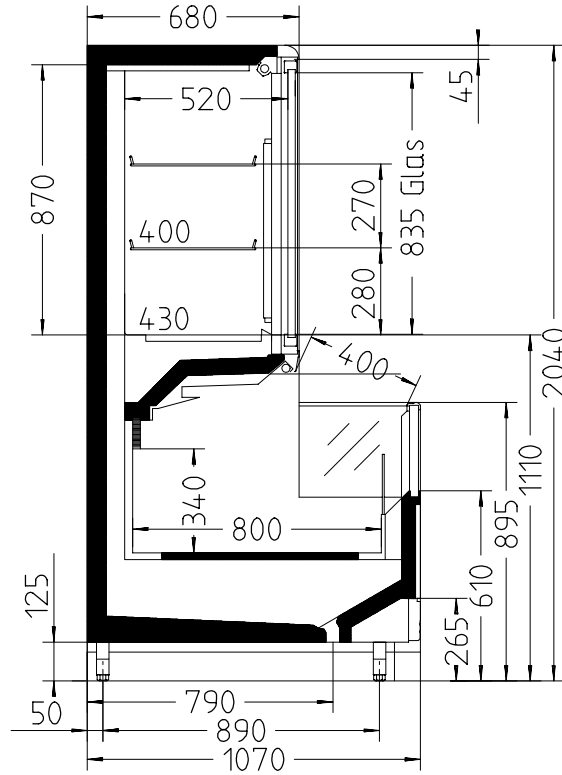
10.1.8	Vantis SG 3 L with hand rail lighting and external lighting	C1.2/6.0636
10.1.8.1	Basic values	C1.2/6.0636
10.1.8.2	Σ -power with lighting	C1.2/6.0636
10.1.8.3	Σ -power with discgarge gas defrost	C1.2/6.0636
10.1.8.4	Σ -power lighting	C1.2/6.0637
10.1.8.5	Σ -power without lighting	C1.2/6.0637
10.1.8.6	Σ -power without lighting and discgarge gas defrost	C1.2/6.0637
10.1.9	Vantis SG 4	C1.2/6.0638
10.1.9.1	Basic values	C1.2/6.0638
10.1.9.2	Σ -power with lighting	C1.2/6.0638
10.1.9.3	Σ -power with discgarge gas defrost	C1.2/6.0638
10.1.9.4	Σ -power lighting	C1.2/6.0639
10.1.9.5	Σ -power without lighting	C1.2/6.0639
10.1.9.6	Σ -power without lighting and discgarge gas defrost	C1.2/6.0639
10.1.10	Vantis SG 4 with external lighting	C1.2/6.0640
10.1.10.1	Basic values	C1.2/6.0640
10.1.10.2	Σ -power with lighting	C1.2/6.0640
10.1.10.3	Σ -power with discgarge gas defrost	C1.2/6.0640
10.1.10.4	Σ -power lighting	C1.2/6.0641
10.1.10.5	Σ -power without lighting	C1.2/6.0641
10.1.10.6	Σ -power without lighting and discgarge gas defrost	C1.2/6.0641
10.1.11	Vantis SG 4 with hand rail lighting	C1.2/6.0642
10.1.11.1	Basic values	C1.2/6.0642
10.1.11.2	Σ -power with lighting	C1.2/6.0642
10.1.11.3	Σ -power with discgarge gas defrost	C1.2/6.0642
10.1.11.4	Σ -power lighting	C1.2/6.0643
10.1.11.5	Σ -power without lighting	C1.2/6.0643
10.1.11.6	Σ -power without lighting and discgarge gas defrost	C1.2/6.0643
10.1.12	Vantis SG 4 with hand rail lighting and external lighting	C1.2/6.0644
10.1.12.1	Basic values	C1.2/6.0644
10.1.12.2	Σ -power with lighting	C1.2/6.0644
10.1.12.3	Σ -power with discgarge gas defrost	C1.2/6.0644
10.1.12.4	Σ -power lighting	C1.2/6.0645
10.1.12.5	Σ -power without lighting	C1.2/6.0645
10.1.12.6	Σ -power without lighting and discgarge gas defrost	C1.2/6.0645
10.1.13	Vantis SG 4 L	C1.2/6.0646
10.1.13.1	Basic values	C1.2/6.0646
10.1.13.2	Σ -power with lighting	C1.2/6.0646
10.1.13.3	Σ -power with discgarge gas defrost	C1.2/6.0646
10.1.13.4	Σ -power lighting	C1.2/6.0647
10.1.13.5	Σ -power without lighting	C1.2/6.0647
10.1.13.6	Σ -power without lighting and discgarge gas defrost	C1.2/6.0647

10.1.14	Vantis SG 4 L with external lighting	C1.2/6.0648
10.1.14.1	Basic values	C1.2/6.0648
10.1.14.2	Σ -power with lighting	C1.2/6.0648
10.1.14.3	Σ -power with discgarge gas defrost	C1.2/6.0648
10.1.14.4	Σ -power lighting	C1.2/6.0649
10.1.14.5	Σ -power without lighting	C1.2/6.0649
10.1.14.6	Σ -power without lighting and discgarge gas defrost	C1.2/6.0649
10.1.15	Vantis SG 4 L with hand rail lighting	C1.2/6.0650
10.1.15.1	Basic values	C1.2/6.0650
10.1.15.2	Σ -power with lighting	C1.2/6.0650
10.1.15.3	Σ -power with discgarge gas defrost	C1.2/6.0650
10.1.15.4	Σ -power lighting	C1.2/6.0651
10.1.15.5	Σ -power without lighting	C1.2/6.0651
10.1.15.6	Σ -power without lighting and discgarge gas defrost	C1.2/6.0651
10.1.16	Vantis SG 4 L with hand rail lighting and external lighting	C1.2/6.0652
10.1.16.1	Basic values	C1.2/6.0652
10.1.16.2	Σ -power with lighting	C1.2/6.0652
10.1.16.3	Σ -power with discgarge gas defrost	C1.2/6.0652
10.1.16.4	Σ -power lighting	C1.2/6.0653
10.1.16.5	Σ -power without lighting	C1.2/6.0653
10.1.16.6	Σ -power without lighting and discgarge gas defrost	C1.2/6.0653
10.1.17	Vantis AG 4	C1.2/6.0654
10.1.17.1	Basic values	C1.2/6.0654
10.1.17.2	Σ -power with lighting	C1.2/6.0654
10.1.17.3	Σ -power with discgarge gas defrost	C1.2/6.0654
10.1.17.4	Σ -power lighting	C1.2/6.0655
10.1.17.5	Σ -power without lighting	C1.2/6.0655
10.1.17.6	Σ -power without lighting and discgarge gas defrost	C1.2/6.0655
10.1.18	Vantis AG 4 with external lighting	C1.2/6.0656
10.1.18.1	Basic values	C1.2/6.0656
10.1.18.2	Σ -power with lighting	C1.2/6.0656
10.1.18.3	Σ -power with discgarge gas defrost	C1.2/6.0656
10.1.18.4	Σ -power lighting	C1.2/6.0657
10.1.18.5	Σ -power without lighting	C1.2/6.0657
10.1.18.6	Σ -power without lighting and discgarge gas defrost	C1.2/6.0657
10.1.19	Vantis AG 4 with hand rail lighting	C1.2/6.0658
10.1.19.1	Basic values	C1.2/6.0658
10.1.19.2	Σ -power with lighting	C1.2/6.0658
10.1.19.3	Σ -power with discgarge gas defrost	C1.2/6.0658
10.1.19.4	Σ -power lighting	C1.2/6.0659
10.1.19.5	Σ -power without lighting	C1.2/6.0659
10.1.19.6	Σ -power without lighting and discgarge gas defrost	C1.2/6.0659

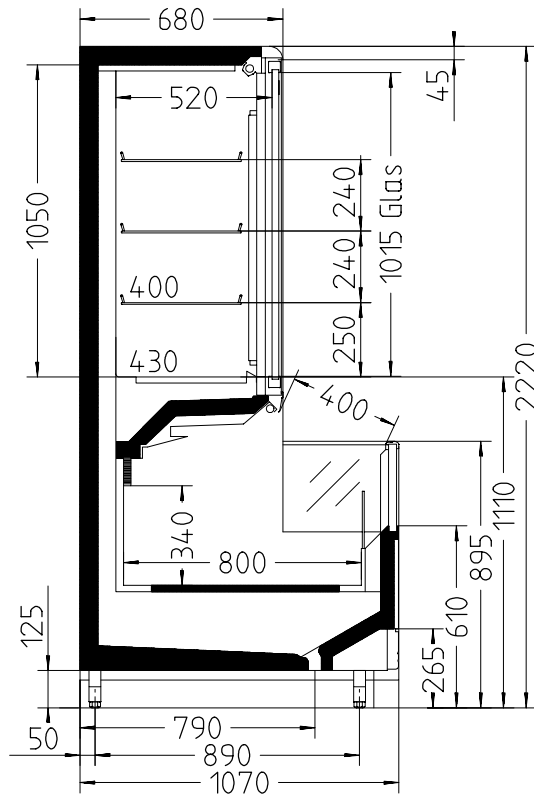
10.1.20	Vantis AG 4 with hand rail lighting and external lighting	C1.2/6.0660
10.1.20.1	Basic values	C1.2/6.0660
10.1.20.2	Σ -power with lighting	C1.2/6.0660
10.1.20.3	Σ -power with discgarge gas defrost	C1.2/6.0660
10.1.20.4	Σ -power lighting	C1.2/6.0661
10.1.20.5	Σ -power without lighting	C1.2/6.0661
10.1.20.6	Σ -power without lighting and discgarge gas defrost	C1.2/6.0661
10.1.21	Vantis AG 4 L	C1.2/6.0662
10.1.21.1	Basic values	C1.2/6.0662
10.1.21.2	Σ -power with lighting	C1.2/6.0662
10.1.21.3	Σ -power with discgarge gas defrost	C1.2/6.0662
10.1.21.4	Σ -power lighting	C1.2/6.0663
10.1.21.5	Σ -power without lighting	C1.2/6.0663
10.1.21.6	Σ -power without lighting and discgarge gas defrost	C1.2/6.0663
10.1.22	Vantis AG 4 L with external lighting	C1.2/6.0664
10.1.22.1	Basic values	C1.2/6.0664
10.1.22.2	Σ -power with lighting	C1.2/6.0664
10.1.22.3	Σ -power with discgarge gas defrost	C1.2/6.0664
10.1.22.4	Σ -power lighting	C1.2/6.0665
10.1.22.5	Σ -power without lighting	C1.2/6.0665
10.1.22.6	Σ -power without lighting and discgarge gas defrost	C1.2/6.0665
10.1.23	Vantis AG 4 L with hand rail lighting	C1.2/6.0666
10.1.23.1	Basic values	C1.2/6.0666
10.1.23.2	Σ -power with lighting	C1.2/6.0666
10.1.23.3	Σ -power with discgarge gas defrost	C1.2/6.0666
10.1.23.4	Σ -power lighting	C1.2/6.0667
10.1.23.5	Σ -power without lighting	C1.2/6.0667
10.1.23.6	Σ -power without lighting and discgarge gas defrost	C1.2/6.0667
10.1.24	Vantis AG 4 L with hand rail lighting and external lighting	C1.2/6.0668
10.1.24.1	Basic values	C1.2/6.0668
10.1.24.2	Σ -power with lighting	C1.2/6.0668
10.1.24.3	Σ -power with discgarge gas defrost	C1.2/6.0668
10.1.24.4	Σ -power lighting	C1.2/6.0669
10.1.24.5	Σ -power without lighting	C1.2/6.0669
10.1.24.6	Σ -power without lighting and discgarge gas defrost	C1.2/6.0669
11	Internal cabinet piping	C1.2/6.0681
11.1	Liquid lines	C1.2/6.0681
11.1.1	Parts overview	C1.2/6.0681
11.1.2	Line diagram for cabinet lengths 156 to 1170	C1.2/6.0681
11.2	Suction lines	C1.2/6.0682
11.2.1	Parts overview	C1.2/6.0682
11.2.2	Line diagram for cabinet lengths 156 to 1170	C1.2/6.0683

1 Dimensioned drawings

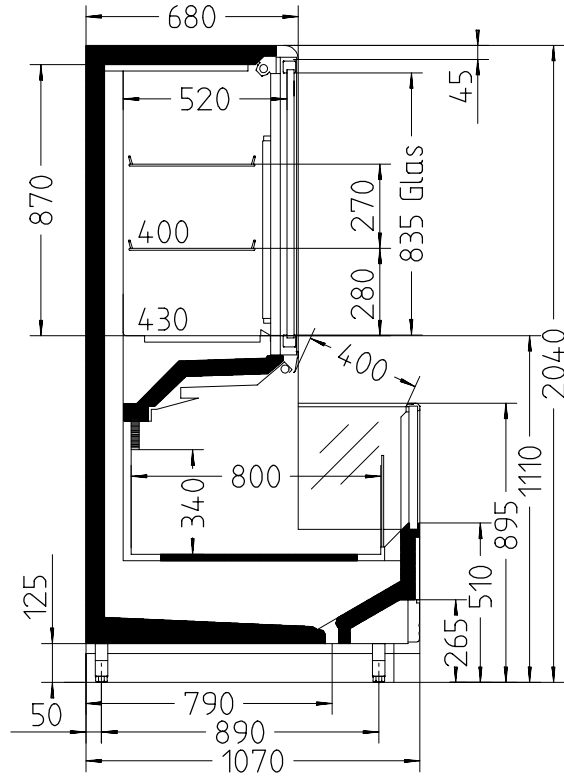
1.1 Vantis AG3 / SG3 A8



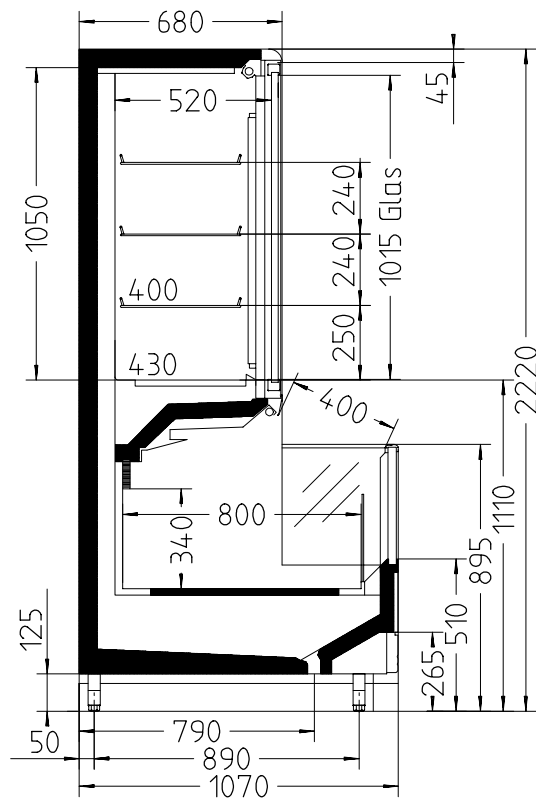
1.2 Vantis AG3 / SG3 A8 L



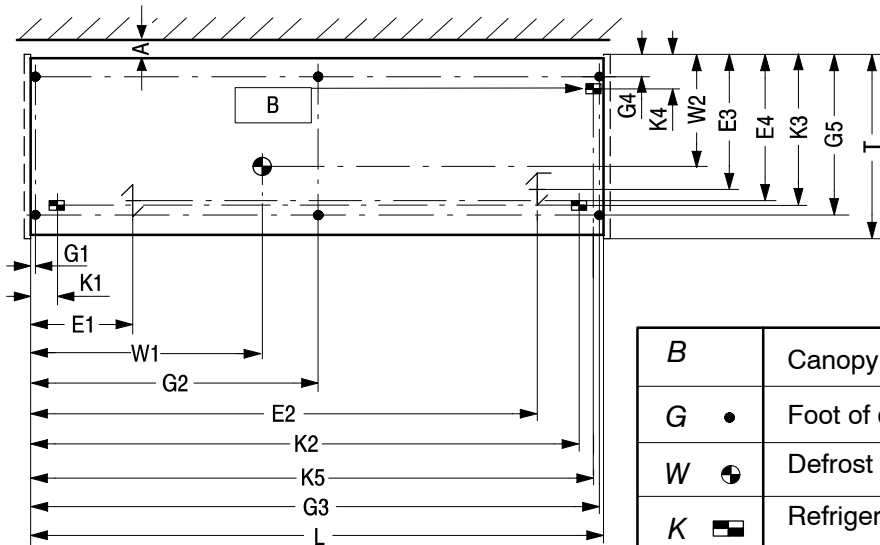
1.3 Vantis AG4 / SG4 A8



1.4 Vantis AG3 / SG3 A8 L



2 Space requirement and fixing dimension



<i>B</i>	Canopy connections
<i>G</i> •	Foot of cabinet
<i>W</i> ⊕	Defrost water drain
<i>K</i> ⊞	Refrigerant lines
<i>E1</i> ↕	Electrical connection (terminal box)
<i>E2</i> ↕	Electrical connection (pilot cabinet)

Basic length				
		250	375	
A		50	50	
L		2500	3750	
T		1070	1070	
E1		210	210	
E2		1600	2800	
E3		960	960	
E4		960	960	
K1		-	-	
K2		1020	2270	
K3		790	790	
K4		95	95	
K5		2405	2405	
G1		55	55	
G2		-	1895	
G3		2445	3695	
G4		50	50	
G5		940	940	
W1		820	2070	
W2		790	790	

3 Technical data

				188	250	375	
Ambient temperature		ta	°C	25			
Air humidity		φ	%	60			
Lighting	vertical frame	Power without ballast	Watt	3x18	4x18	6x18	
	vertical frame L		Watt	3x30	4x30	6x30	
	horizontal frame		Watt	1x58	2x30	3x30	
	Endwall right		Watt	1x18			
	Endwall L right		Watt	1x30			
	Island part		Watt	1x58	2x36	3x36	
	Handrail		Watt	1x58	1x34 1x36	2x58	
	Externally		Watt	1x80	2x54	3x54	
Defrost heater	Evaporator	Power at 230 V	Watt	3x600 1x250	3x800 1x350	3x1200 1x500	
	Air inlet		Watt	1x300	1x400	1x600	
	Fan plate		Watt	1x300	1x350	1x350 1x200	
Permanent heater Door part	Door frame	Power at 230 V	Watt	15			
	Door frame L		Watt	16			
	Thermopane glass SG		Watt	51			
	Thermopane glass SG L		Watt	62			
	Thermopane glass AG		Watt	60			
	Thermopane glass AG L		Watt	73			
	Frame		small	Watt	81	119	196
			long	Watt	200	281	339
	Frame L		small	Watt	84	129	239
			long	Watt	215	238	357
Permanent heater Endwall	Endwall	Power at 230 V	XG 3	Watt 2x9			
			XG 4	Watt 1x9 / 1x14			
	Thermopane glassl		Watt	18			
Permanent heater Island part	Intermediate plate	Power at 230 V	Watt		1x107 1x36	1x144 1x47	
	Discharge		Watt	16			
	Thermopane glass AG/SG3		Watt	59	76	110	
	Thermopane glass AG/SG4		Watt	63	76	113	

			188	250	375
Fan motor	230-240V 50/60 Hz	pcs./Watt	2x38	4x38	6x38
Fan impeller		Type	A0 172-25		
Expansion valve	R404A	Type	TS2-01	TS2-02	TS2-03
Refrigeration requirement $Q_{o\text{ eff.}}$	XG 3	ti-18/-20°C toeff-32°C	Watt	1430	2140
		ti-22/-24°C toeff-36°C	Watt	1550	2320
	XG 4	ti-18/-20°C toeff-32°C	Watt	1450	2180
		ti-22/-24°C toeff-36°C	Watt	1580	2370
	XG3L	ti-18/-20°C toeff-31°C	Watt	1530	2290
		ti-22/-24°C toeff-36°C	Watt	1670	2500
	XG4L	ti-18/-20°C toeff-31°C	Watt	1560	2340
		ti-22/-24°C toeff-36°C	Watt	1700	2550

4 Setting values

4.1 Defrost

t_i	[°C]	-18/-20	-22/-24
Defrost	[min/24h]	1x60	1x60
Start at	[h]	21:00	21:00

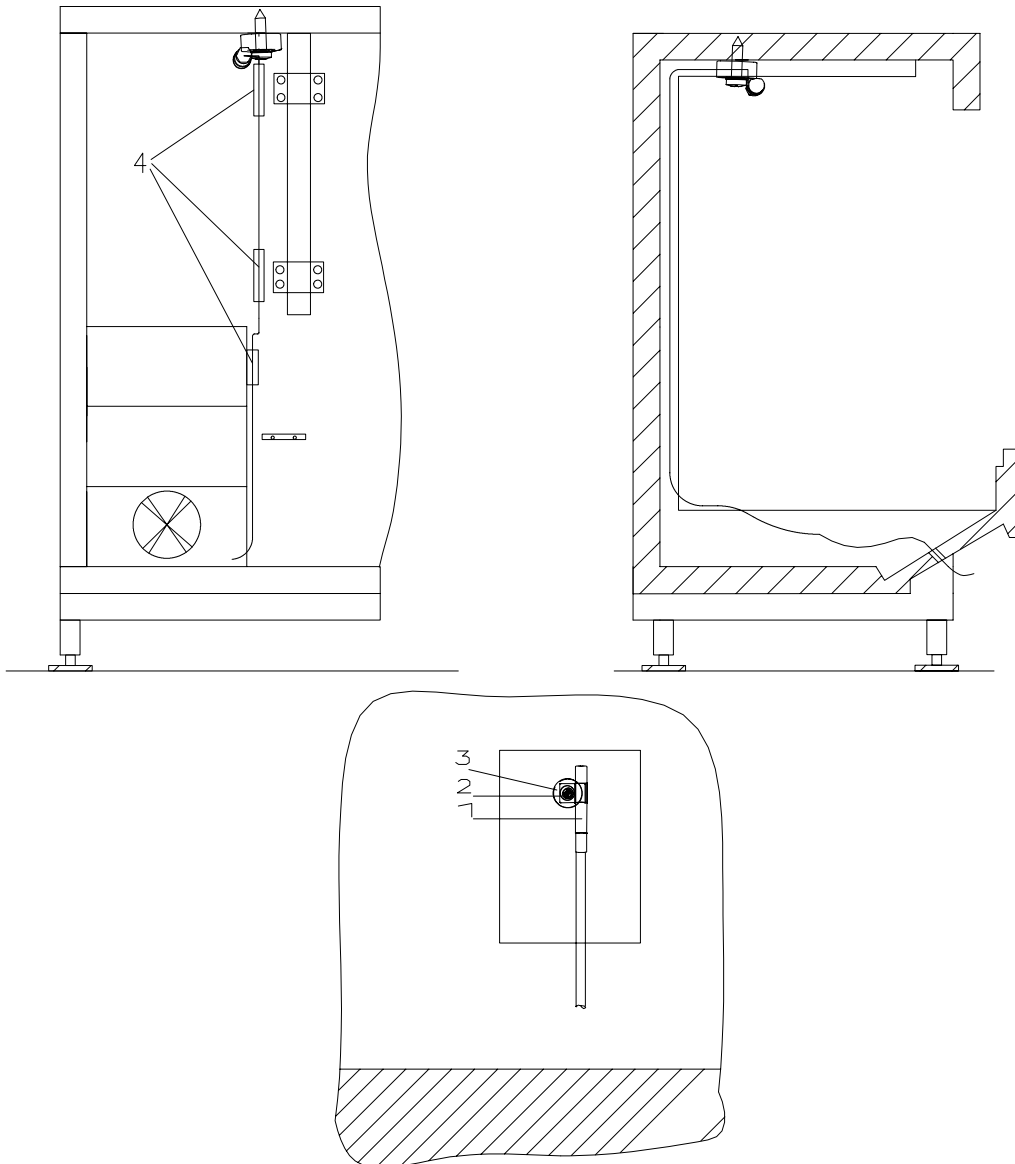
4.2 Conventional control Setpoint values (on sensor)

Control thermostat	[°C]	-28	-32
Defrost thermostat	[°C]	+12	+12
Alarm	[°C]	-12	-12
Safety thermostat	[°C]	x	x

4.3 Electronic control Setpoint values (on sensor)

		Day	Night	Day	Night
Air intake R2.1	[°C]	-28	x	-32	x
Hysteresis air intake	[K]	+4	x	+4	x
Return air R4.1	[°C]	-18	x	-23	x
Hysteresis return air	[K]	+2	x	+2	x
End of defrost	[°C]	+12	x	+12	x
Alarm	[°C]	-12	x	-12	x
Continuous running monitoring	[min]	x	x	x	x

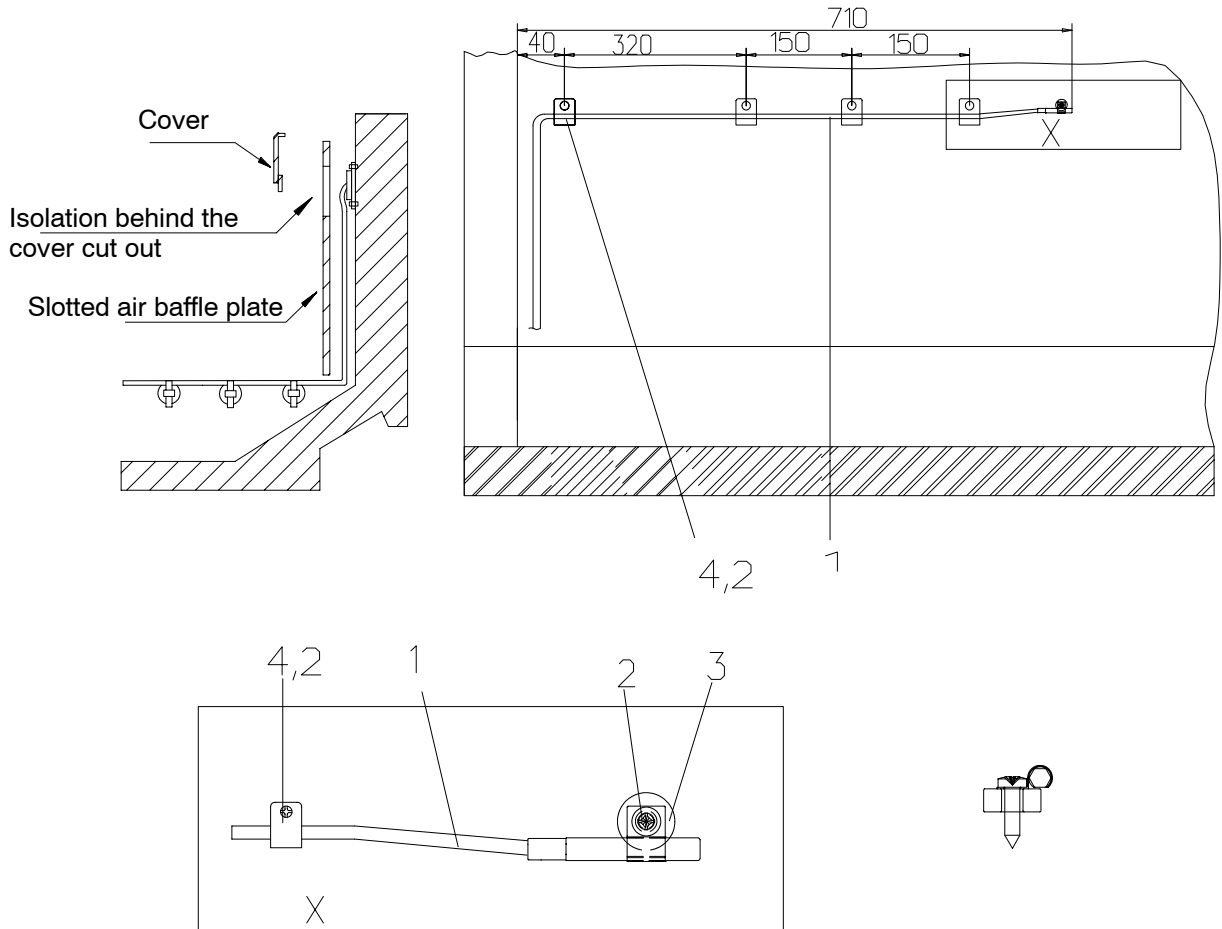
5 Temperature control
5.1 Electronically controlled refrigeration
5.1.1 Air intake sensor R2



5.1.1.1 Parts list, Air intake sensor

Item	Designation	Part No.	Qty.
1	Sensor R2	879462	1
2	Sheet metal screw 3,9x16	135167	1
3	Plate	149504	1
4	Aluminum tape	139048	

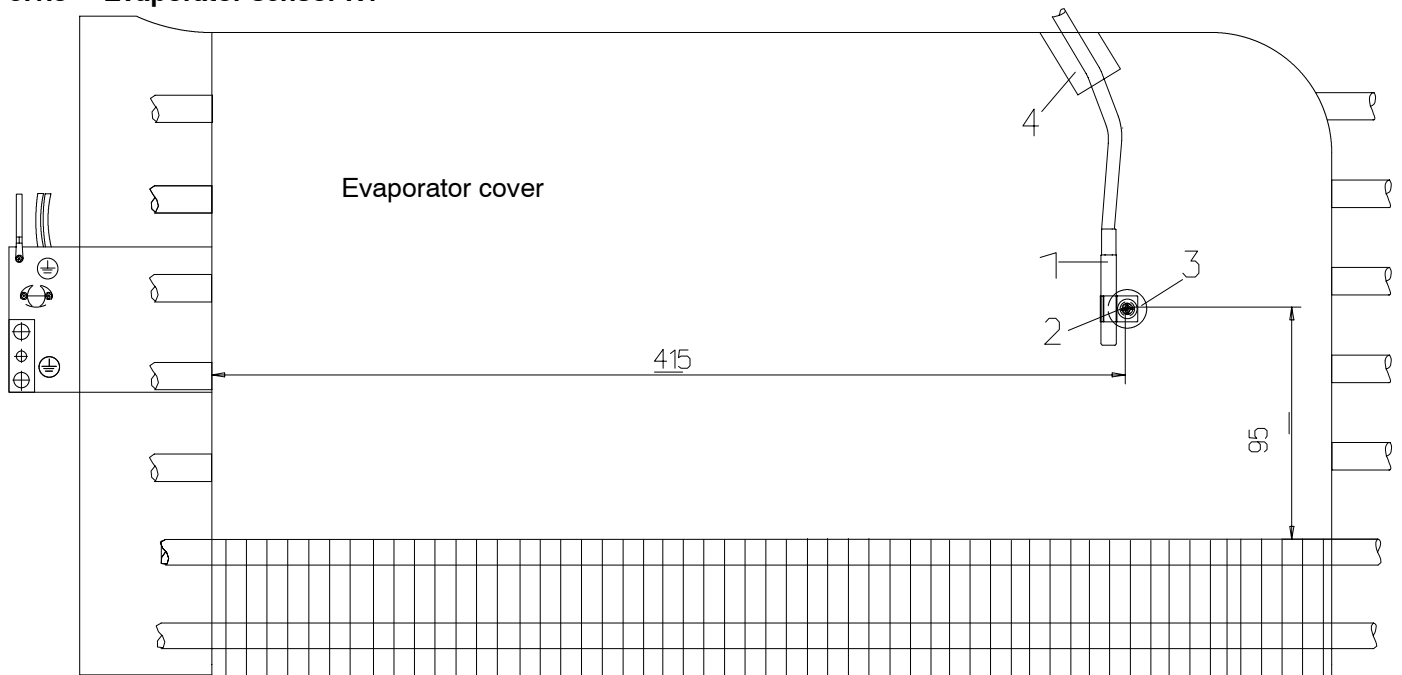
5.1.2 Return air sensor R4



5.1.2.1 Parts list, Return air sensor

Item	Designation	Part No.	Qty.
1	Sensor R4	879466	1
2	Cable clip H2P	408501	4
3	Sheet metal screw 3,9x9,5	135169	5
4	Plate	149504	1

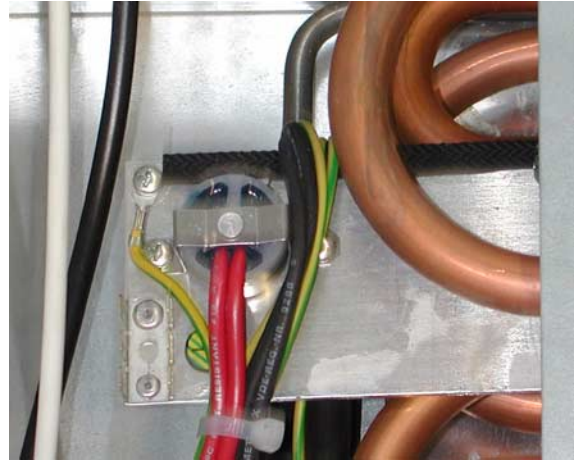
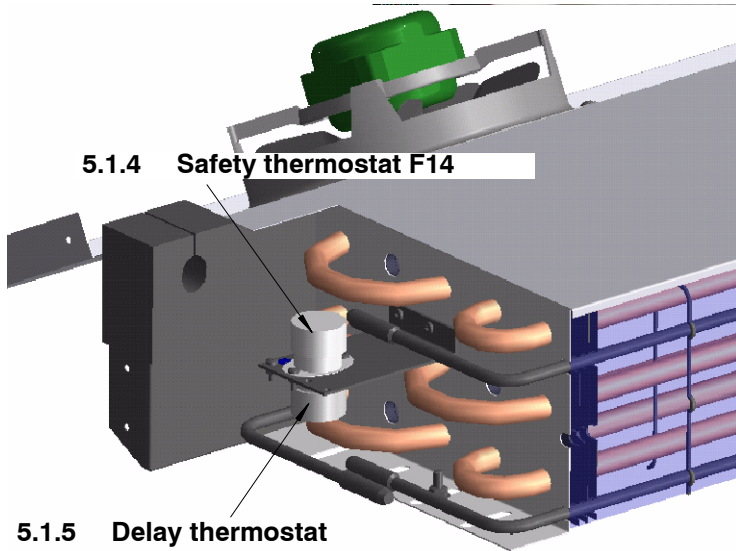
5.1.3 Evaporator sensor R1



Excess cable length in cable strand accommodated inside the unit

5.1.3.1 Parts list, Evaporator sensor

Item	Designation	Part No.	Qty.
1	Sensor R1	879456	1
2	Sheet metal screw 3,9x9,5	135169	1
3	Plate	149504	1
4	Aluminum tape	139048	



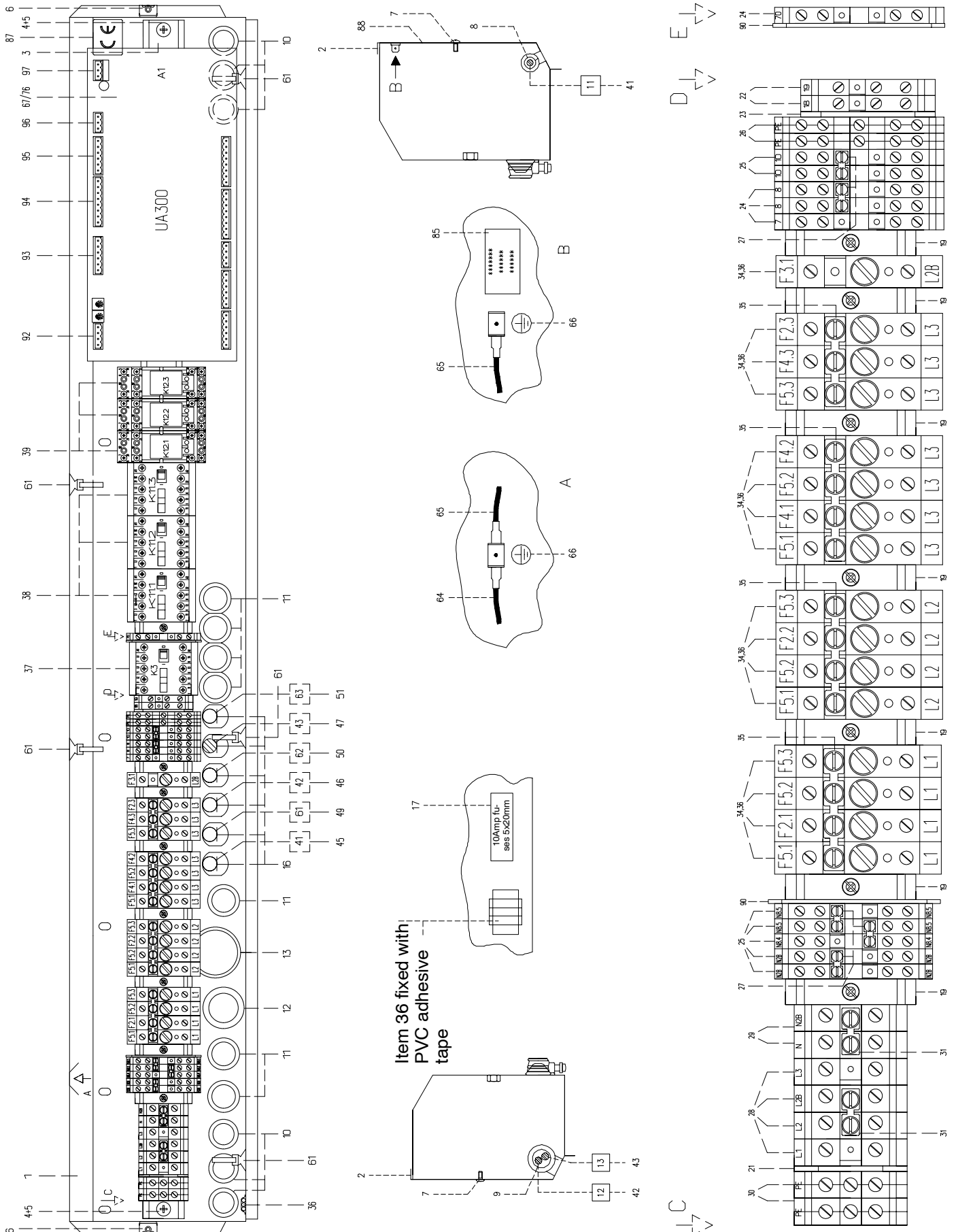
Sensor wire to the terminal box

5.1.5.1 Switching values of safety and delay thermostat

Item	Designation	Part No.	Switching temperatures	
			Opening at: (°C ± 3 K)	Closing at: (°C ± 4 K)
5.1.4	Safety thermostat F14	878886	+ 60	+ 32
5.1.5	Delay thermostat	437383	+ 1	- 7

5.1.6 UA 300 control

5.1.6.1 Installation diagram for electrical pack UA 300 / UA 131 with defrost heating



5.1.6.2 Electrical pack, parts list UA 300 / UA 131 with defrost heating

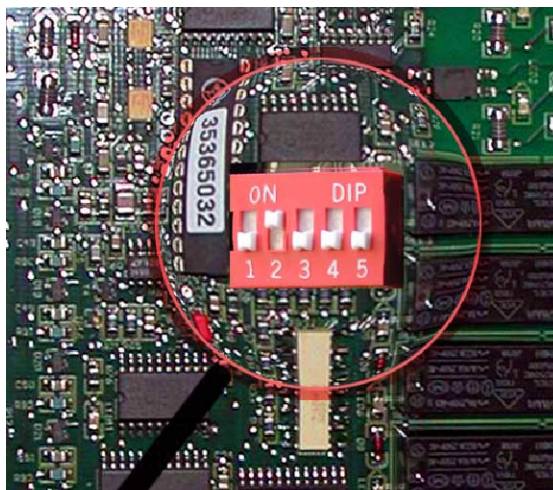
E-pack 3K UA300TC/UA131 with timer
E-pack 3K UA300CC/UA131 with CAN

877596
877588

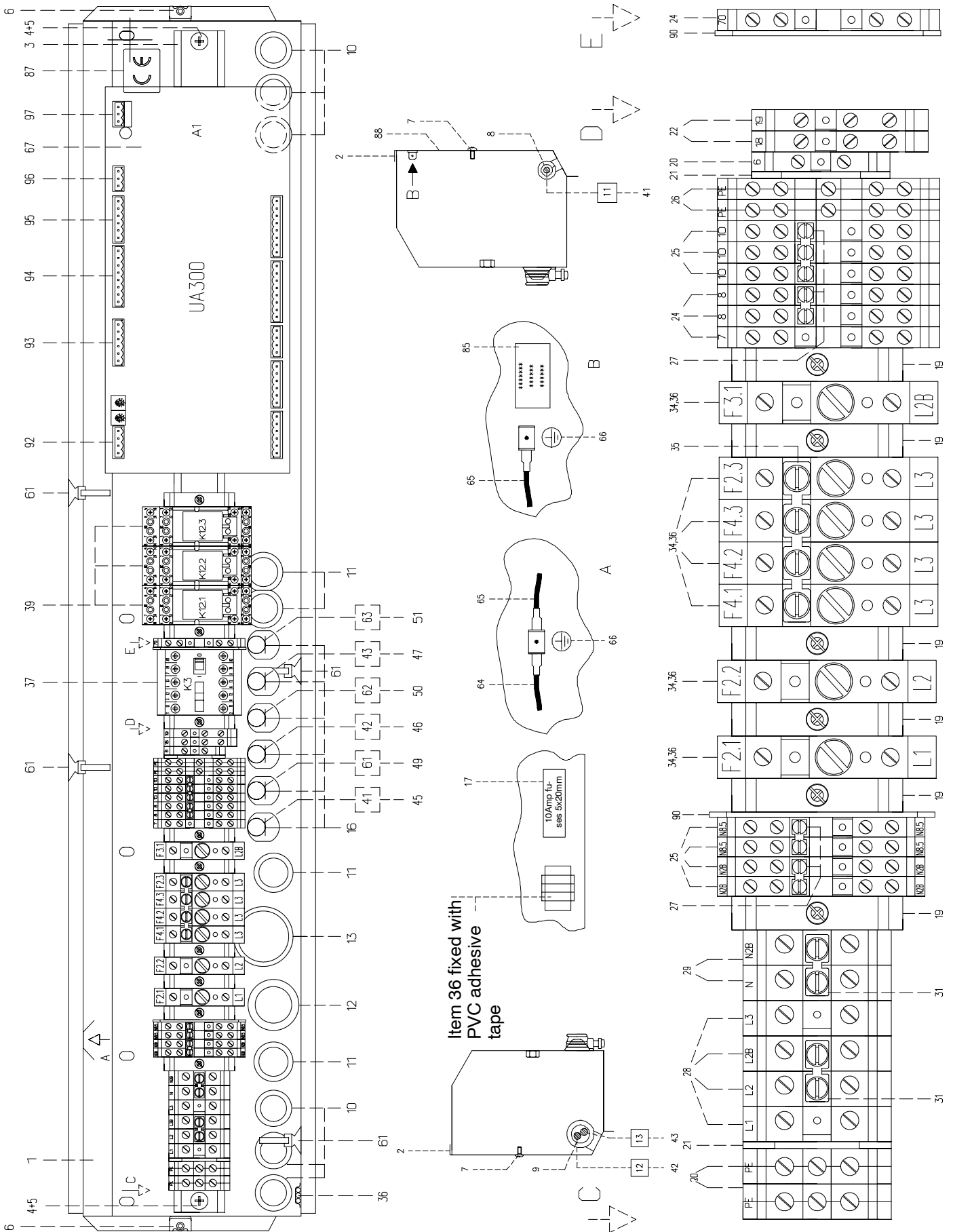
Item	Designation	Part No.	Qty.	Item	Designation	Part No.	Qty.
1	Switch box	852326	1	41	Cable No. 11 6x0.75mm ²		1
2	Cover	852328	1	42	Cable No. 12 4x0.75mm ²		1
3	Cup rail	852330	1	43	Cable No. 13 6x0.75mm ²		1
4	Oval head screw M6x8		4	45	Cable No. 41 9x1mm ²		1
5	Serrated lock washer A6,4	135177	4	46	Cable No. 42 7x1mm ²		1
6	Special Nut B 3,9	153039	2	47	Cable No. 43 9x1mm ²		1
7	Sheet Metal Screw 3,9x12	135166	2	49	Cable No. 61 10x1mm ²		1
17	Adhesive label for fuses	803137	1	50	Cable No. 62 10x1mm ²		1
19	End clamp	437971	8	51	Cable No. 63 10x1mm ²		1
21	Cover	436230	1	61	Cable binder with foot	467137	5
22	Twin terminal UK5-Twin	474621	4	64	Cable gnge 1.5mm ² 150mm	134633	1
23	Cover D-UKTwin	474622	1	65	Cable gnge 1.5mm ² 300mm	465184	1
24	Terminal UDK4 grey	467555	4	66	Earth symbol	134655	2
25	Terminal UDK4 blue	467556	7	67	Electronic control UA300CC	855718	1
26	Protective conductor terminal UDK4-PE	484984	2	76	Electronic control UA300TC	855719	1
27	Fixed bridge, two-part	436240	5	85	Adhesive label UA300/UA131	852444	1
28	Universal terminal UK10N	436233	4	87	Adhesive label "CE"		1
29	Universal terminal UKN10N blue		2	88	Adhesive label "before opening the terminal box"	472668	1
30	Protective conductor terminal USLKG10N	436231	2	90	Cover D-UDK4	467560	2
31	Fixed bridge FBI 10-10		2	92	Connector 4-pole / CAN	861254	1
34	Fuse terminal UK10-DREH-SILA	803287	16	93	Connector 6-pole / inputs	861255	1
35	Fixed bridge, ten-part	803288	4	94	Connector 8-pole / outputs	861256	1
36	Cartridge fuse link G M10/250	407915	19	95	Connector 6-pole / outputs	861257	1
37	Conductor 4 NO	804285	1	96	Connector 3-pole / warning	861258	1
38	Conductor 3 / 1	804287	3	97	Connector 3-pole / mains	861259	1
39	Relay 230V AC with socket and clip		3				

5.1.6.3 Dip switch setting UA300 / UA131 with defrost heating

The dip switches can be adjusted by inserting a small screwdriver through the hole in the housing cover



5.1.6.4 Installation diagram for electrical pack UA 300 / UA 131DD with discharge gas defrost



5.1.6.5 Electrical pack, parts list UA 300 / UA 131 with discharge gas defrost

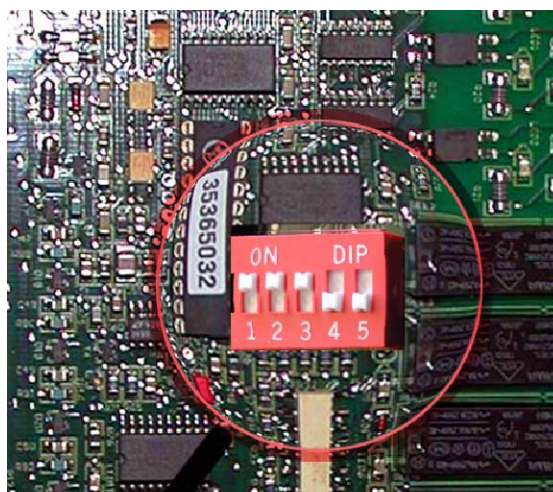
E-pack 3K UA300CC/UA131DD with CAN

877588

Item	Designation	Part No.	Qty.	Item	Designation	Part No.	Qty.
1	Switch box	852325	1	41	Cable No. 11 6x0.75mm ²		1
2	Cover	852327	1	42	Cable No. 12 4x0.75mm ²		1
3	Cup rail	852329	1	43	Cable No. 13 6x0.75mm ²		1
4	Oval head screw M6x8		3	45	Cable No. 41 9x1mm ²		1
5	Serrated lock washer A6.4	135177	3	46	Cable No. 42 7x1mm ²		1
6	Special Nut B 3,9	153039	2	47	Cable No. 43 9x1mm ²		1
7	Sheet Metal Screw 3,9x12	135166	2	49	Cable No. 61 10x1mm ²		1
17	Adhesive label for fuses	803137	1	50	Cable No. 62 10x1mm ²		1
19	End clamp	437971	9	51	Cable No. 63 10x1mm ²		1
20	Universal terminal UK10N	436229	1				
21	Cover	436230	2	61	Cable binder with foot	467137	4
22	Twin terminal UK5-Twin	474621	2	64	Cable gnge 1.5mm ² 150mm	134633	1
23	Cover D-UKTwin	474622	1	65	Cable gnge 1.5mm ² 300mm	465184	1
24	Terminal UDK4 grey	467555	4	66	Earth symbol	134655	2
25	Terminal UDK4 blue	467556	7	67	Electronic control UA300CC	855718	1
26	Protective conductor terminal UDK4-PE	484984	2				
27	Fixed bridge, two-part	436240	5	85	Adhesive label UA300/UA131	852444	1
28	Universal terminal UK10N	436233	4	87	Adhesive label "CE"		1
29	Universal terminal UKN10N blue		2	88	Adhesive label "before opening the terminal box"	472668	1
30	Protective conductor terminal USLKG10N	436231	2	90	Cover D-UDK4	467560	2
31	Fixed bridge, FBI 10-10		2	92	Connector 4-pole / CAN	861254	1
34	Fuse terminal UK10-DREH-SILA	803287	16	93	Connector 6-pole / inputs	861255	1
35	Fixed bridge, ten-part	803288	4	94	Connector 8-pole / outputs	861256	1
36	Cartridge fuse link G M10/250	407915	19	95	Connector 6-pole / outputs	861257	1
37	Conductor 4 NO	804285	1	96	Connector 3-pole / warning	861258	1
				97	Connector 3-pole / mains	861259	1
39	Relay 230V AC with socket and clip		3				

5.1.6.6 Dip switch setting UA300 / UA131DD with discharge gas defrost

The dip switches can be adjusted by inserting a small screwdriver through the hole in the housing cover.



Assembly instructions
Vantis SGX/AGX. XXX A8/A8L

5.1.6.8 Electrical accessory parts list external control

E-pack 3K

877600

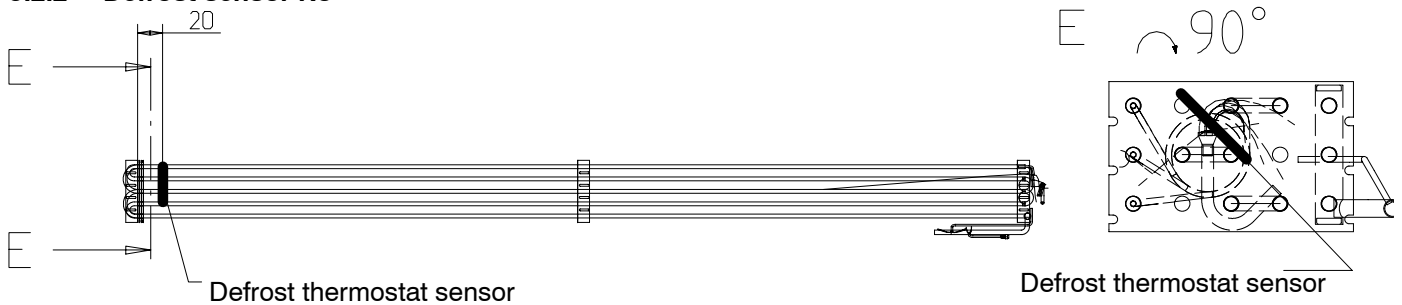
Item	Designation	Part No.	Qty.	Item	Designation	Part No.	Qty.
1	Switch box	852326	1	41	Cable No. 11 6x0.75mm ²		1
2	Cover	852328	1	42	Cable No. 12 4x0.75mm ²		1
3	Cup rail	852330	1	43	Cable No. 13 6x0.75mm ²		1
4	Oval head screw M6x8		4	45	Cable No. 41 9x1mm ²		1
5	Serrated lock washer A6.4	135177	4	46	Cable No. 42 7x1mm ²		1
6	Special Nut B 3,9	153039	2	47	Cable No. 43 9x1mm ²		1
7	Sheet Metal Screw 3,9x12	135166	2	49	Cable No. 61 10x1mm ²		1
17	Adhesive label for fuses	803137	1	50	Cable No. 62 10x1mm ²		1
19	End clamp	437971	9	51	Cable No. 63 10x1mm ²		1
20	Universal terminal UK10N	436229	5				
21	Cover	436230	2	61	Cable binder with foot	467137	2
22	Twin terminal UK5-Twin	474621	2	64	Cable gnge 1.5mm ² 150mm	134633	1
23	Cover D-UKTwin	474622	1	65	Cable gnge 1.5mm ² 300mm	465184	1
24	Terminal UDK4 grey	467555	4	66	Earth symbol	134655	2
25	Terminal UDK4 blue	467556	7				
26	Protective conductor terminal UDK4-PE	484984	2				
27	Fixed bridge, two-part	436240	4				
28	Universal terminal UK10N	436233	4	87	Adhesive label "CE"		1
29	Universal terminal UKN10N blue		2	88	Adhesive label "before opening the terminal box"	472668	1
30	Protective conductor terminal USLKG10N	436231	2	90	Cover D-UDK4	467560	2
31	Fixed bridge, FBI 10-10		2	92			
34	Fuse terminal UK10-DREH-SILA	803287	7	93			
35	Fixed bridge, ten-part	803288	1	94			
36	Cartridge fuse link G M10/250	407915	10	95			
37	Conductor 4 NO	804285	1	96			
38	Conductor 3 / 1	804287	3	97			
39	Relay 230V AC with socket and clip		3				

5.2 Conventionally controlled refrigeration

5.2.1 Air intake sensor N1

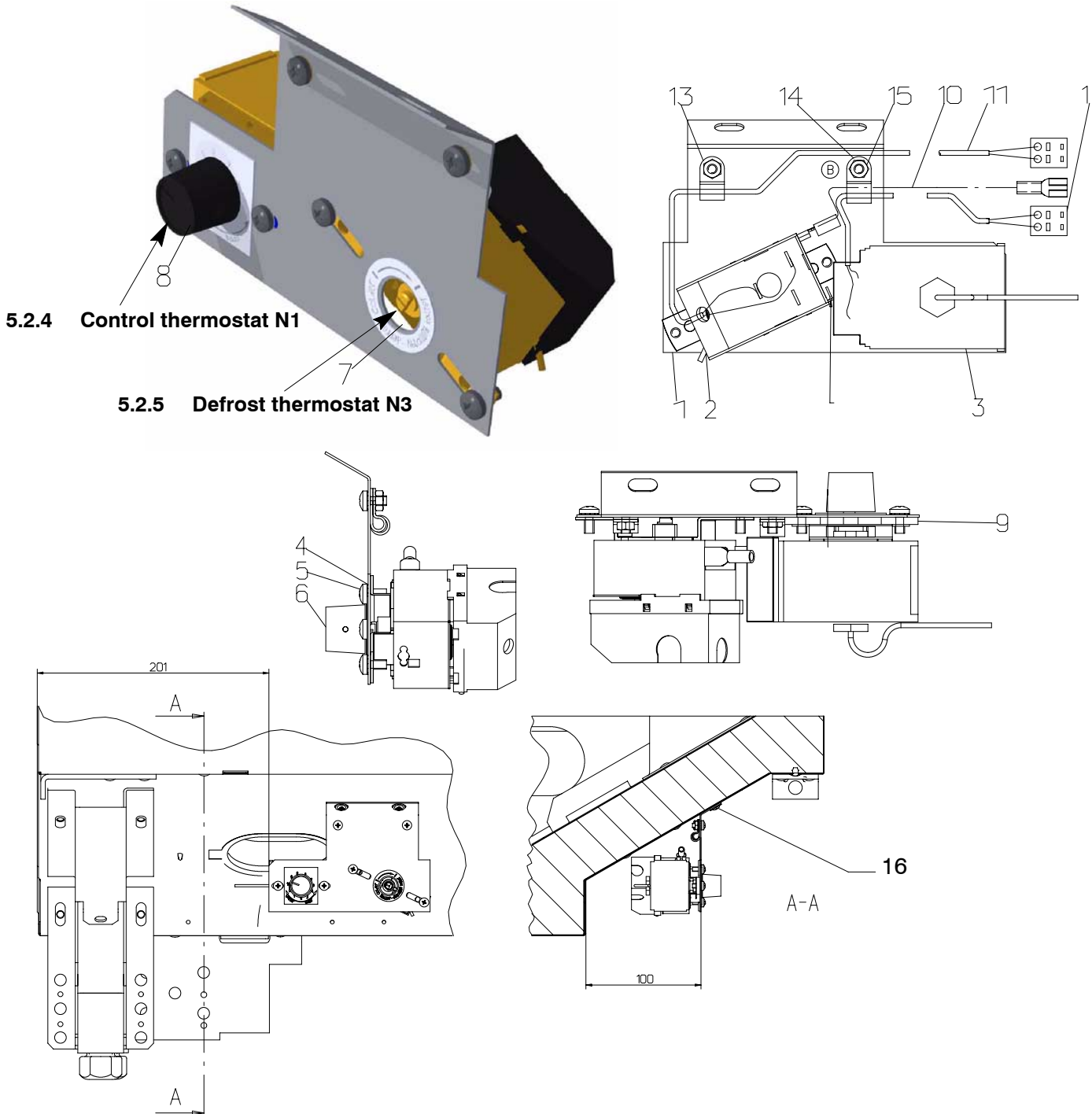
**At the time of preparing these installation instructions, no drawings or parts lists were available for this section!
Missing diagrams and details will be provided at a later time.**

5.2.2 Defrost sensor N3



5.2.3 Safety thermostat F14

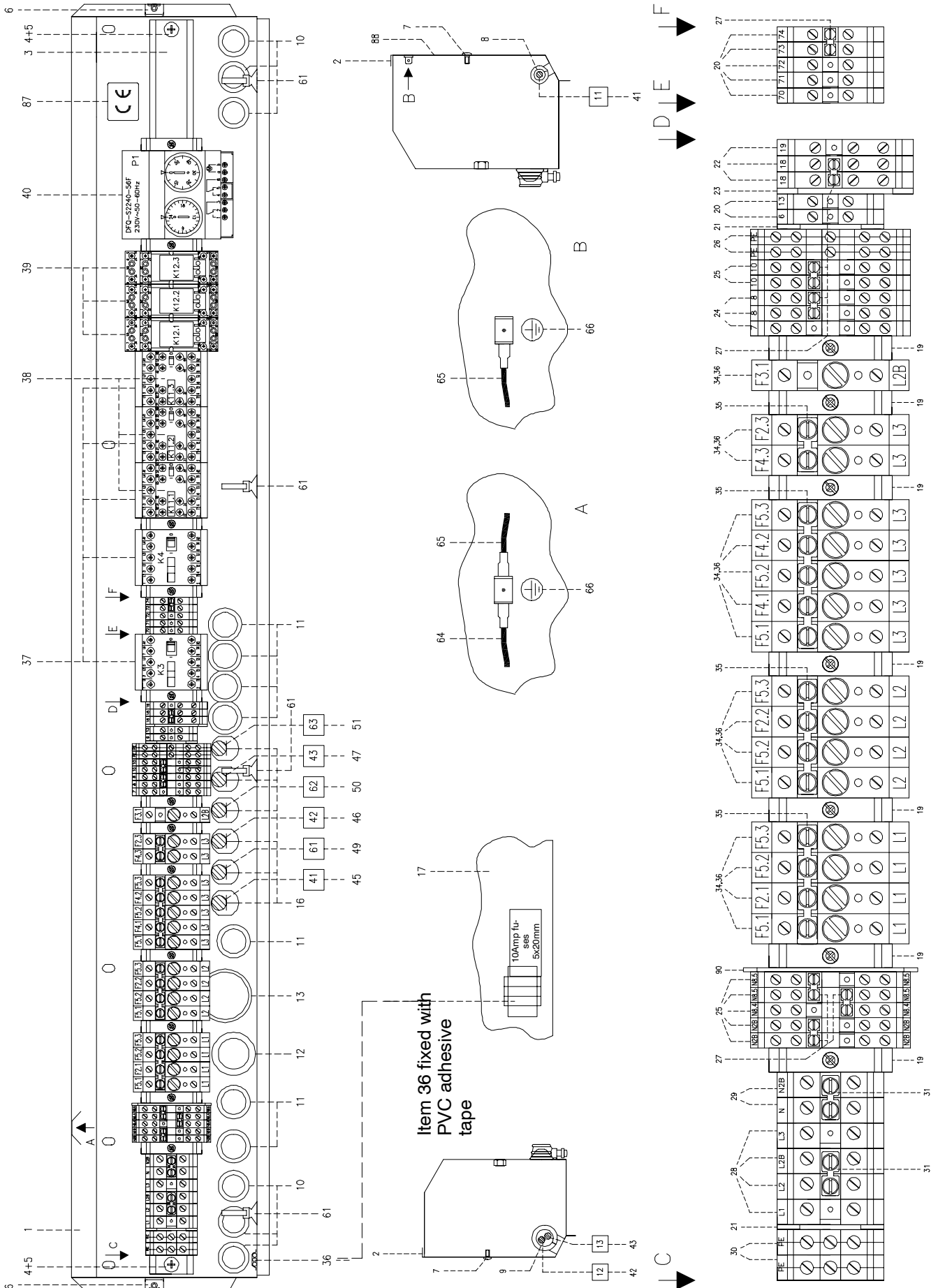




5.2.5.1 Parts list, Control thermostat and defrost thermostat

Item	Designation	Part No.	Item	Designation	Part No.
1	Holder for thermostat	885855	9	Plate	488434
2	Thermostat K22L2044000	431770	10	Cable gnge 1.5mm ²	465185
3	Thermostat G02P7107000	138367	11	Cable for defrost thermostat	878623
4	Serrated lock washer A4.3	135176	12	Cable for control thermostat	879668
5	Oval head screw M4x6	438684	13	Cable clip H2P	408501
6	Rotary knob	139055	14	Cable clip H2P	408263
7	Adhesive label for defrost thermostat	473428	15	Nut M4 DIN 934	101920
8	Adhesive label for control thermostat	407571	16	Screw ST 3,9x12	135166

5.2.6 Installation diagram, electrical pack for thermostatic control with defrost heating



Assembly instructions
Vantis SGX/AGX. XXX A8/A8L

5.2.6.1 Electrical pack, parts list for thermostatic control with defrost heating

E-pack 3K 400V / 50 Hz

877600

Item	Designation	Part No.	Qty.	Item	Designation	Part No.	Qty.
1	Switch box	852326	1	35	Fixed bridge, ten-part	803288	4
2	Cover	852328	1	36	Cartridge fuse link G M10/250	407915	19
3	Cup rail	852330	1	37	Conductor 4 NO	804285	5
4	Oval head screw M6x8		4	38	Auxiliary switch 2NO/2NC		3
5	Serrated lock washer A6.4	135177	4	39	Relay 230V AC		3
6	Special Nut B 3,9	153039	2	40	Timer	822 543	1
7	Sheet Metal Screw 3,9x12	135166	2	41	Cable No. 11 4x0.75mm ²		1
17	Adhesive label for fuses	803137	1	42	Cable No. 12 2x0.75mm ²		1
19	End clamp	437971	12	43	Cable No. 13 2x0.75mm ²		1
20	Universal terminal UK5N	436229	7	45	Cable No. 41 9x1mm ²		1
21	Cover	436230	2	46	Cable No. 42 7x1mm ²		1
22	Twin terminal UK5-Twin	474621	3	47	Cable No. 43 7x1mm ²		1
23	Cover D-UKTwin	474622	1	49	Cable No. 61 10x1mm ²		1
24	Terminal UDK4 grey	467555	3	50	Cable No. 62 10x1mm ²		1
25	Terminal UDK4 blue	467556	7	51	Cable No. 63 10x1mm ²		1
26	Protective conductor terminal UDK4-PE	484984	2	61	Cable binder with foot	467137	4
27	Fixed bridge, two-part	436240	7	64	Cable gnge 1.5mm ² 150mm	134633	1
28	Universal terminal UK10N	436233	4	65	Cable gnge 1.5mm ² 300mm	465184	1
29	Universal terminal UKN10N blue		2	66	Earth symbol	134655	2
30	Protective conductor terminal USLKG10N	436231	2	87	Adhesive label "CE"		1
31	Fixed bridge, FBI 10-10		2	88	Adhesive label	472668	1
34	Fuse terminal UK10-DREHSILA	803287	16	90	Cover D-UDK4	467560	1

5.3 Danfoss controlled cooling

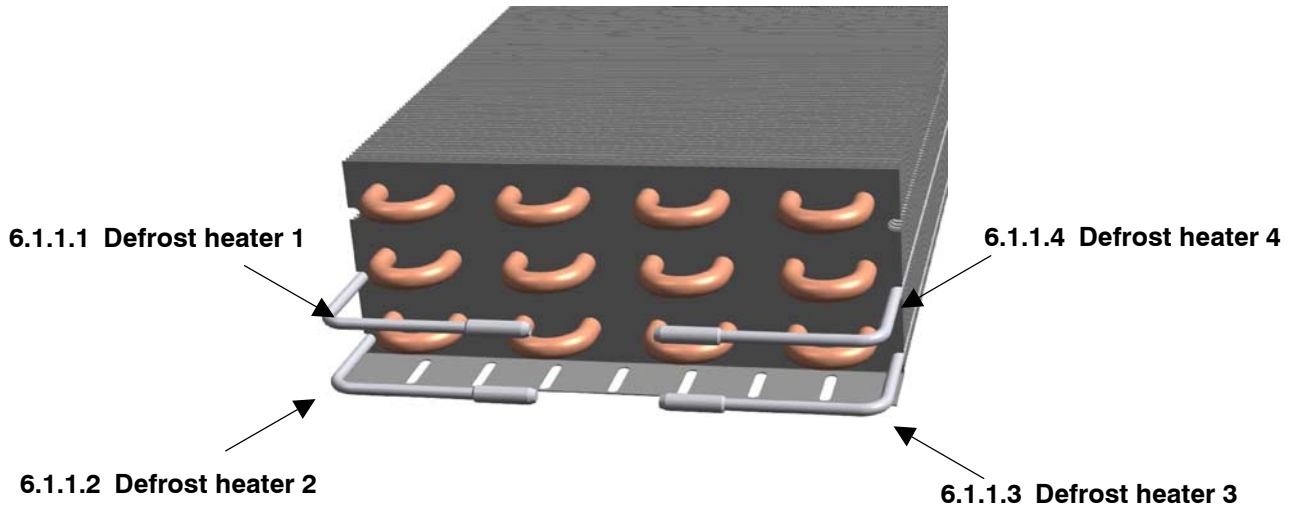
At the time of preparing these installation instructions, no drawings or parts lists were available for this section!

Missing diagrams and details will be provided at a later time.

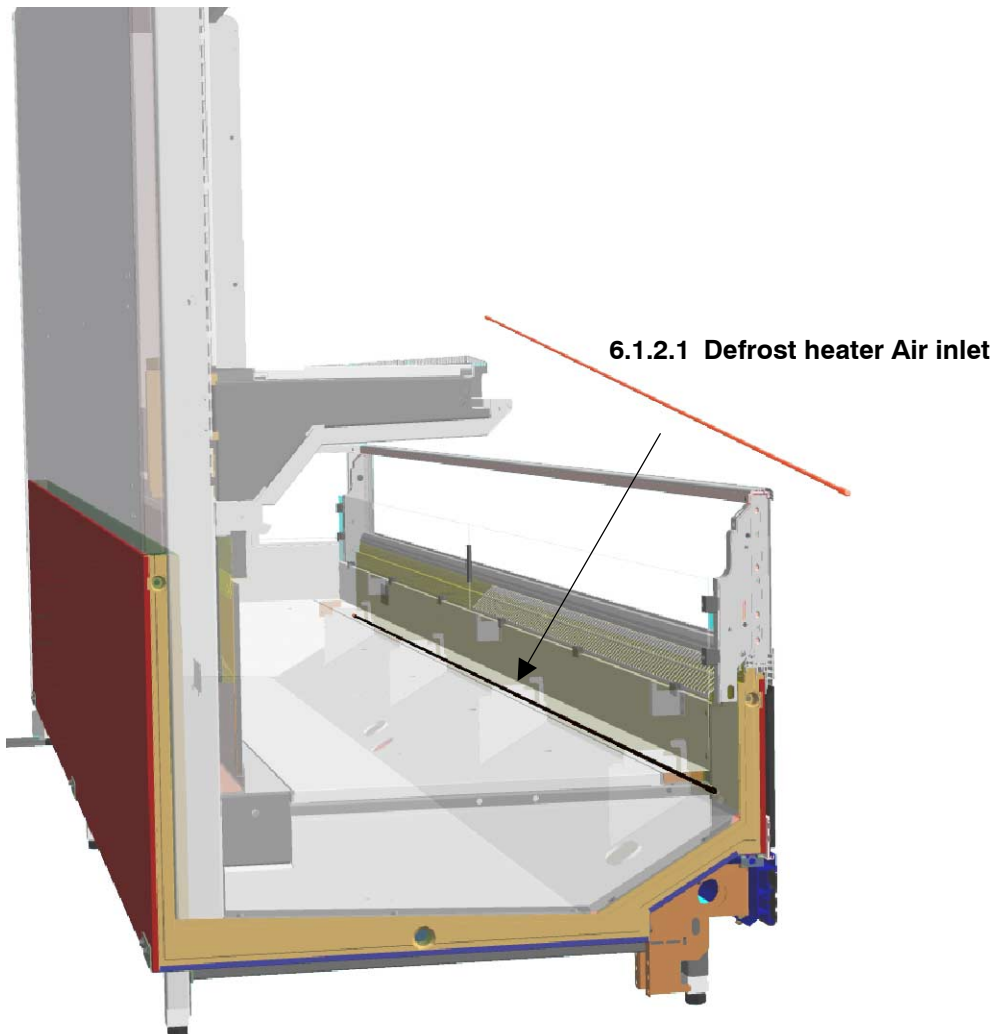
6 Heaters

6.1 Defrost heaters

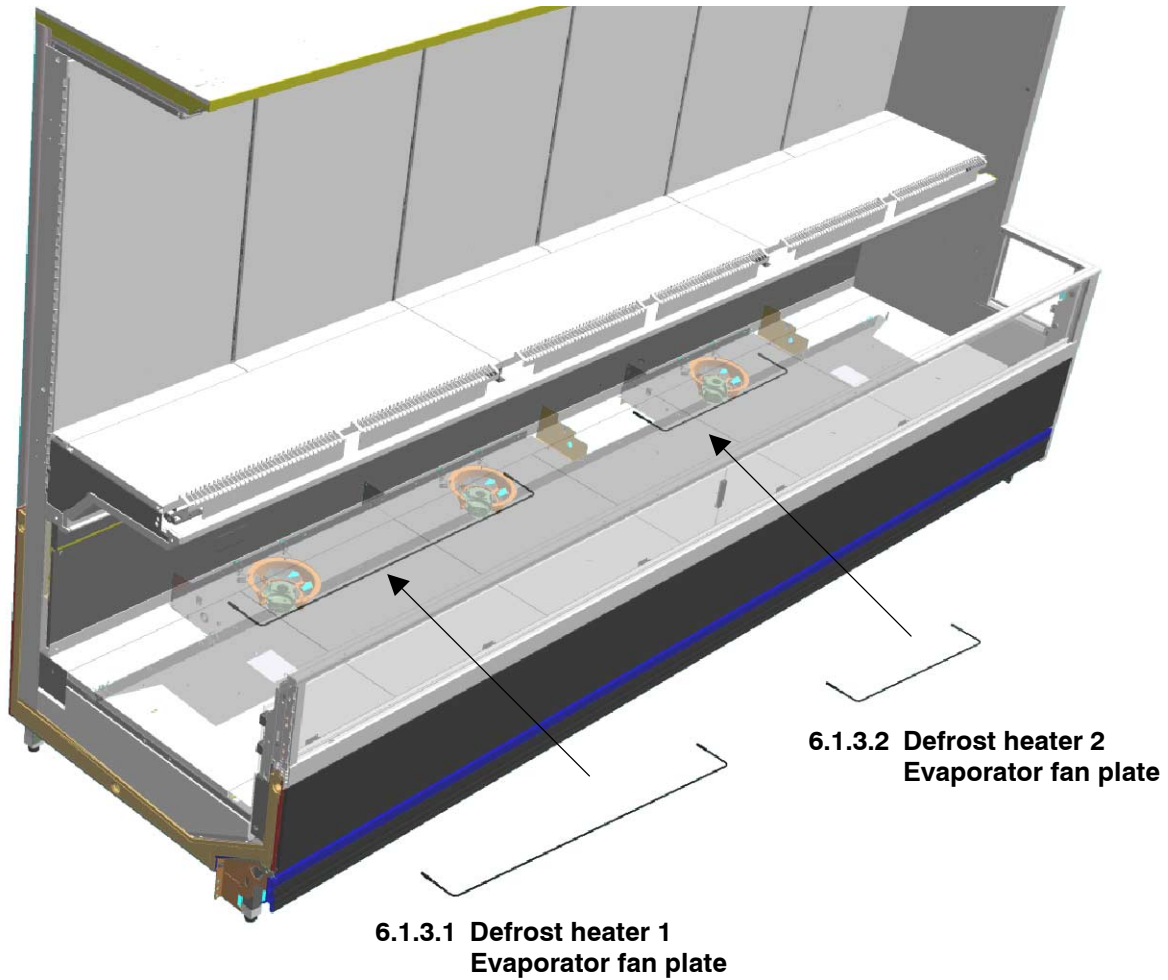
6.1.1 Evaporator



6.1.2 Air inlet



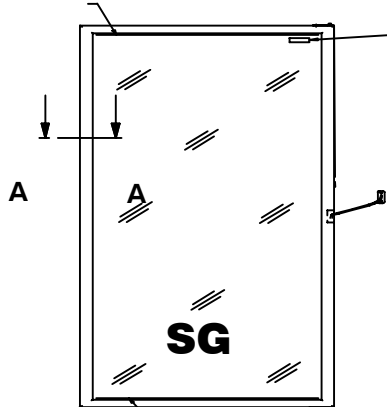
6.1.3 Evaporator fan plate



6.2 Permanent heaters

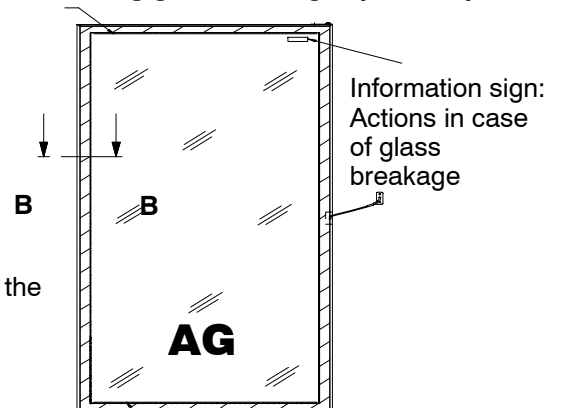
6.2.1 On insulated glazing and door frame

6.2.1.1 Insulating glass heating vapour-deposited



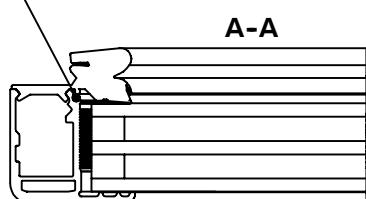
Attention:
 If insulated glazing is faulty, the complete door must be replaced

6.2.1.4 Insulating glass heating vapour-deposited



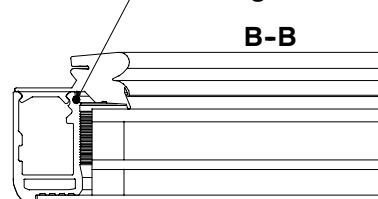
6.2.1.2 Insulating glass heating vapour-deposited

6.2.1.3 Door frame heating

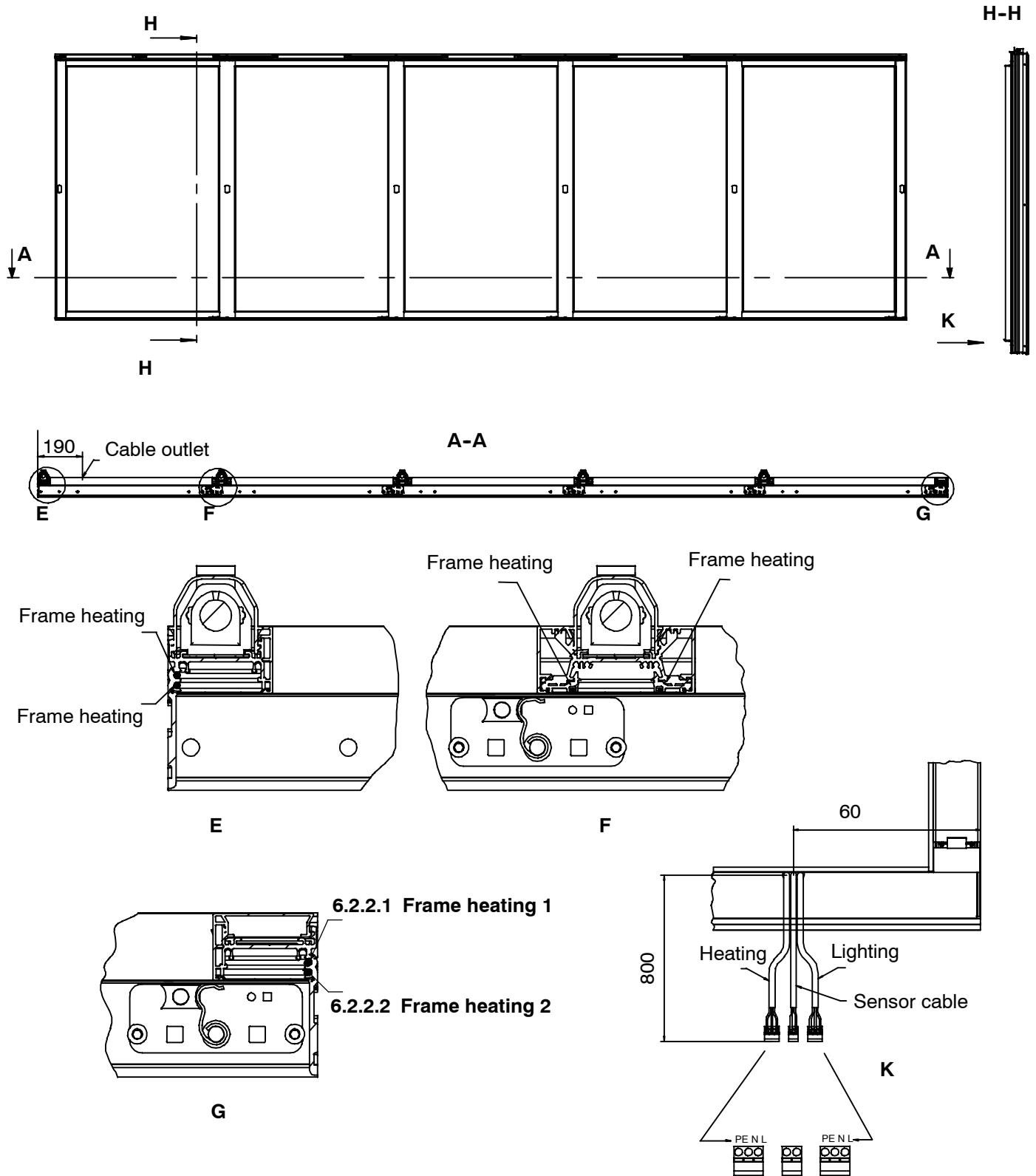


6.2.1.5 Insulating glass heating vapour-deposited

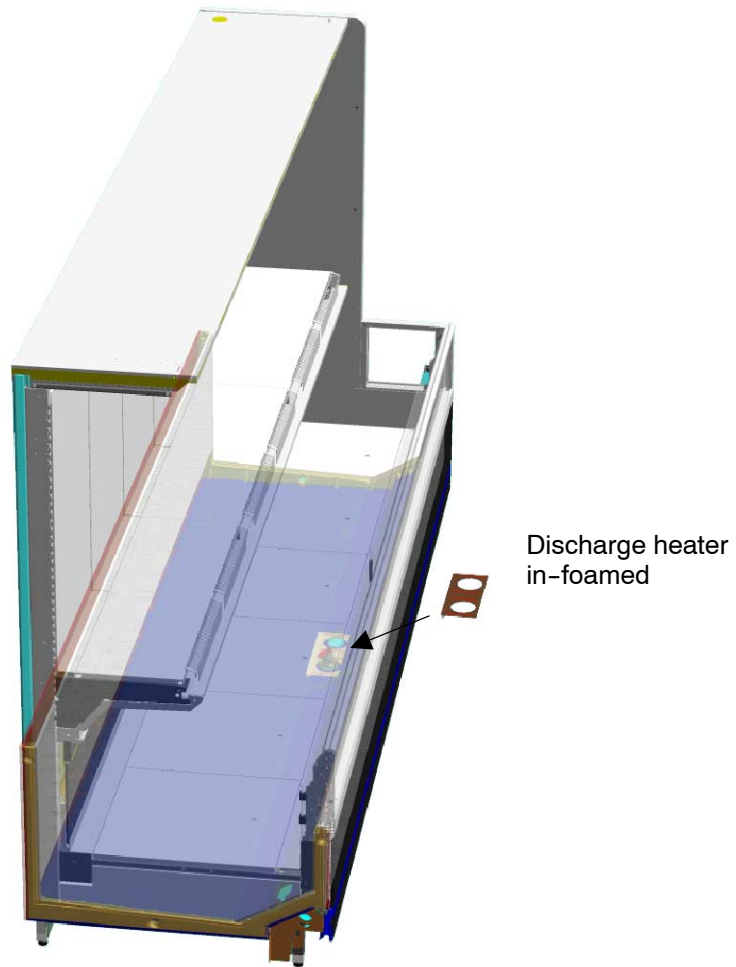
6.2.1.6 Door frame heating



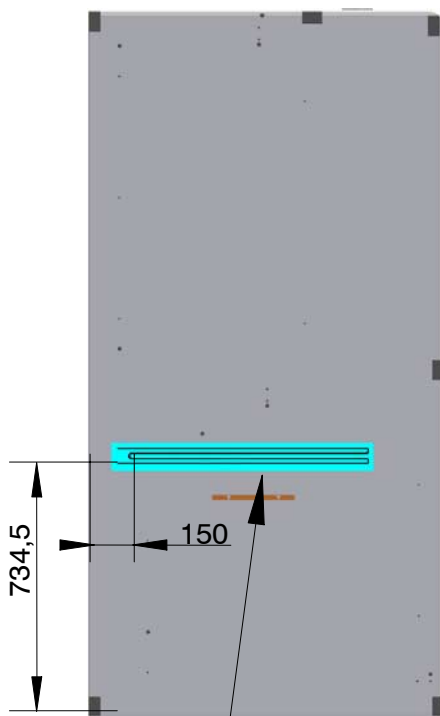
6.2.2 At the carcass frame



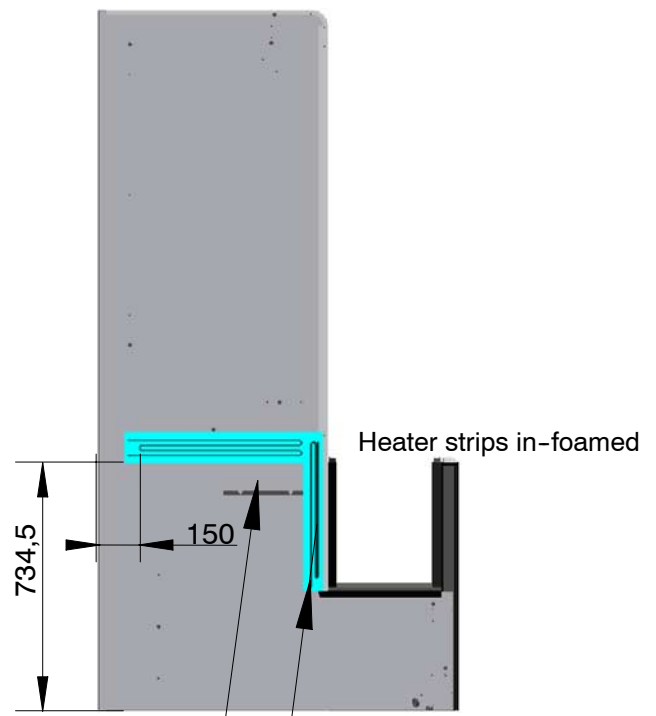
6.2.3 Discharge heater (only A8)



6.2.4 End wall



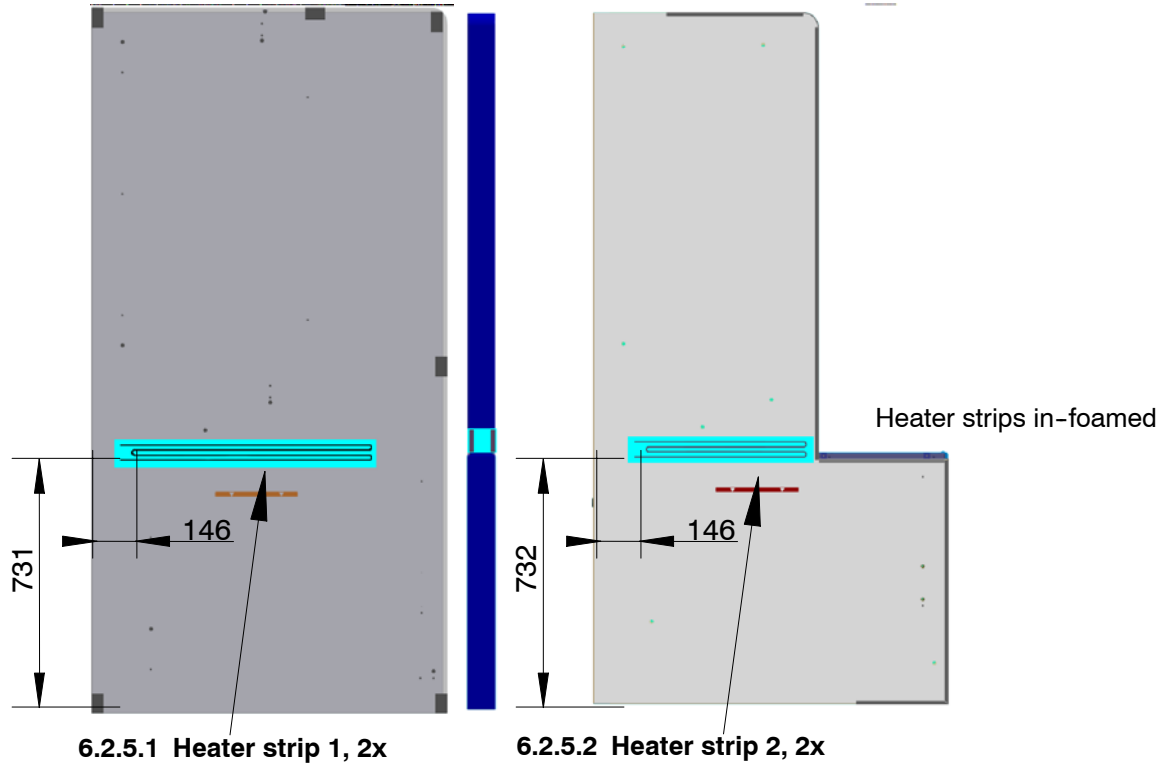
6.2.4.1 Heater strip 1



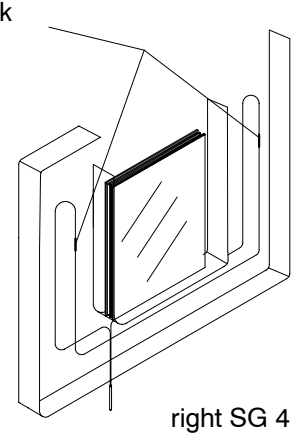
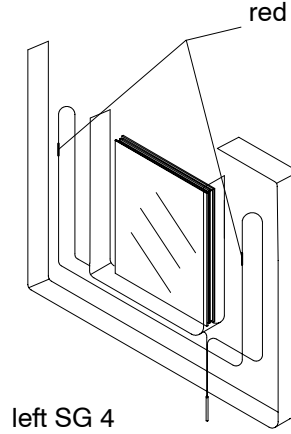
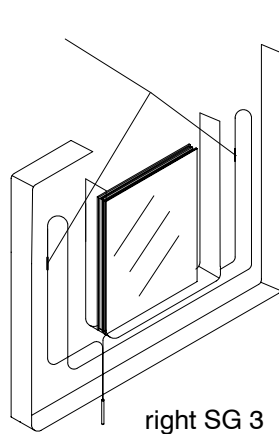
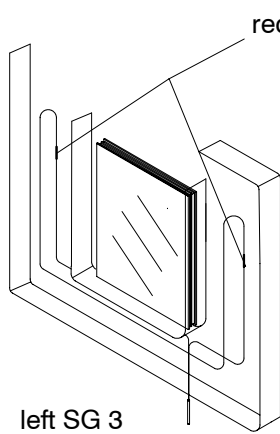
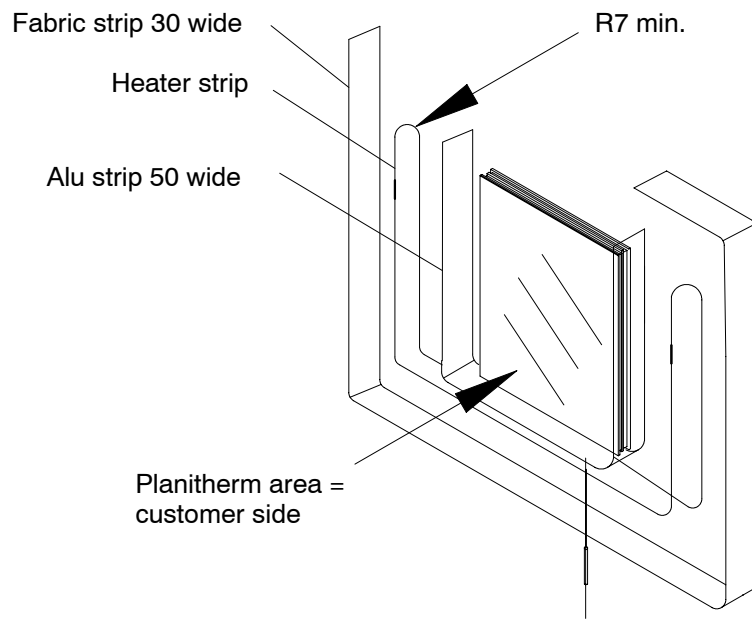
6.2.4.2 Heater strip 2

6.2.4.3 Heater strip 3

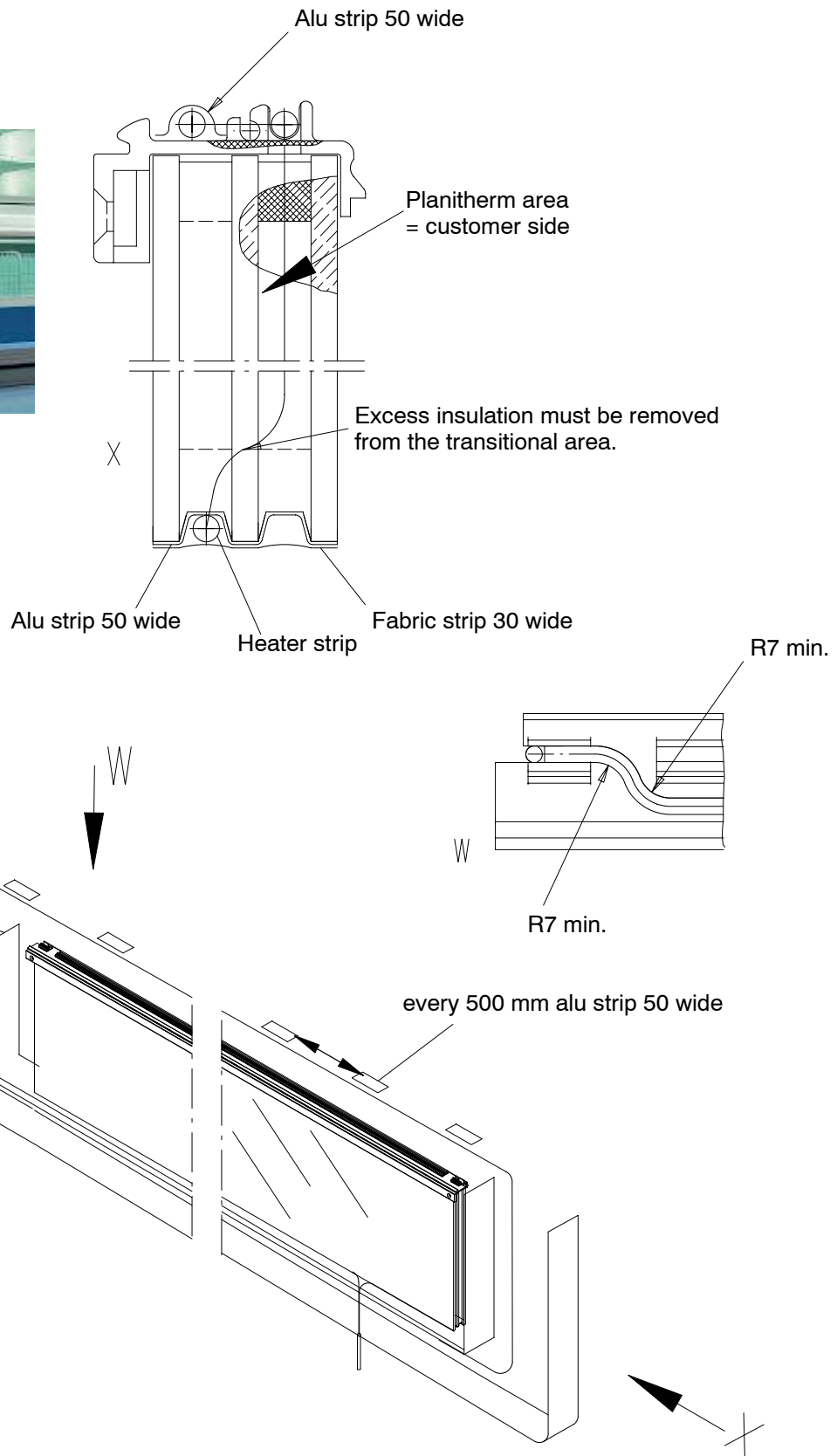
6.2.5 Partition wall Vantis-Vantis



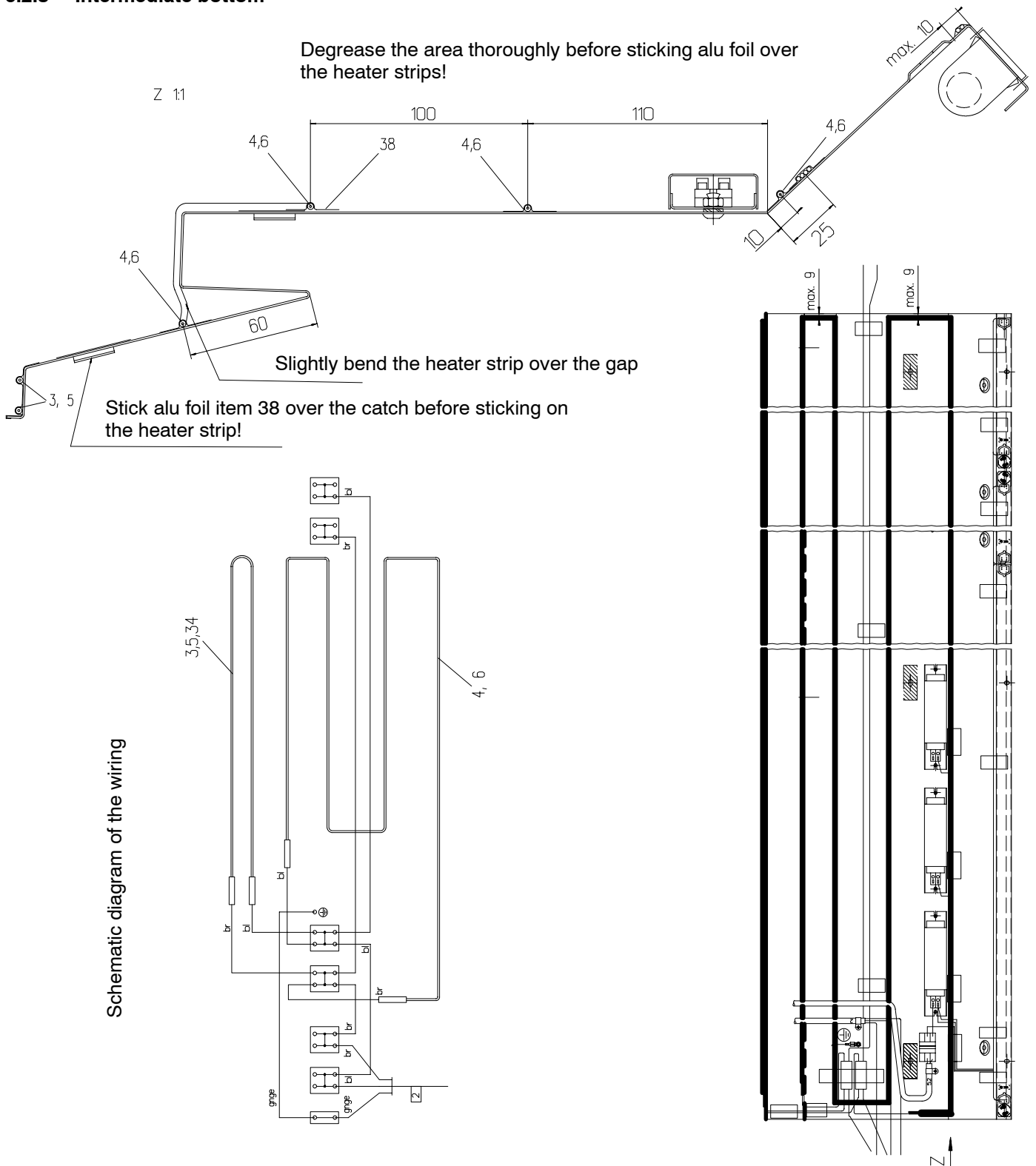
6.2.6 Thermopane glass end wall



6.2.7 Thermopane glass front



6.2.8 Intermediate bottom



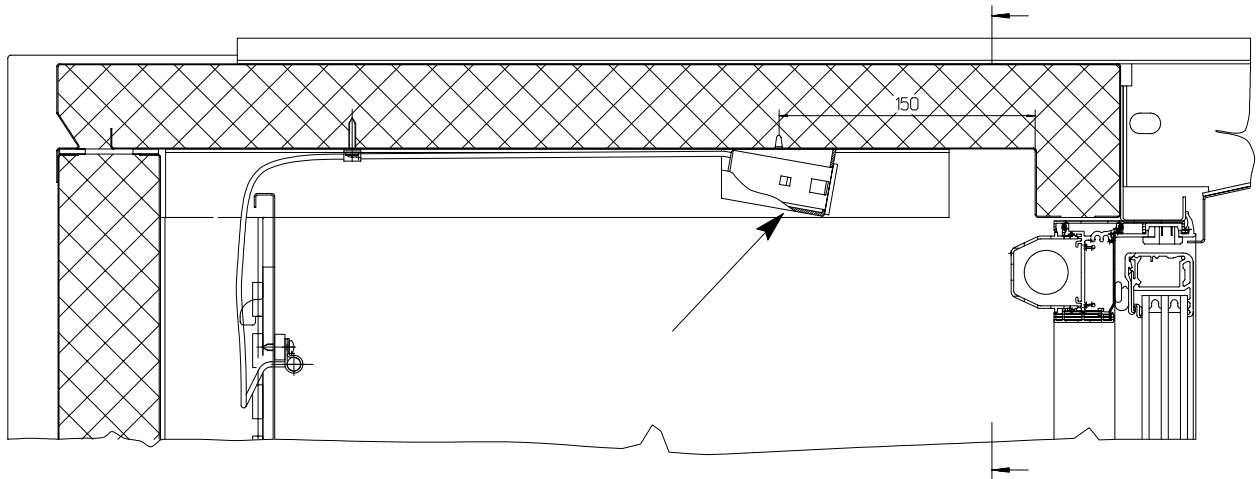
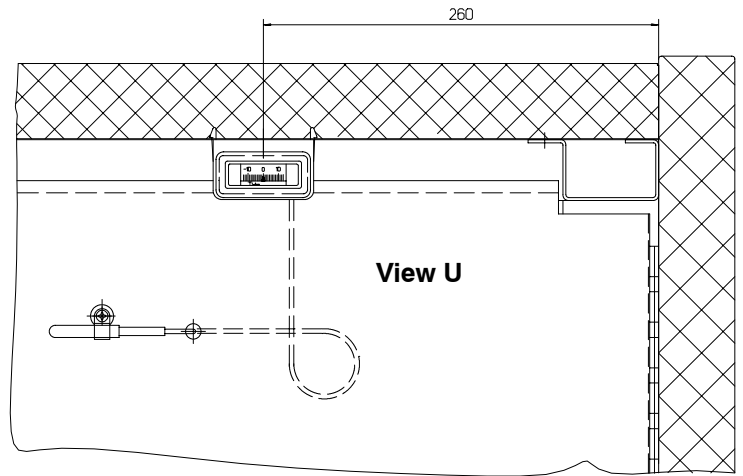
Item	Designation
3/5	6.2.8.1 Heater strip 1
4/6	6.2.8.2 Heater strip 2
38	Self-adhesive alu foil 50 mm wide

6.3 Heating outputs

Heater	Basic lengths						
	188	250	375	188 L	250 L	375 L	
6.1 Defrost heater							
6.1.1 Evaporator							
6.1.1.1 Defrost heating 1	600	800	1200	600	800	1200	
6.1.1.2 Defrost heating 2							
6.1.1.3 Defrost heating 3							
6.1.1.4 Defrost heating 4	250	350	500	250	350	500	
6.1.2 Air inlet							
6.1.2.1 Defrost heating	300	400	600	300	400	600	
6.1.3 Evaporator fan plate							
6.1.3.1 Defrost heating 1	300	350	350	300	350	350	
6.1.3.2 Defrost heating 2	X	X	200	X	X	200	
6.2 Permanent heaters							
6.2.1 Doors and Doorframes							
6.2.1.1 Thermopane glass SG	3x51	4x51	6x51	3x62	4x62	6x62	
6.2.1.2 Thermopane glass SG							
6.2.1.4 Thermopane glass AG	3x60	4x60	4x60	3x73	4x73	6x73	
6.2.1.5 Thermopane glass AG							
6.2.1.6 Doorframe SG/AG	15			16			
6.2.2 Carcass frame							
6.2.2.1 Frame heater 1	200	281	339	215	238	357	
6.2.2.2 Frame heater 2	81	119	196	84	129	239	
6.2.3 Discharge heater (A8)	16						
6.2.4 Endwalls							
6.2.4.1 Heater strip 1(Rectangle)	12						
6.2.4.2 Heater strip 2(glassed)	9						
6.2.4.3 Heater strip 3(glassed)	14						
6.2.5 Partition walls Vantis-Vantis							
6.2.5.1 Heater strip 1(Rectangle)	2x12						
6.2.5.2 Heater strip 2(shaped)	2x9						
6.2.6 Thermopane glass end walls	18						
6.2.6 Thermopane glass front	XG3	59	76	110	59	76	110
	XG4	63	80	113	63	80	113
6.2.8 Intermediate bottom							
6.2.8.1 Heater strip 1	24	36	47	24	36	47	
6.2.8.2 Heater strip 2	73	107	144	73	107	144	

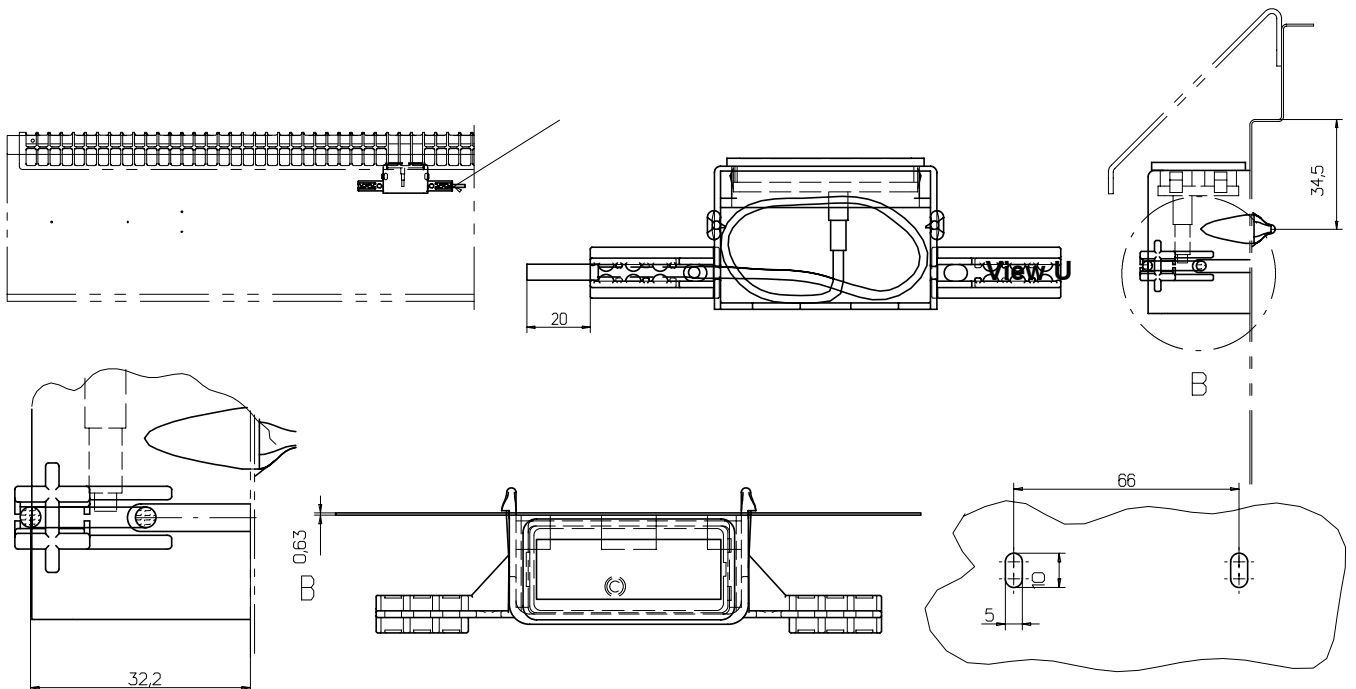
The table shows the heating outputs in Watts for a 230 V - 50/60 Hz connection.

7 Temperature check
7.1 Thermometer top



Thermometer

7.2 Thermometer chest section

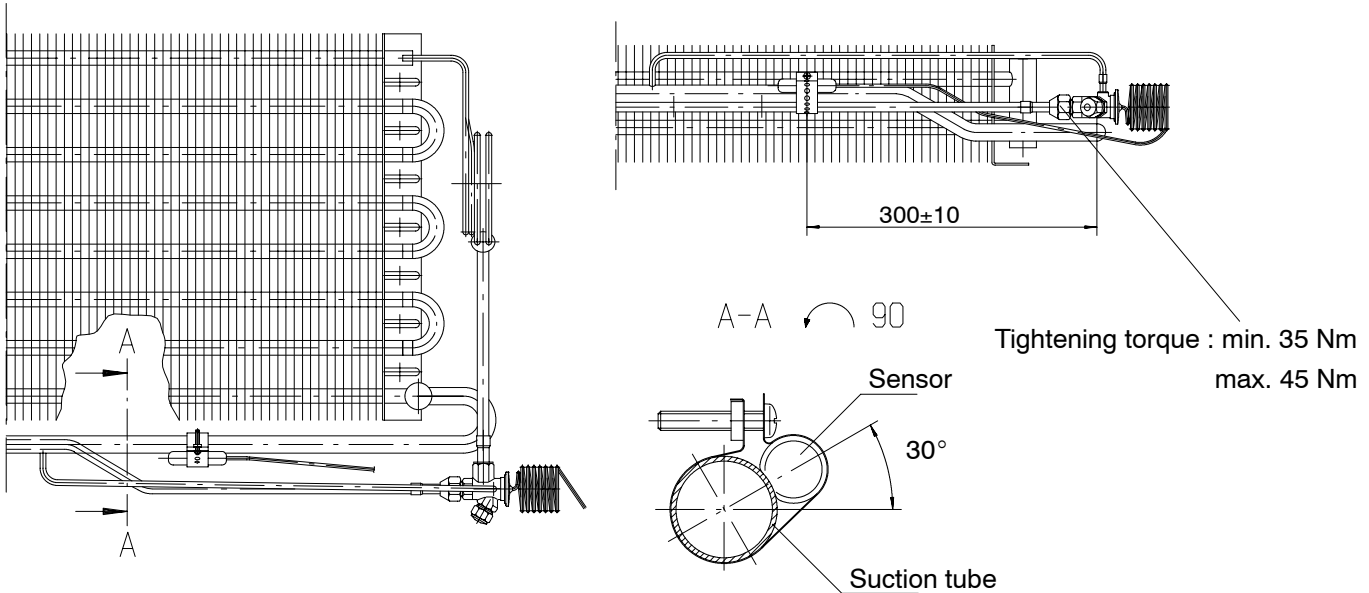


8 Installations

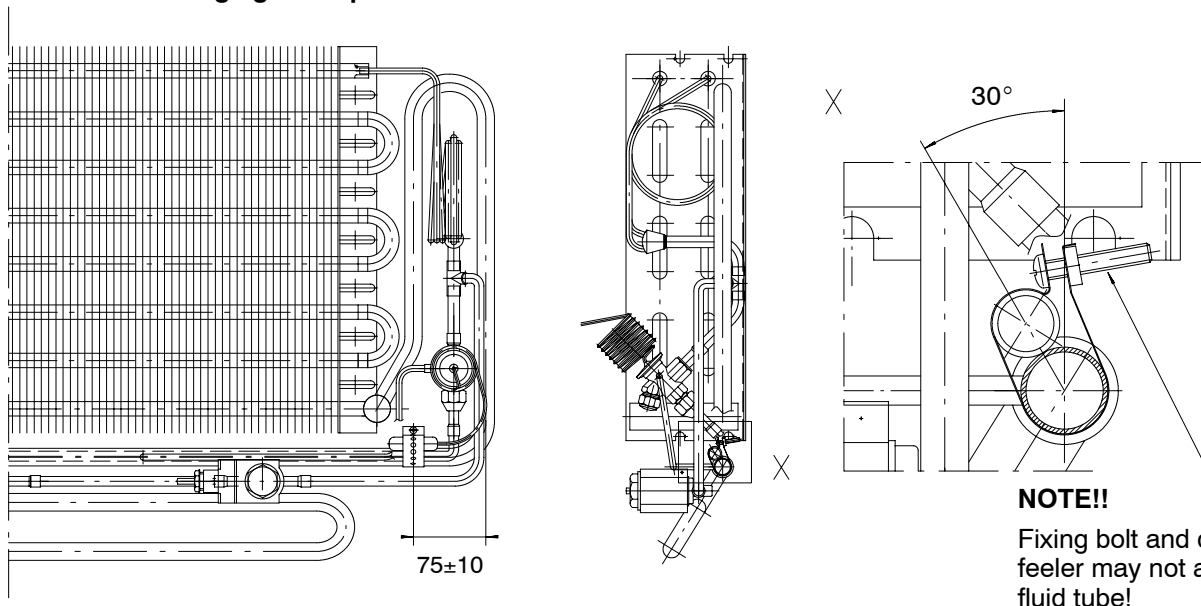
8.1 Expansion valves

8.1.1 Conventional

8.1.1.1 Conventional evaporator



8.1.1.2 Discharge gas evaporator



The sensor of the expansion valve is to be screwed tight onto the suction line using the enclosed stainless bolts, nuts and the perforated strap. (see diagram)

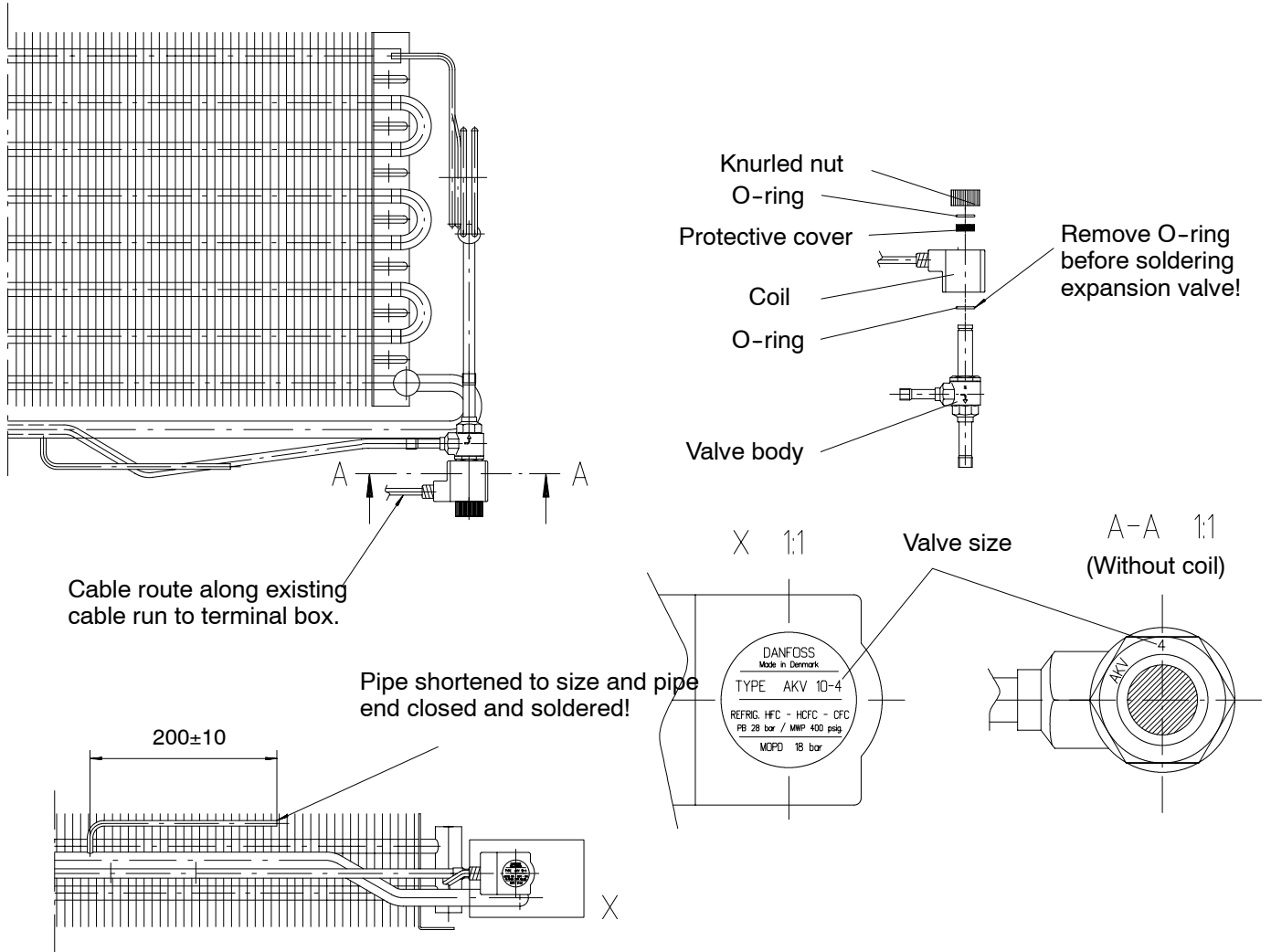
Please make sure that there is a good metallic contact between the sensor and the suction line.

The pressure equalizing line and the capillary tube may not touch either the defrost heaters or the copper tubes.

The distributor head on the distribution line must be vertical.

When fitting the expansion valve, please observe the instructions from the manufacturer as a matter of principle.

8.1.2 Electric



Cable route along existing cable run to terminal box.

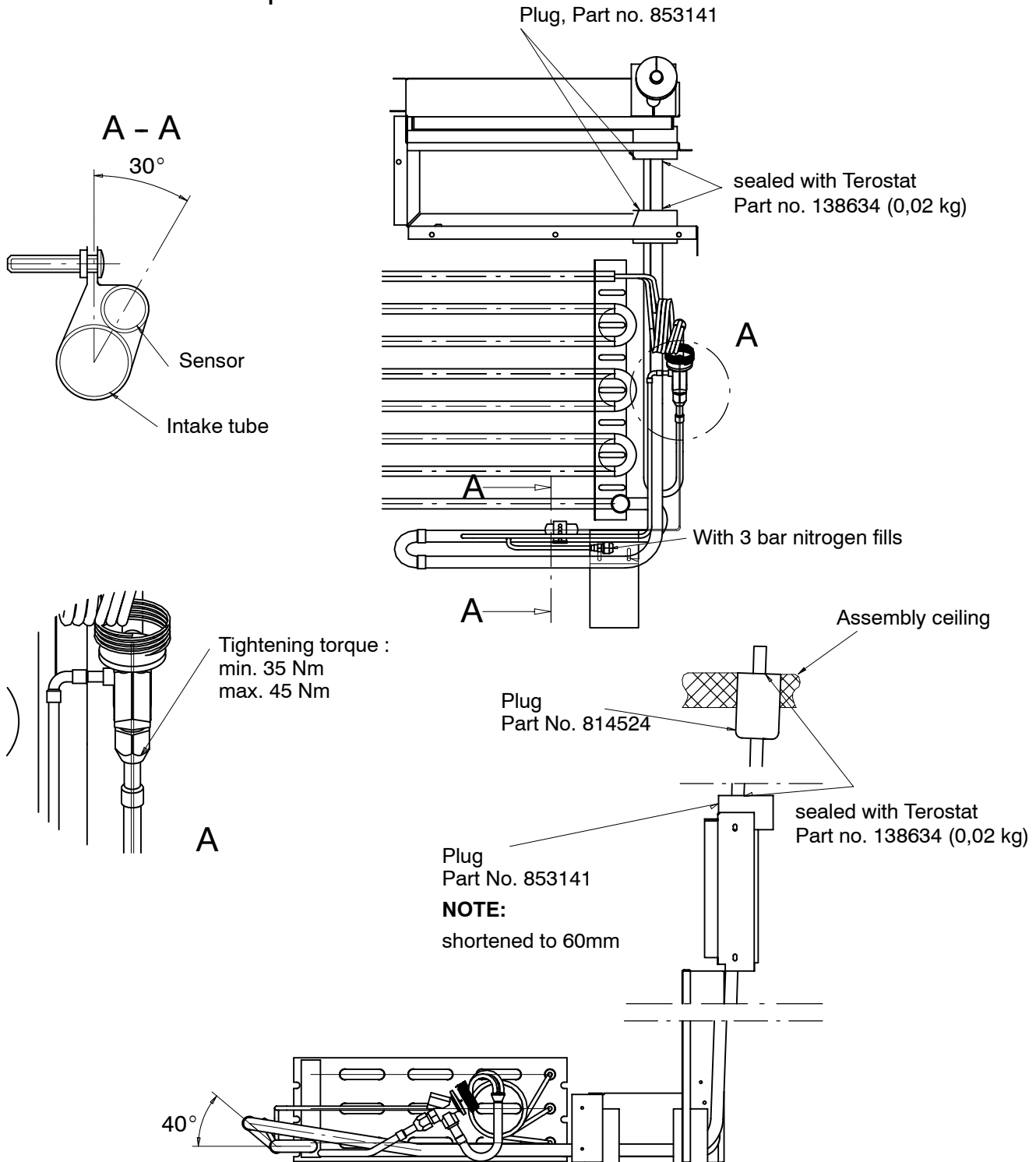
Pipe shortened to size and pipe end closed and soldered!

200±10

The distributor head on the distribution pipe must be vertical.
 When fitting the expansion valve, please observe the instructions from the manufacturer as a matter of principle.

8.2 Evaporator tube pointed upwards

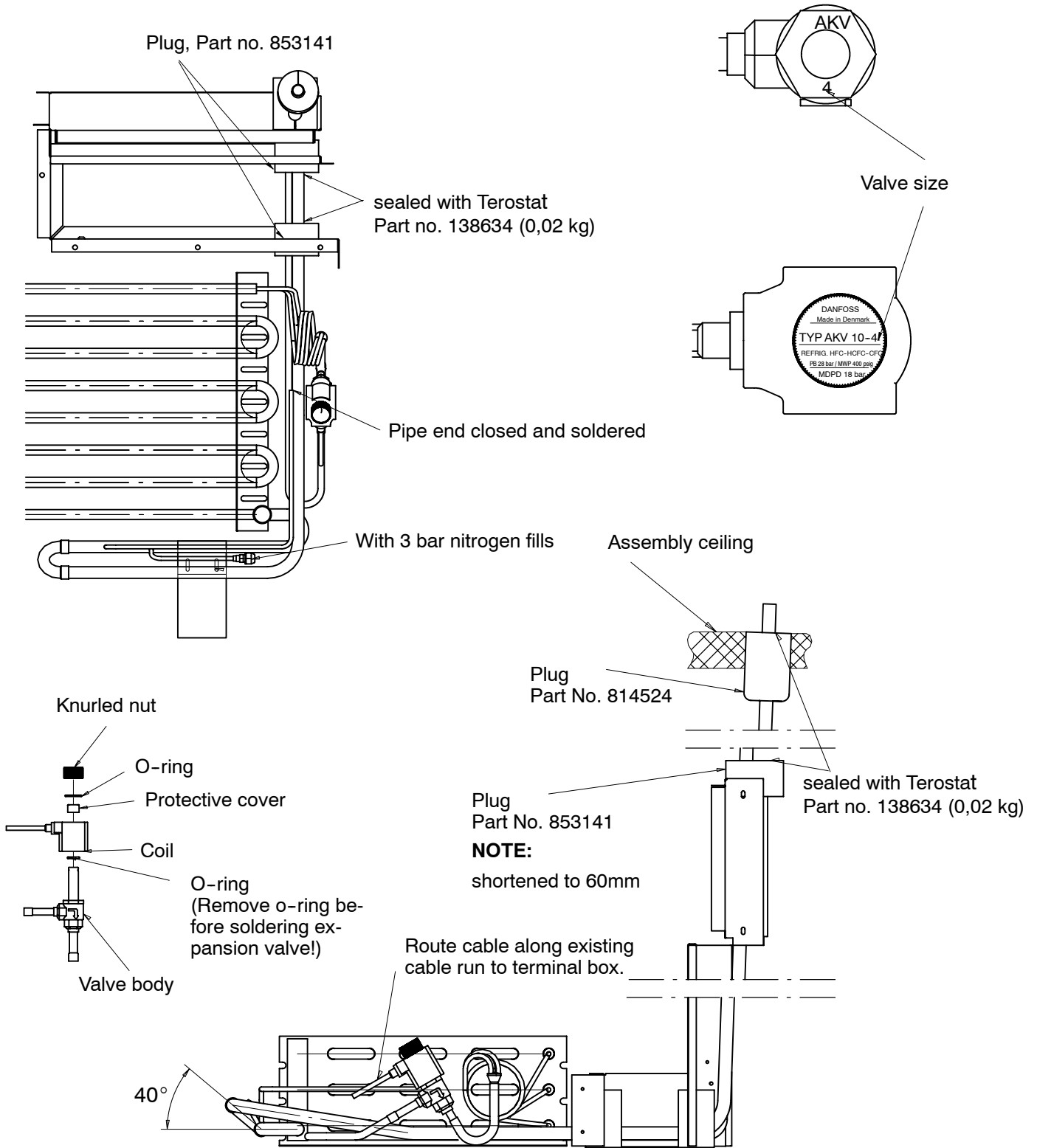
8.2.1 with conventional expansion valve



When assembling the e-valve the following points are to be considered:

- The sensor of the expansion valve is to be screwed tight onto the suction line using the enclosed stainless bolts, nuts and the perforated strap. (see diagram)
- Please make sure that there is a good metallic contact between the sensor and the suction line.
- The pressure equalizing line and the capillary tube may not touch either the defrost heaters or the copper tubes.
- The distributor head on the distribution line must be vertical.
- When fitting the expansion valve, please observe the instructions from the manufacturer as a matter of principle.

8.2.2 with electrical e-valve

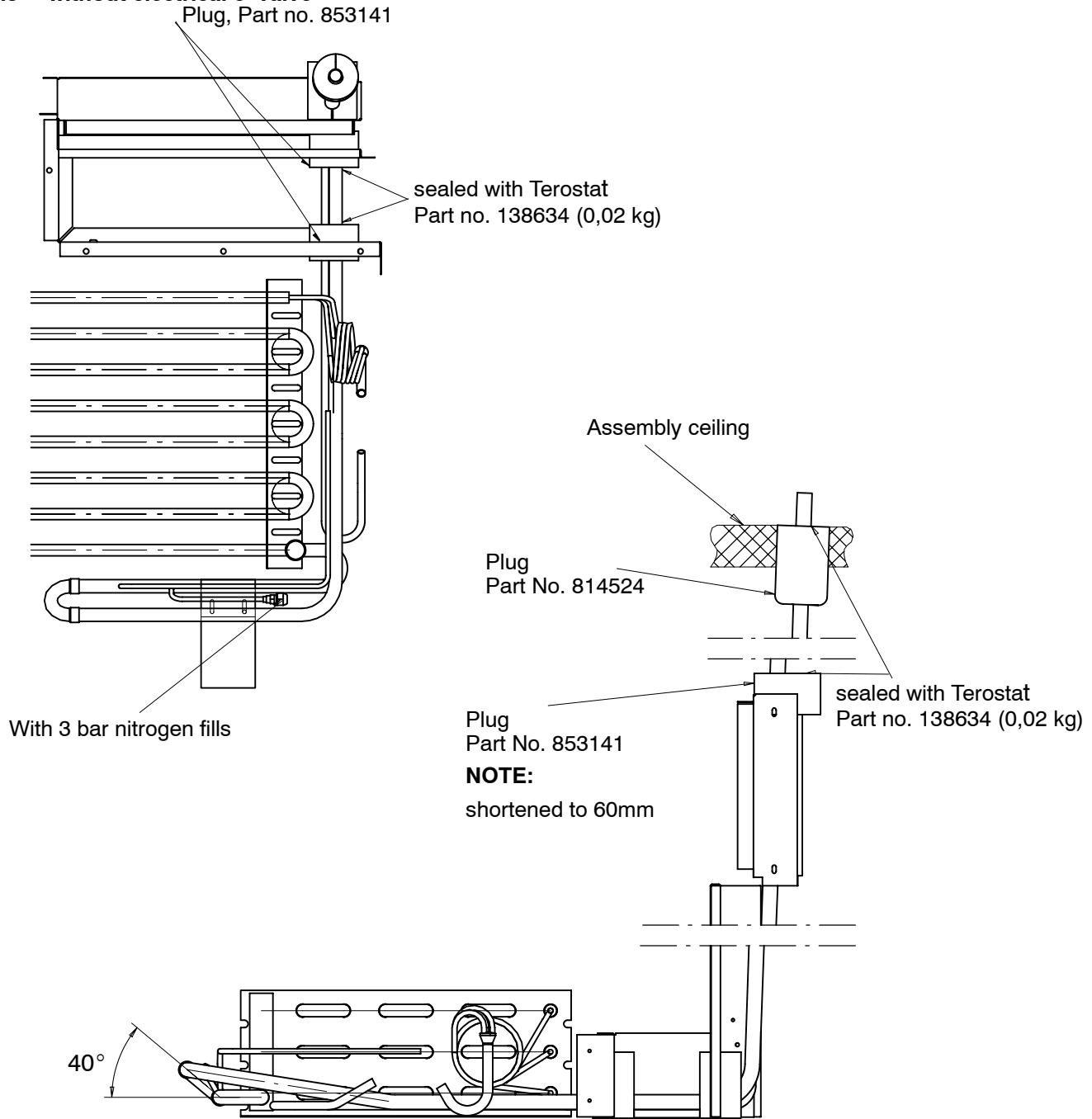


When assembling the e-valve the following points are to be considered:

The distributor head on the distribution pipe must be vertical.

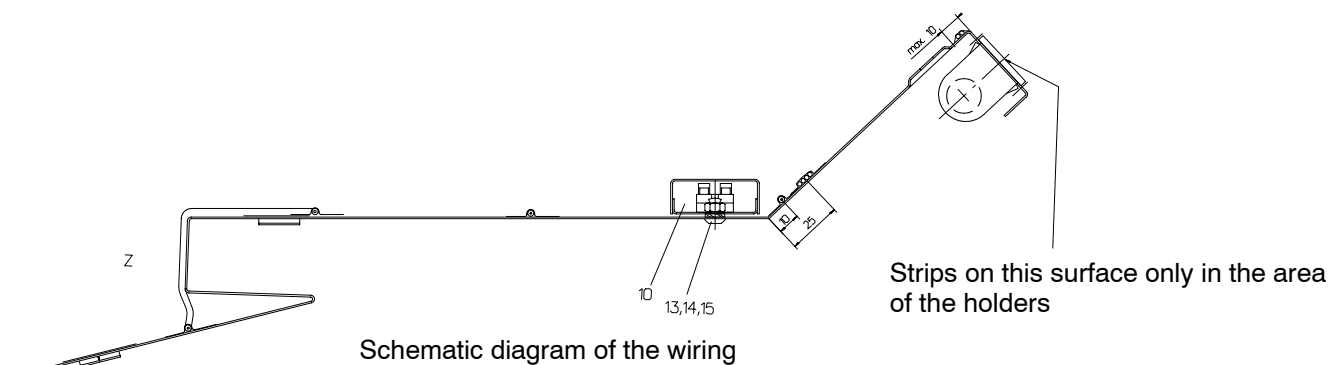
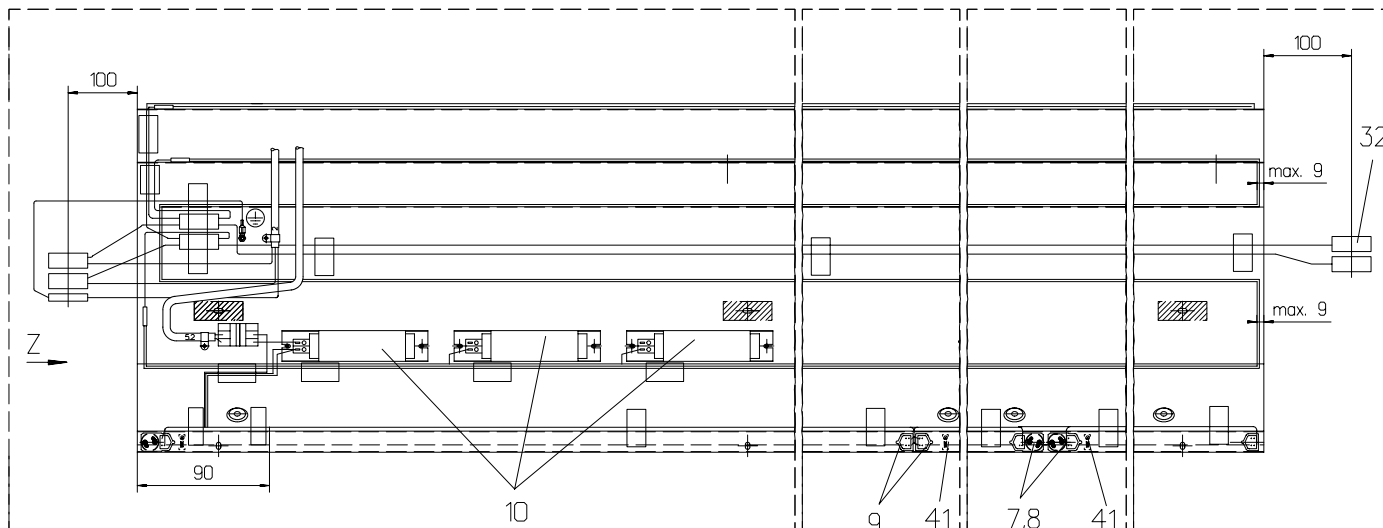
When fitting the electric valve, please observe the instructions from the manufacturer as a matter of principle.

8.2.3 without electrical e-valve



8.3 Lighting

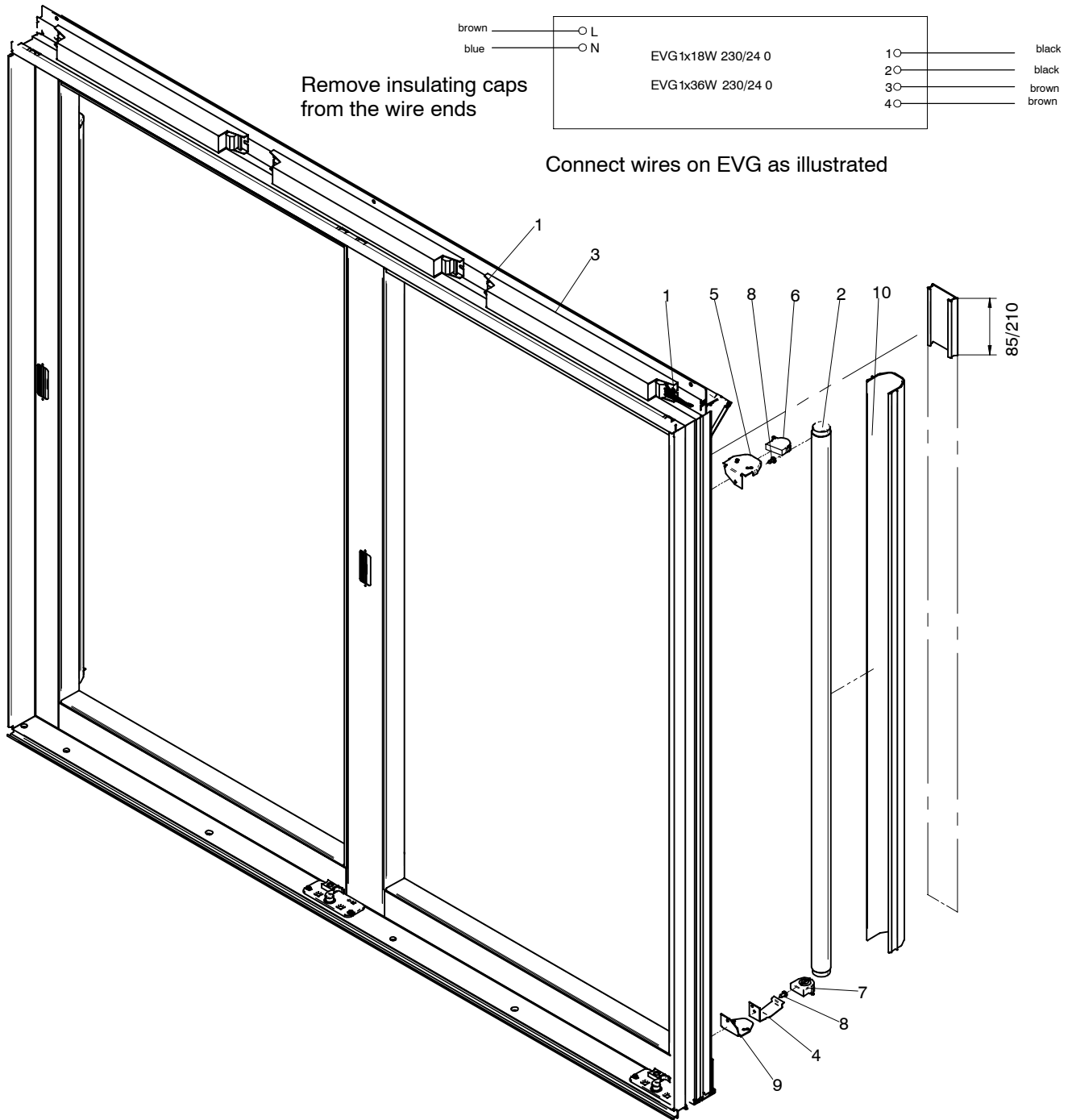
8.3.1 Intermediate bottom



8.3.1.1 Parts list, Lighting intermediate bottom

Item	Designation	Part No.	Item	Designation	Part No.
7	Holder with starter support	459446	24	Cable H 05 V-U 1.0 br 350 lg	434250
8	Starter	407621	25	Cable H 05 V-U 1.0 bl 200 lg	408405
9	Holder	408839	26	Cable H 05 V-U 1.0 br 200 lg	408404
10	Choke 36W / Hz	376104	27	Cable H 05 V-U 1.0 vi 1500 lg	802516
13	Rivet K 4.0 (7,0-8,6) 12.1	153175	28	Cable H 05 V-U 1.0 vi 3000 lg	819089
14	Washer A 4.3-FSt-A2F	135176	29	Cable H 05 V-U 1.0 vi 4500 lg	819090
15	Nut M5-8-A2F DIN 934	101935	33	Plug "1X4-1X7" -3pol./S	879407
22	Cable H 05 V-U 1.0 bk 1300 lg	145465	35	Cable for lighting Nr. 5.2	882602
23	Cable H 05 V-U 1.0 bl 1400 lg	454149			

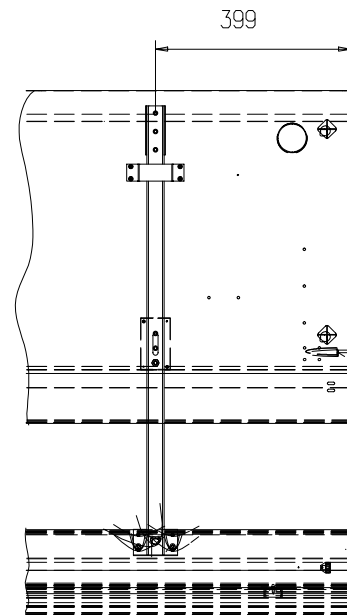
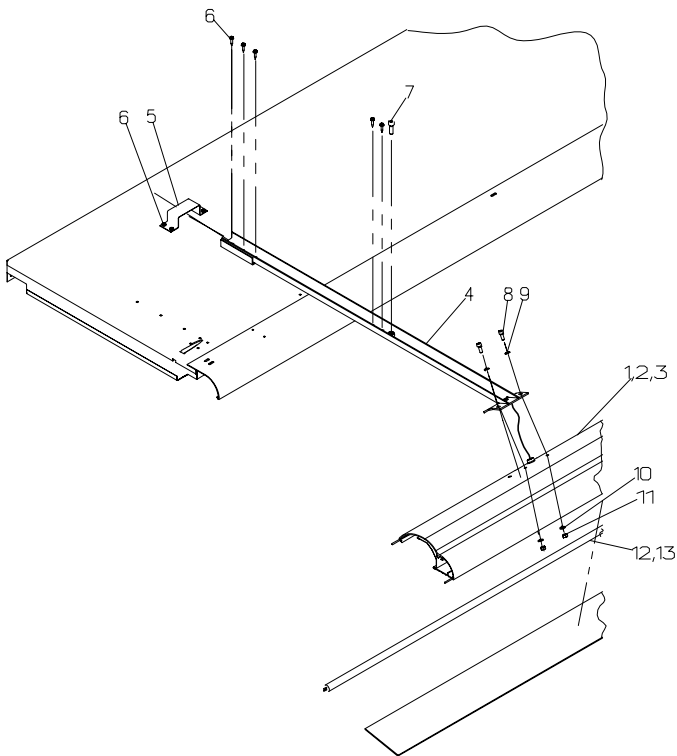
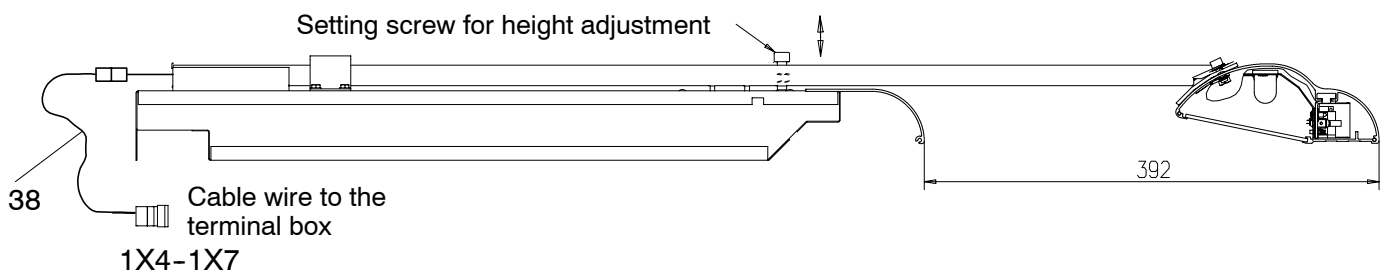
8.3.2 Auxiliary lighting right end wall

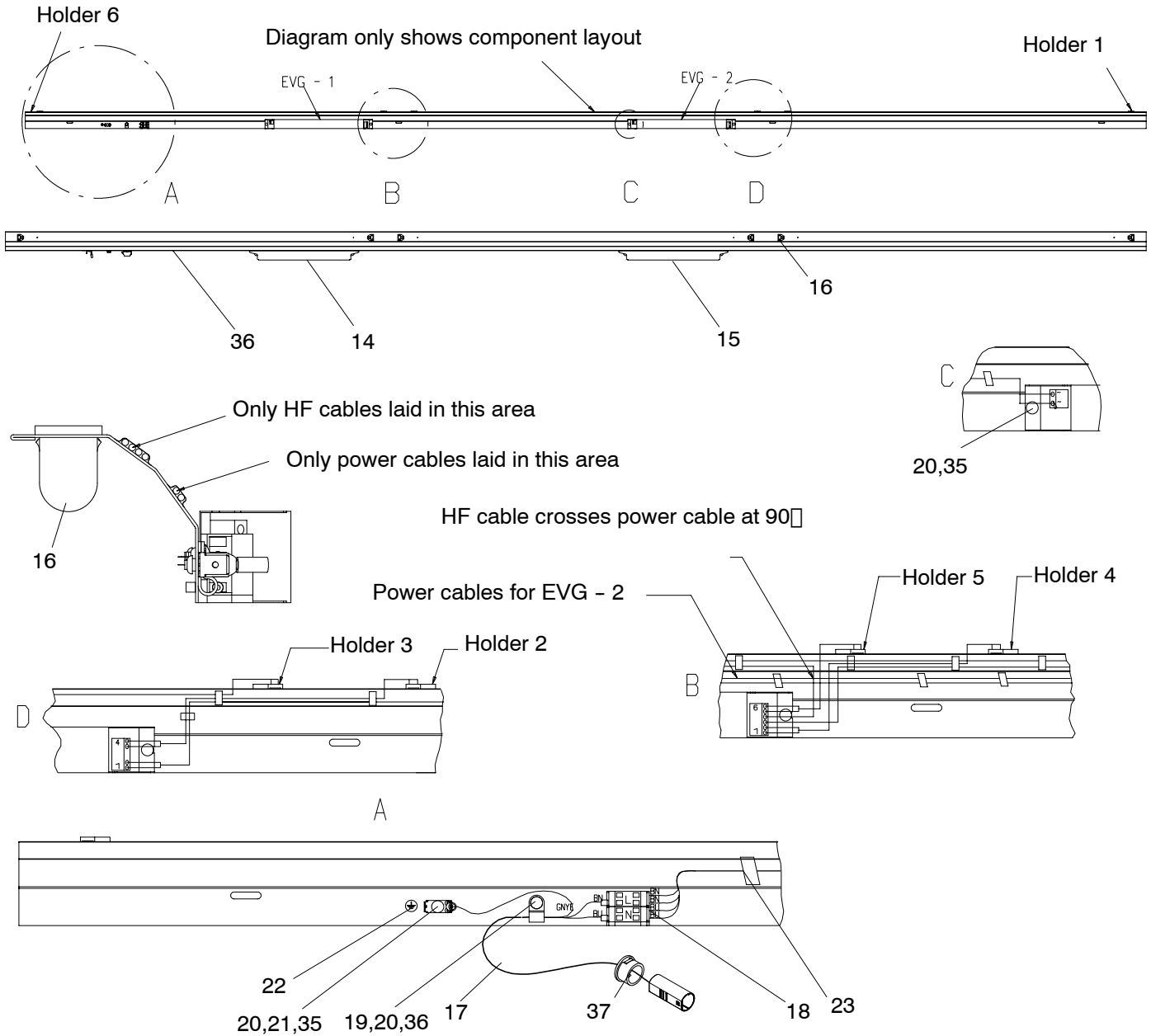


8.3.2.1 Parts list, Auxiliary lighting right end wall

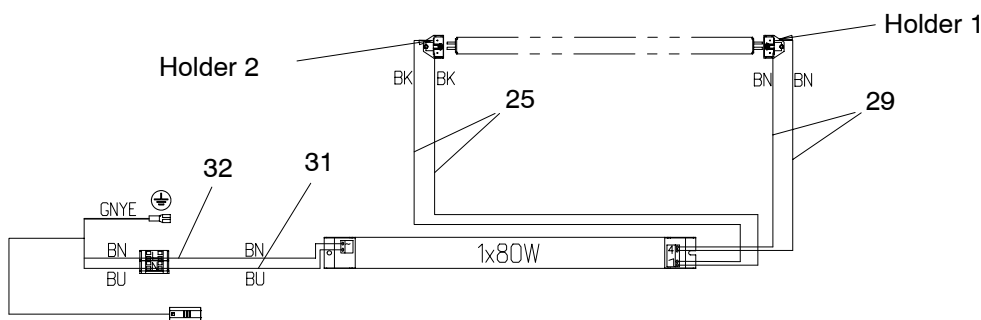
Item	Designation	Part No.	Item	Designation	Part No.
1	Screw St3.9x9.5-C-H	135169	6	Holder G13 with spring	883336
2	L.R.Osr.30W/UW 895/26 L.R.Osr.18W/UW 590/26	L 458089 384158	7	Holder G13 without spring	883335
3	EVG HF-P 136LTD 1x36 230V EVG 1x18W 230-240	L 883337 836053	8	Screw	378192
4	Retainer spring illumination panel	813365	9	Mounting bracket, bottom	378191
5	Mounting bracket, top	378190	10	Lighting canopy, 920 mm, 30W Lighting canopy, 618 mm, 18W	L 873228 853680

8.3.3 Auxiliary lighting external head



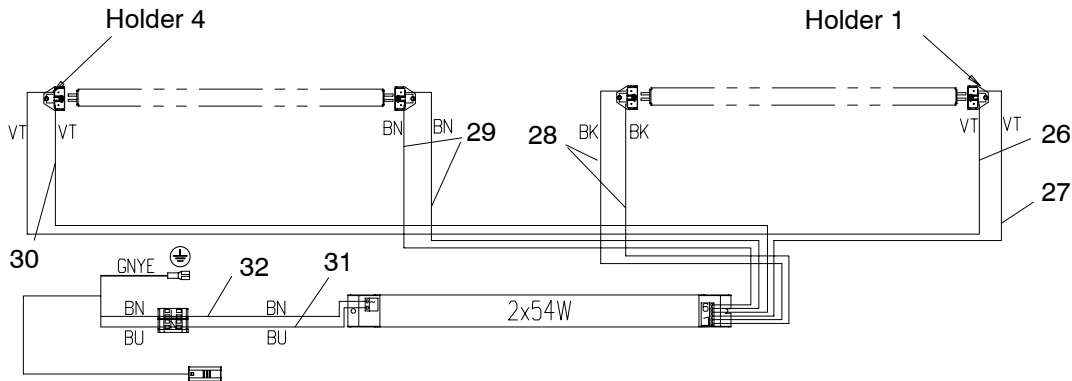


8.3.3.1 Schematic diagram of the wiring 188

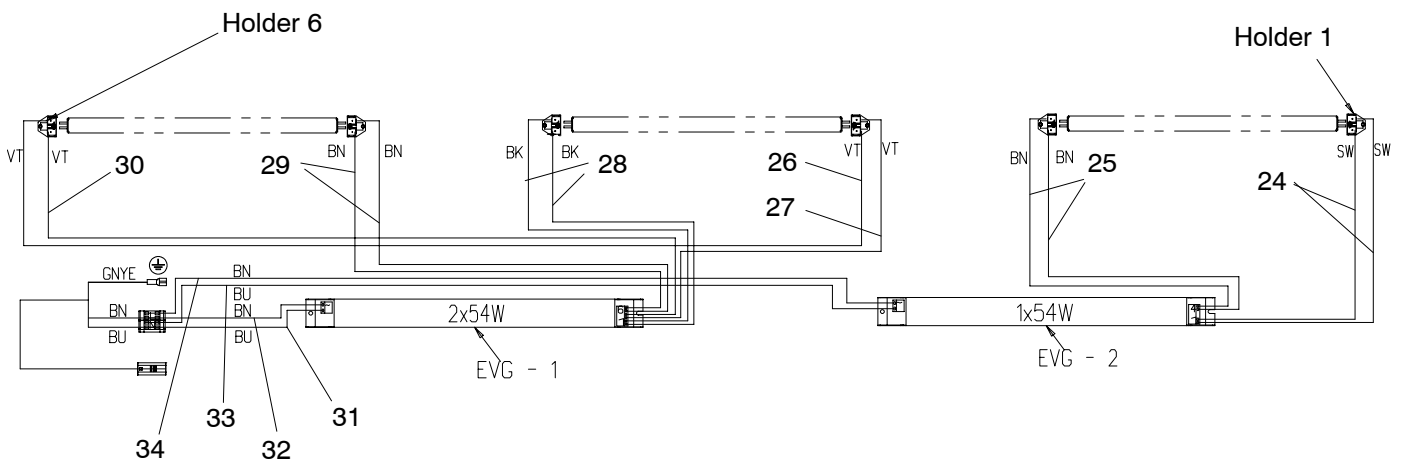


Colour	Code
black	BK
white	WH
blue	BU
orange	OG
brown	BN
green	GN
violet	VT
red	RD
yellow	YE
grey	GY
green-yellow	GNYE

8.3.3.3 Schematic diagram of the wiring 250



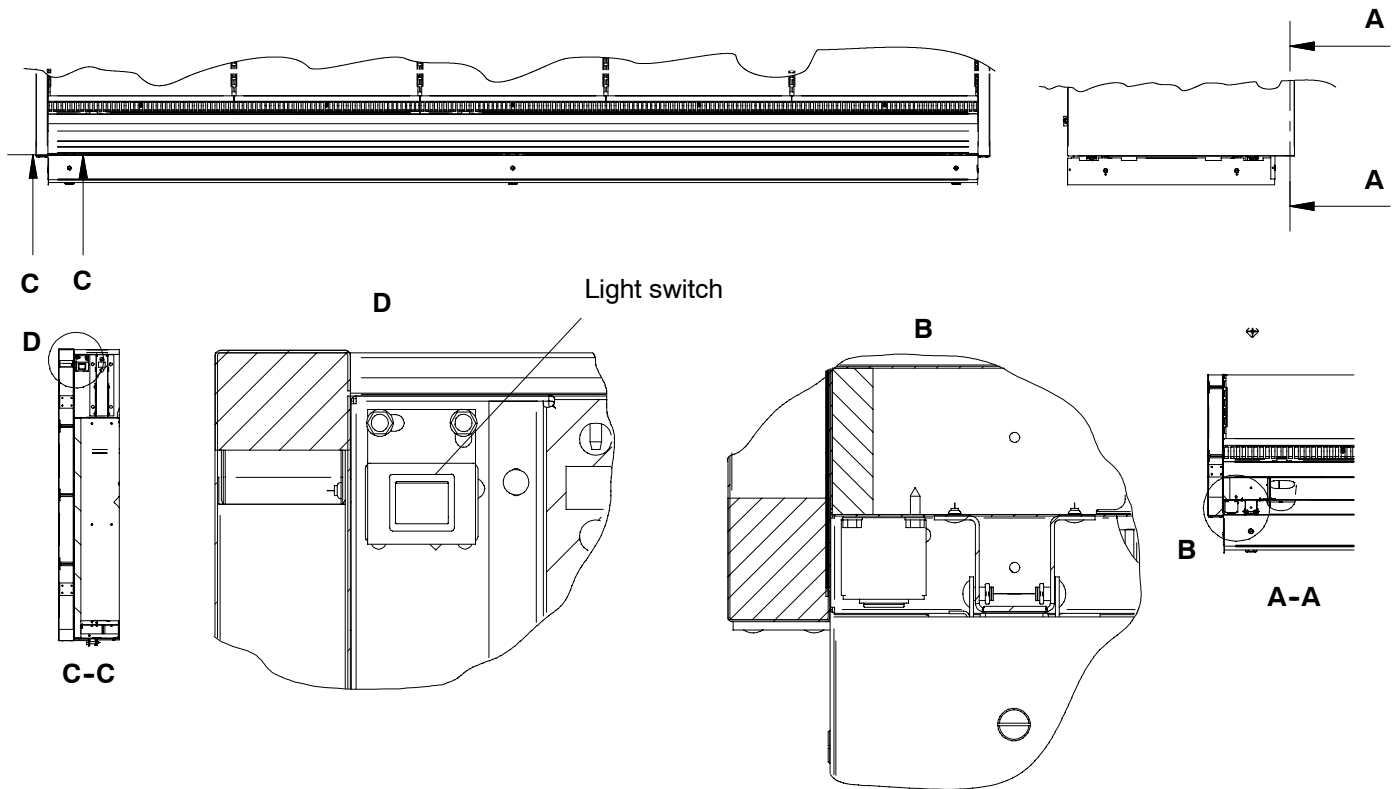
8.3.3.2 Schematic diagram of the wiring 375



8.3.3.4 Parts list auxiliary lighting external head

Item	Designation	Part No.	Item	Designation	Part No.
1	Lighting 188	884924	20	Washer A4,3	135176
2	Lighting 250	884925	21	Flate plug 6,3	464639
3	Lighting 375	884926	22	Adhesive label Earth symbol	134655
4	Profiled rail with support	884920	23	Adhesive tape 30BR.GR	805205
5	Holder	886447	24	Cable H05V-U 1,0 bk 1450 LG.	434245
6	Hexagon head tapping screw M4x20	807378	25	Cable H05V-U 1,0 bn 300 LG.	434249
7	Screw M8x25	108591	26	Cable H05V-U 1,0 vt 2600 LG.	802520
8	Screw M8x16	488799	27	Cable H05V-U 1,0 vt 1400 LG.	812254
9	Springwasher	102266	28	Cable H05V-U 1,0 bk 300 LG.	434261
10	Washer 6,4-ST	135173	29	Cable H05V-U 1,0 bn 160 LG.	434248
11	Nut M6	101936	30	Cable H05V-U 1,0 vt 1150 LG.	455308
12	Fluorescent tube 54W	250 375	31	Cable H05V-U 1,0 bu 500 LG.	434227
13	Fluorescent tube 80W	188	32	Cable H05V-U 1,0 bn 500 LG.	812018
14	EVG 1X80W 230-240V	375 188	33	Cable H05V-U 1,0 bu 1750 LG.	454151
15	EVG 2X54W 230/240V	375 255	34	Cable H05V-U 1,0 bn 1750 LG.	454147
16	Holder T5 25MM	862466	35	Rivet B4,0	143258
17	Cable with plug	884490	36	Lighting rail	375 884193 250 884191 188 884189
18	Terminal strip	474815	37	Cable bushing	821367
19	Cable clip H2P	408501	38	Cable with plug	884488

8.3.4 Light switch



8.4 Electric pack and electric installation

8.4.1 Safety information

The printed conductors carry system voltage. The green foil on the printed conductors is not an insulating layer. The connectors must not be removed or plugged in when voltage is applied. When working on the printed circuit board, it must be ensured that no voltage is present.

Failure to observe the above can be dangerous!

The current rating of the connector must not exceed 15A ! The printed circuit board must be protected against fouling and moisture. It must be ensured that direct contact with the distributor board is impossible by providing a cover!

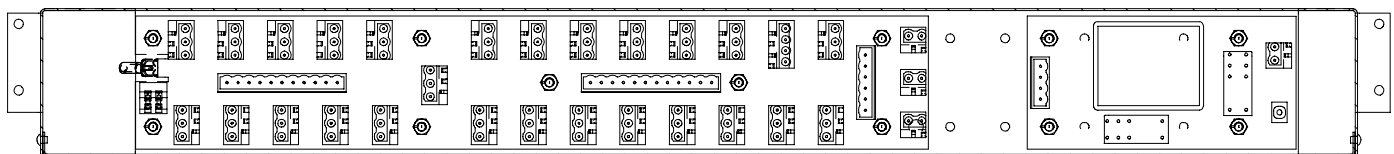
8.4.2 Fuse

The fuses are located in the electrical pack.

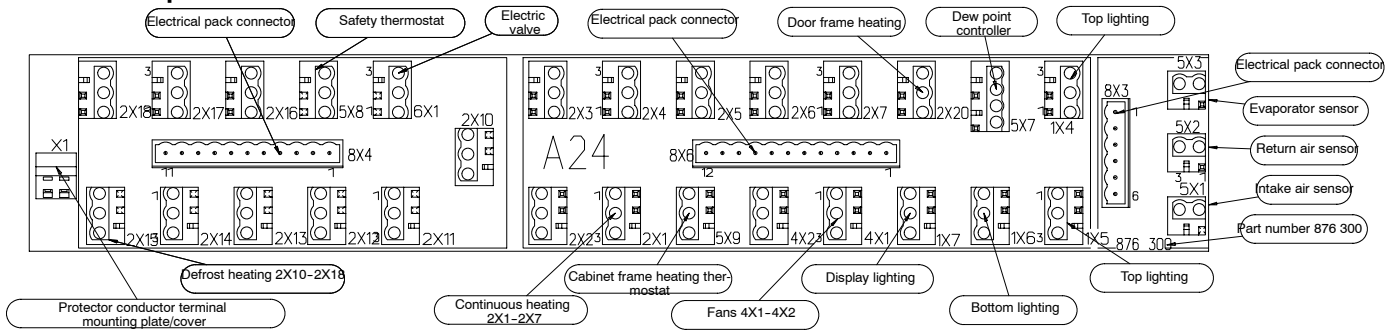
8.4.3 Terminal box

Main printed circuit board A24

Dew point controller A15



8.4.4 Main printed circuit board A24



8.4.4.1 Function

A24 basic PCB is used for connection of all electrical loads such as motors, heaters, sensors, dew point controllers and the like on low-temperature display cases. It provides interlinking as well as connection to the electrical pack. Plugs on the PCB are labelled (e.g. 2X1). Connecting plugs on the electrical loads are also labelled, enabling components to be connected to the distribution board without need for a circuit or connection diagram.

Plug assignments are fixed. Electrical loads may only be connected at the respectively intended points. Varying assignment of plugs is not allowed.

8.4.4.2 Pin assignments

X	General connector designation	5X	Temperature sensor, safety thermostat
1X	Lighting (top, shelf, display, handrail, etc.)	6X	Electric valve
2X	Heating (continuous, defrost, cabinet frame, etc.)	7X	Additional modules
3X	Cooling area (compressor, etc.)	8X	from / to / in electrical pack, to next A23
4X	Fan (motor, motor reactor, etc.)	9X	Roller blind control

8.4.4.3 Pin assignments

X1	Protective conductor, mounting plate / cover	5X2	Return air sensor
1X4	Top lighting	5X3	Evaporator sensor
1X5	Lighting, top	5X7	Dew point controller
1X6	Lighting, bottom	5X8	Safety thermostat
1X7	Display lighting	5X9	Cabinet frame heating thermostat
2X1 – 2X7	Continuous heating	6X1	Electric valve
2X10 – 2X18	Defrost heating	8X3	from / to electrical pack (only sensor connection)
2X20	Door frame heating	8X4	from / to electrical pack
4X1 – 4X2	Fans	8X6	from / to electrical pack
5X1	Intake air sensor		

8.4.5 Dew point controller A15

8.4.5.1 Function

When the glass doors become covered in moisture (defrosting), the dew point controller A15 receives a signal via the connected sensor, the cabinet frame heating is switched on. The sensor status is not scanned continuously, but at 45 second intervals.

The switch 5S1 has three function settings:

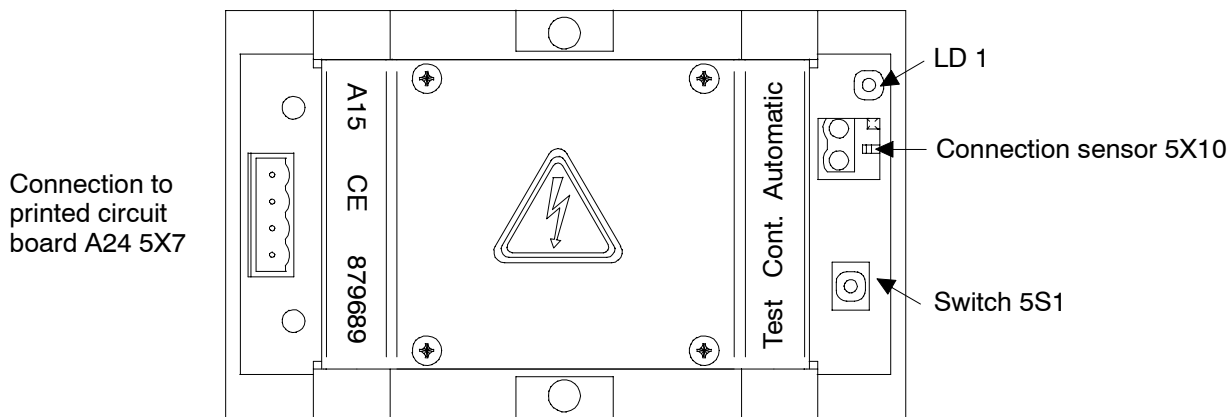
Right switch position: Automatic operation. The heating is automatically switched on when the sensor detects moisture.

Centre switch position: Continuos operation. The heating is switched on continuously (service operation).

Left switch position (button): Test. The heating is only switched on when the button is actuated.

8.4.5.2 Type

The dew point controller A15 is available in two different types. As a AL. printed circuit board, it is part of a complete control and is seated together with other printed circuit board in a metal housing. As a Mod. (Module) printed circuit board, the same control is seated in a plastic housing, which is attached to a mounting rail.



Dew point controller on printed circuit board A15

8.4.5.3 Pin assignments

5X7 Connection to distribution circuit board A24

5X10 Connection to dew point sensor

8.4.5.4 Switch

5S1 This switch has three function settings.
Description, see above.

8.4.5.5 Display

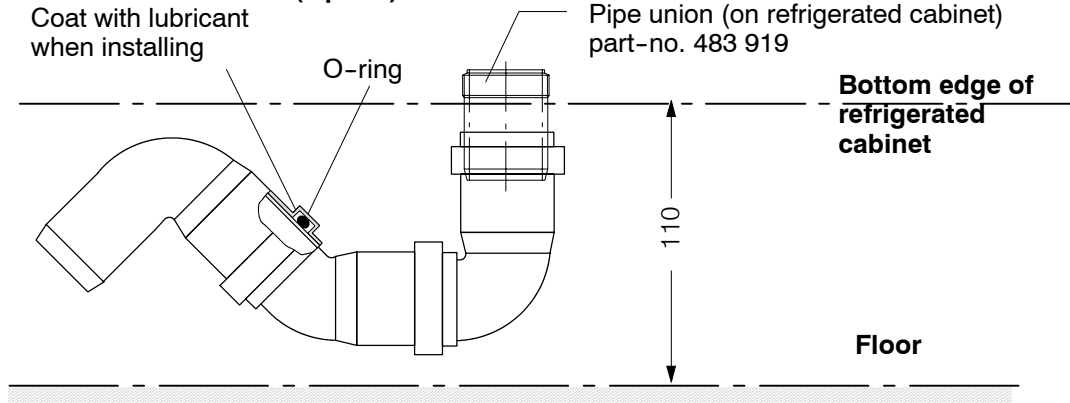
LD1 This LED lights up when the sensor detects moisture and the control scans the sensor status.

8.5 Refrigerant pipes

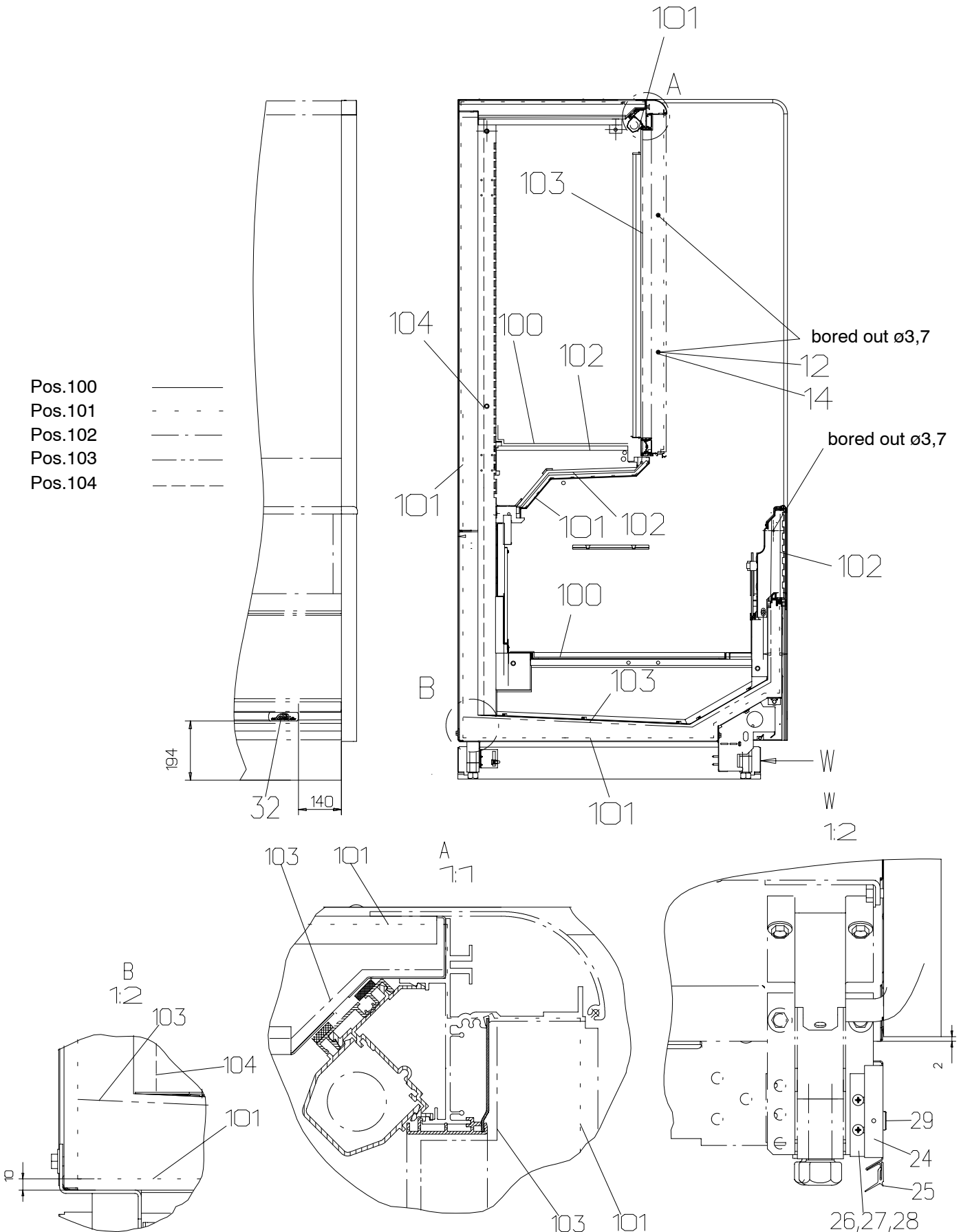
The refrigerant pipes must be routed as shown in the pipe drawing. Dimensioning of the connecting pipes depends on the motor compressor unit used and is shown in the separate installation material parts list. The prescribed drier and sight-glass must be installed in the refrigerant pipe.

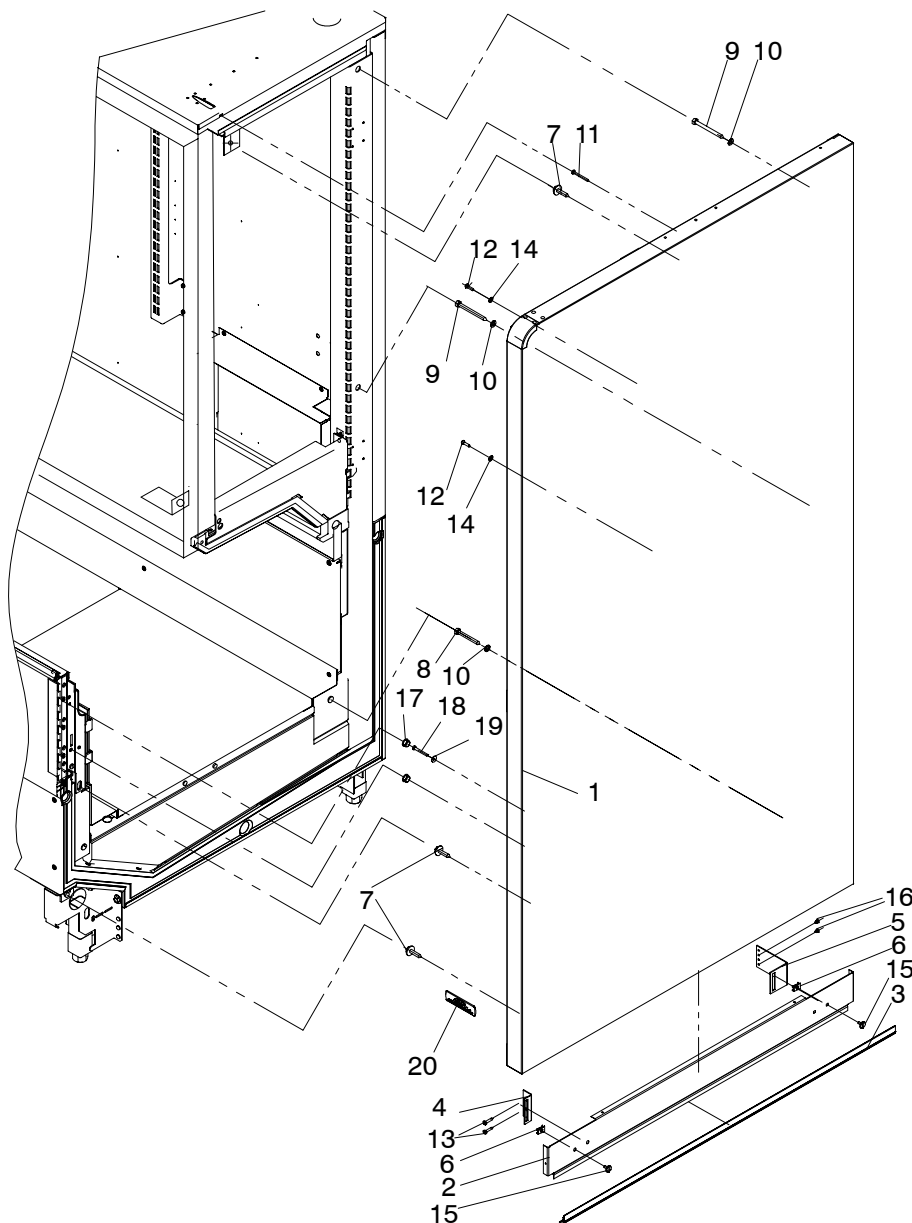
8.6 Outlet combination (siphon)

Coat with lubricant
when installing



8.7 End walls
8.7.1 Rectangle

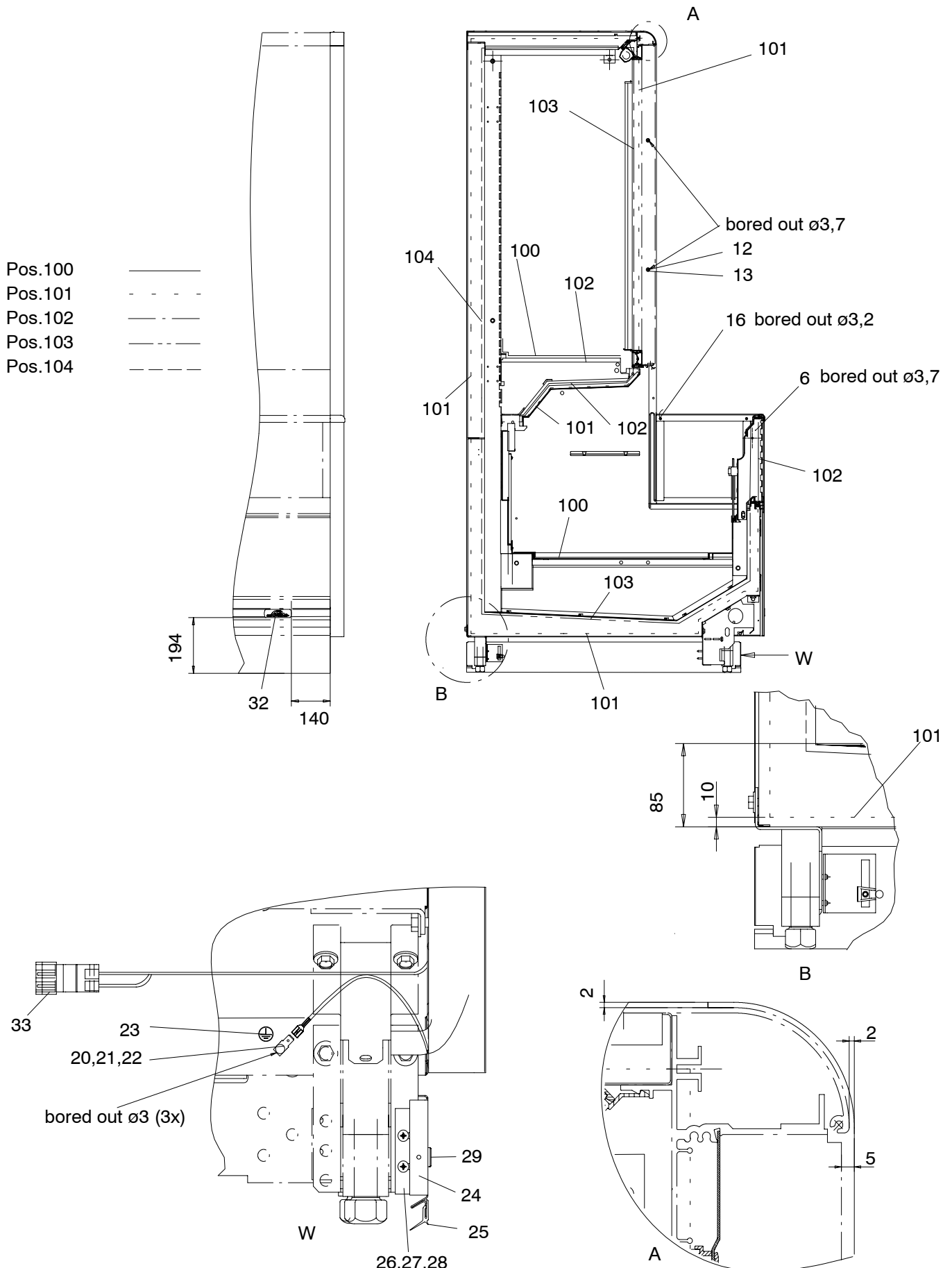




8.7.2 Parts list, End wall rectangle

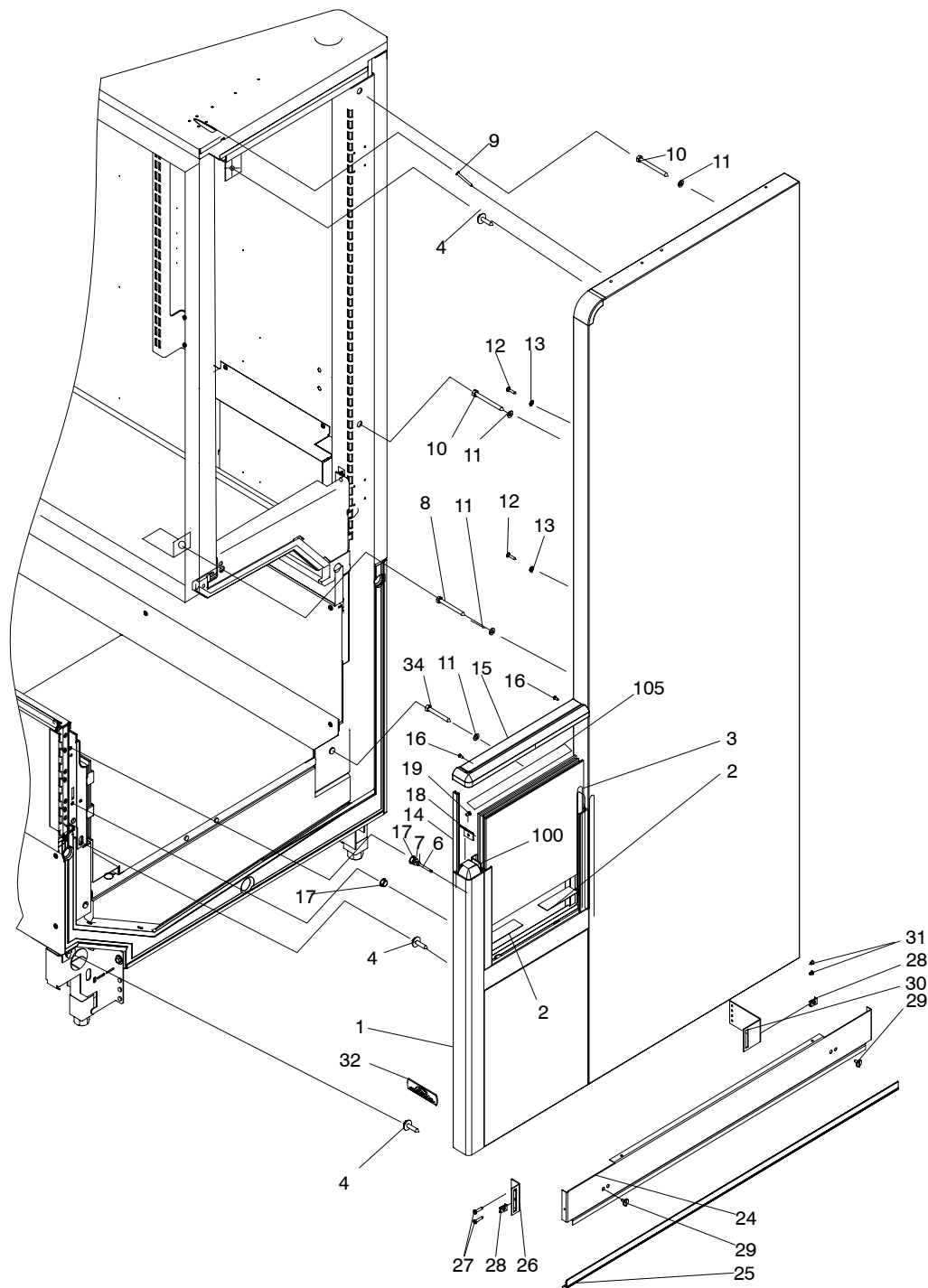
Item	Designation	Part No.	Item	Designation	Part No.
1	End wall	ri 888160	12	Self-tapping screw St4.,8x25	388403
		le 888161	13	Self-tapping screw St4,8x25	430162
		L ri 888162	14	Washer	443706
		L le 888163	15	Screw M5x12	485381
2	Kickplate right / left	873551	16	Rivet 3,2-4,8 mm	438465
3	Floor close off seal	858516	17	Cover	881882
4	Fixing device for base rail	878257	18	Self-tapping screw St4,8x45	446080
5	Angle-shaped retainer	881594	19	Washer 5,3	147139
6	Nut M5x0,7	483754	20	Linde company logo	485041
7	Hexagon tapping screw St8x38	443459	100	Sealing compound, trans.	473032
8	Hexagon tapping screw St8x70	493005	101	OWA-Sealing tape 10SKX 15	153004
9	Hexagon tapping screw St8x90	376442	102	OWA-Sealing tape 40SKX 5x2000	433343
10	Washer 8,4	102105	103	Tesa Moll 6x9 white	433080
11	Self-tapping screw St4,8X50	857734	104	OWA-Sealing tape 40SKX 10x2000	454506

8.7.3 Partial glassed



Assembly instructions
Vantis SGX/AGX. XXX A8/A8L

C1.2/6.0574
- GB -

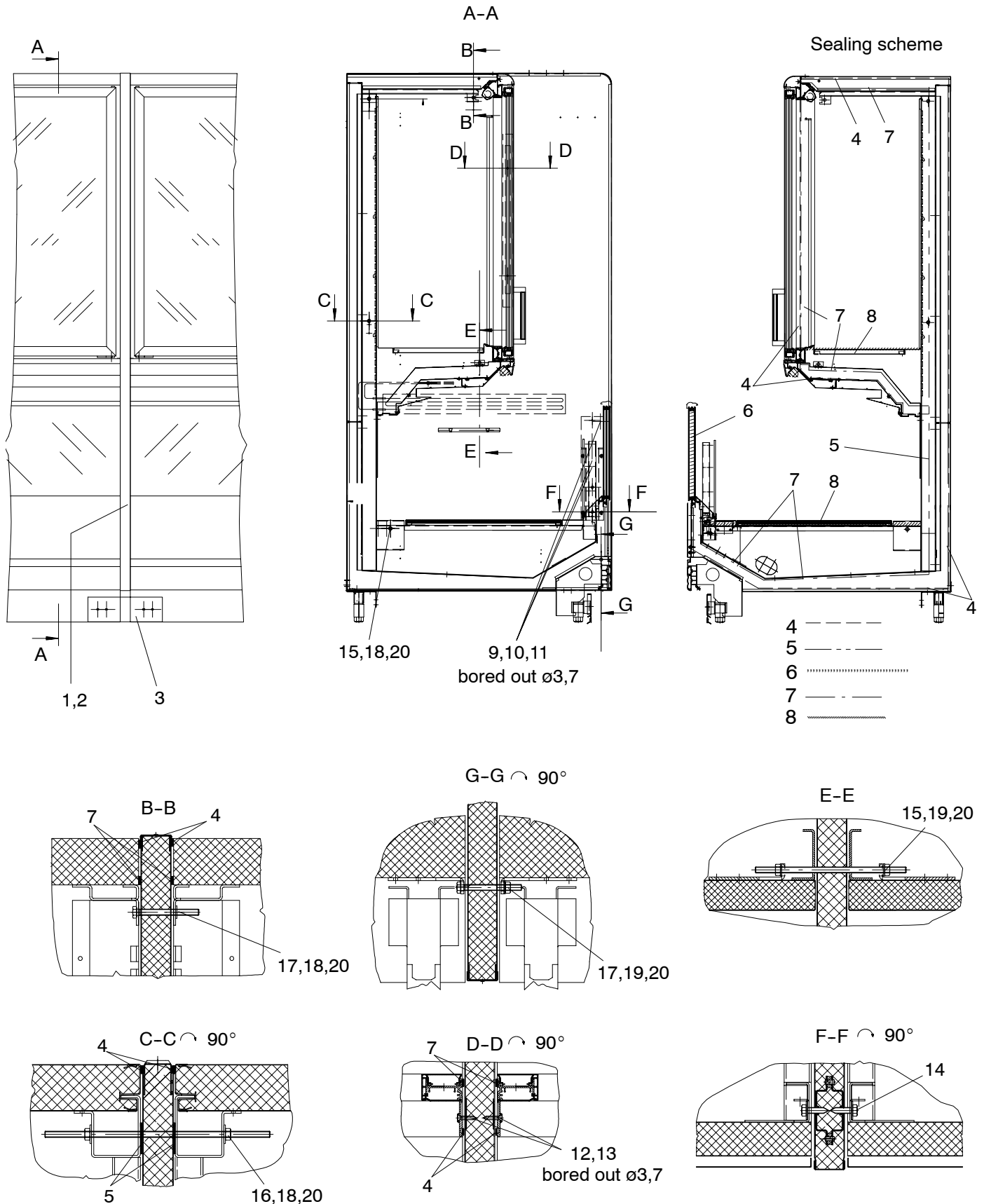


8.7.4 Parts list, End wall partial glassed

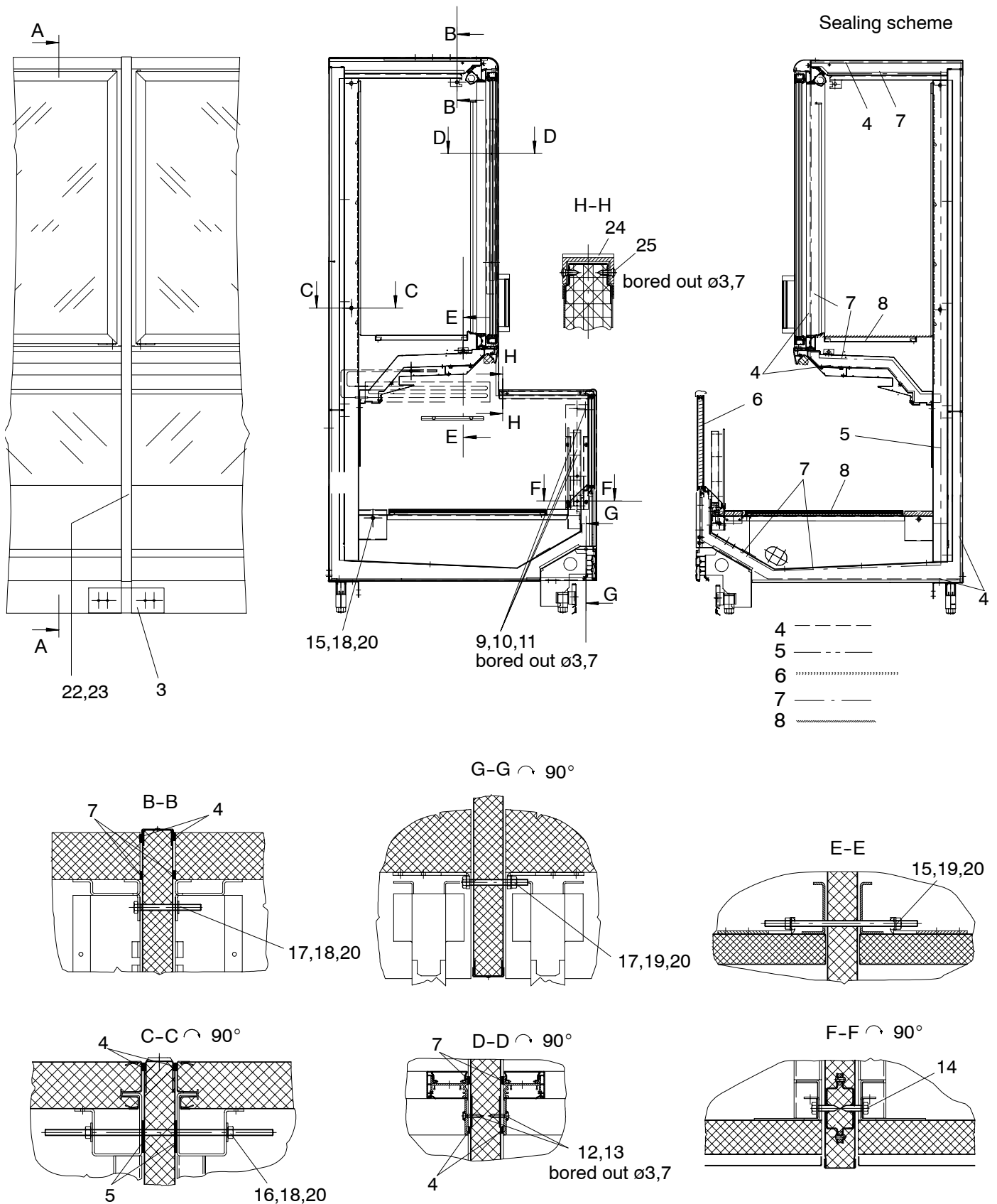
Item	Designation	Part No.	Item	Designation	Part No.	
1	End wall SG3	ri	873390	16	Self-tapping screw St3,9x13	430165
		le	873391	17	Cover	881882
		L ri	873392	18	Cover	878614
		L le	873393	19	Screw M5x10	488317
	End wall SG4	ri	873394	20	Rivet 3.2-4.8 mm	138780
		le	873395	21	Flat plug 6,3	465931
		L ri	873396	22	Washer 4,3	135176
		L le	873394	23	Earth symbol	134655
2	Distance strip	484351	24	Kickplate right / left	873551	
3	Thermopane glass SG3	ri	876057	25	Floor close off seal	858516
		le	876058	26	Fixing device for base rail	878257
	Thermopane glass SG4	ri	876059	27	Self-tapping screw St4,8x25	430162
		le	876060	28	Sheet metal nut M5x0,7	483754
4	Hexagon tapping screw St8x38	443459	29	Screw M5x12	485381	
6	Self-tapping screw St4,8x45	446080	30	Angle shaped retainer	881594	
7	Washer 5,3	147139	31	Rivet 3.2-4.8 mm	438465	
8	Hexagon tapping screw St8x50	800743	32	Linde company logo	485041	
9	Self-tapping screw St4,8x50	857734	33	Plug 2x4-2x7	879772	
10	Hexagon tapping screw St8x90	376442	34	Hexagon tapping screw St8x70	493005	
11	Washer 8,4	102105	100	Sealing compound, trans.	473032	
12	Self-tapping screw St4,8x25	388403	101	OWA-Sealing tape 10SKX 15	153004	
13	Washer	443706	102	OWA-Sealing tape 40SKX 5x2000	433343	
14	U-Rail SG3	875410	103	Tesa Moll 6x9 white	433080	
	U-Rail SG4	875411	104	OWA-Sealing tape 40SKX 10x2000	454506	
15	Handrail	ri	881589	105	Adhesive plate 25x1.6	485977
		le	881590			

8.8 Partition walls

8.8.1 Rectangle Vantis / Vantis



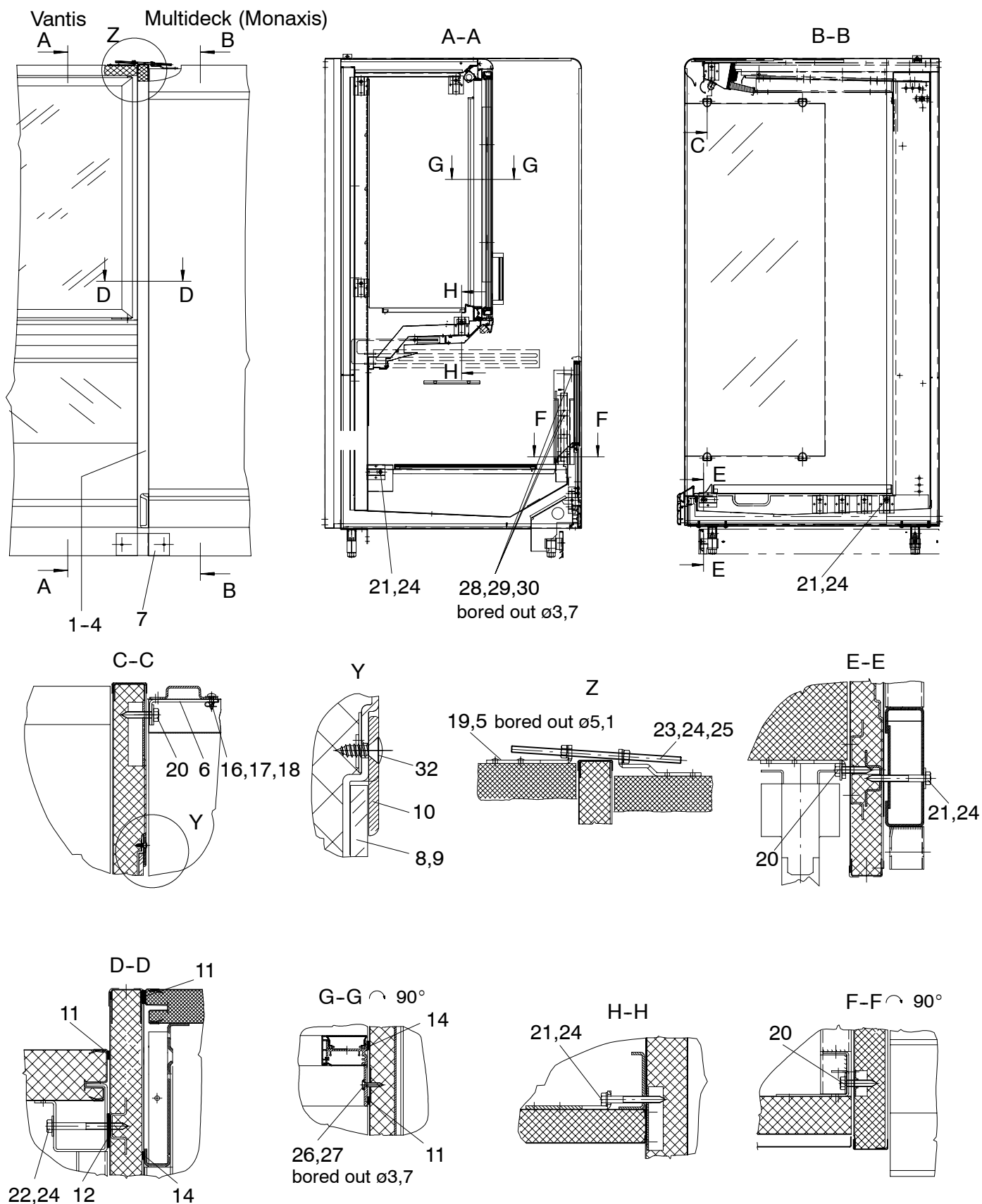
8.8.2 Shaped Vantis / Vantis



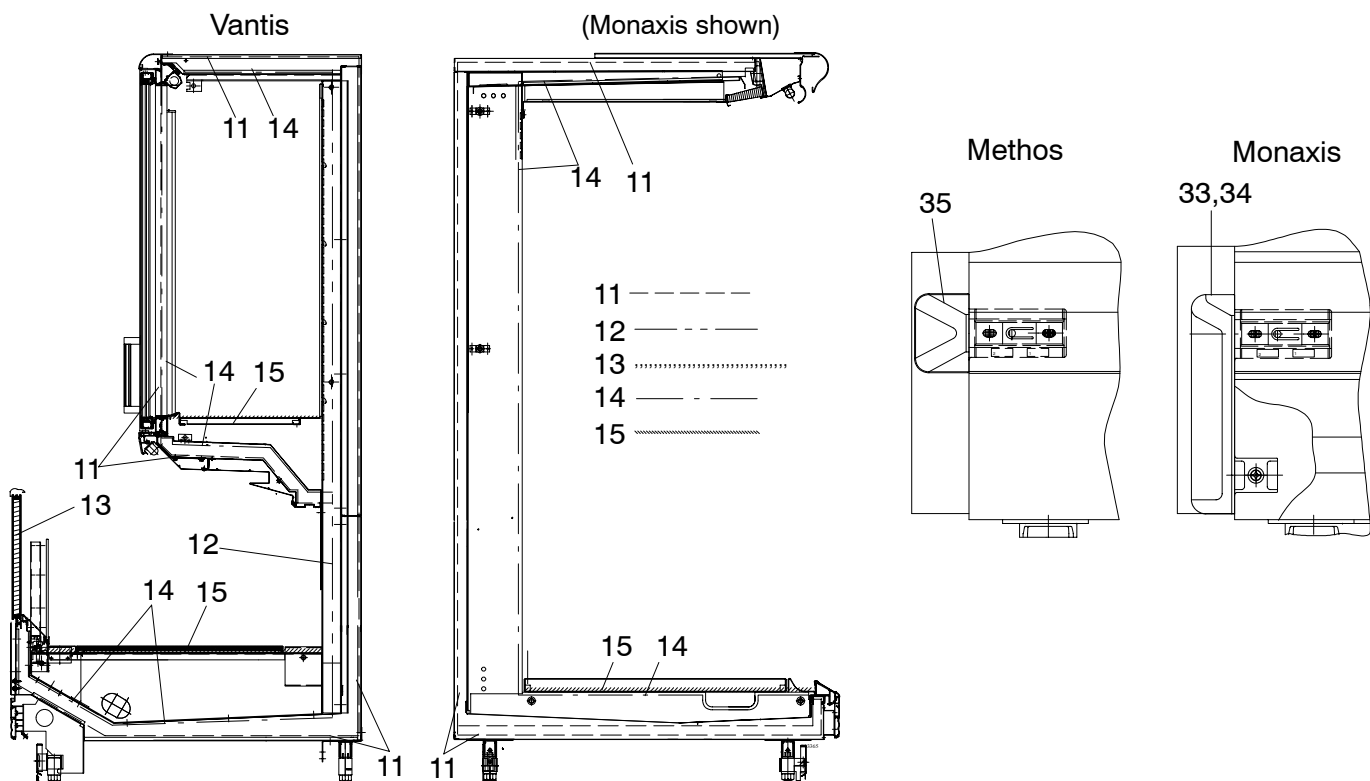
8.8.2.1 Parts list, Partition wall

Item	Designation	Part No.	Item	Designation	Part No.
1	Partition wall rectangular	889786	13	Hexagon tapping screw St4,8x25	388403
2	Partition wall "L" rectangular	889787	14	Hexagon tapping screw St8x38	443459
3	Trim	887506	15	Threaded bolt BM8 x 200	445644
4	OWA Sealing tape 10Sk x 15	153004	16	Threaded bolt BM8 x 290	434413
5	OWA Sealing tape 40Sk x 10	454506	17	Hexagon tapping screw M8x80	430087
6	OWA Sealing tape 40Sk x 5	433343	18	Washer 8,4	382115
7	Tesa Moll 6x9 white	433080	19	Washer A8,4	102105
8	Sealing compound, trans.	473032	20	Hexagon nut M8	101937
9	Washer 5,3	147139	22	Partition wall shaped	892410
10	Recessed pan head tapping screw St4,8x45	446080	23	Partition wall "L" -shaped	892178
11	Cover	881882	24	Handrail	892181
12	Washer	443706	25	Recessed pan head tapping screw St3,9x13	430165

8.8.3 Rectangle Vantis / Multidecks



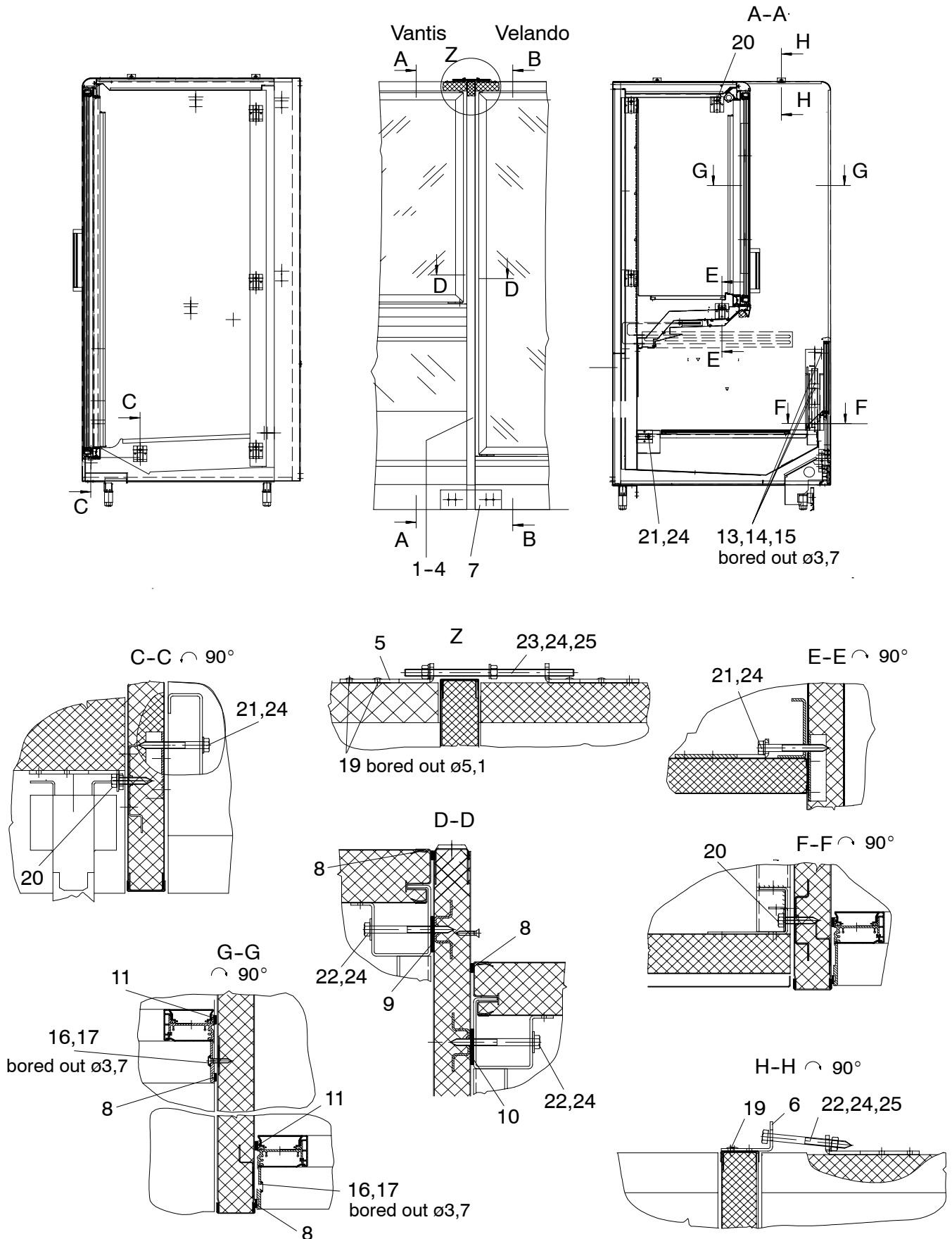
Sealing scheme



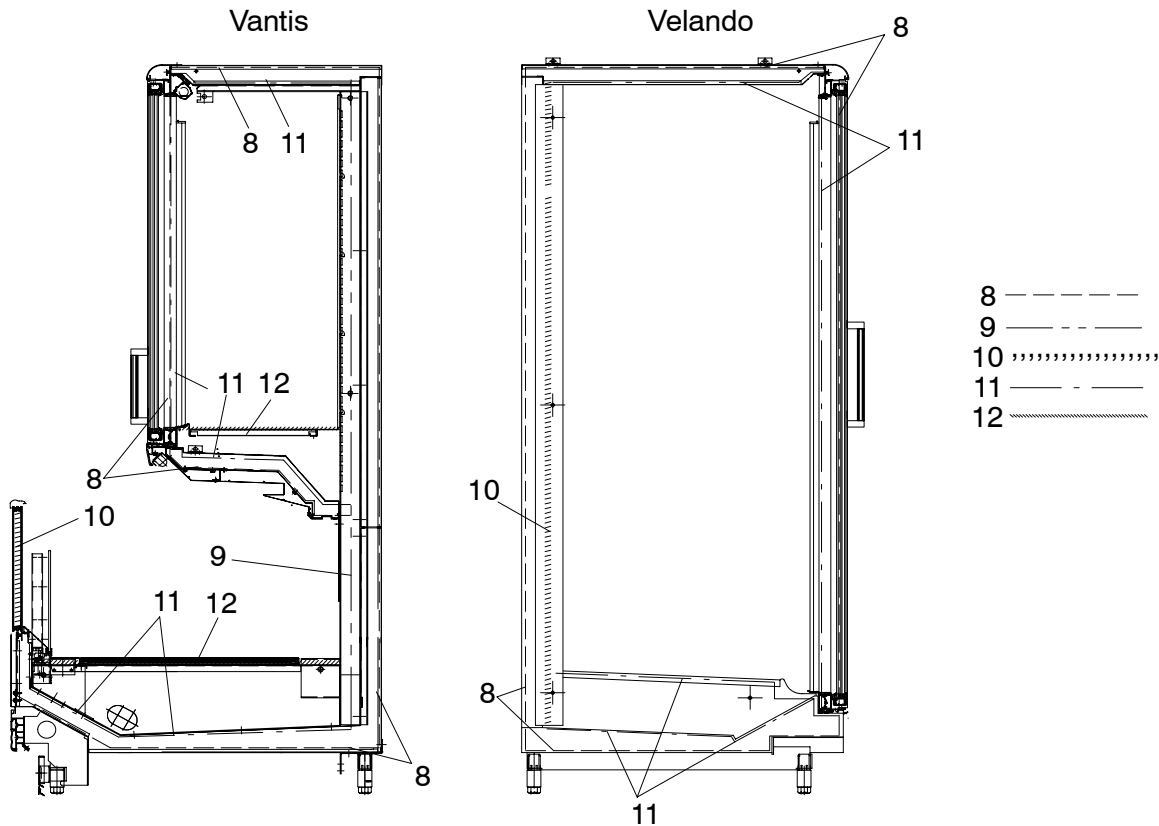
8.8.3.1 Parts list, Partition wall

Item	Designation	Part No.	Item	Designation	Part No.
1	Partition wall right	887360	18	Washer 5,3	488454
2	Partition wall right "L"	887361	19	Rivet 4.8 mm	438465
3	Partition wall left	887362	20	Hexagon tapping screw St8x38	443459
4	Partition wall left "L"	887363	21	Hexagon tapping screw St8x70	493005
5	Angle-shaped retainer	439401	22	Hexagon tapping screw St8x90	376442
6	Angle piece	887399	23	Threaded bolt BM8 x 200	445644
7	Trim	887508	24	Washer 8,4	382115
8	Mirror 5 x 625 x 1400	877486	25	Hexagon nut M8	101937
9	Mirror 5 x 625 x 1580	877487	26	Washer	443706
10	Fixing device for mirror	876783	27	Hexagon tapping screw St4,8x25	388403
11	OWA Sealing tape 10Sk x 15	153004	28	Washer 5,3	147139
12	OWA Sealing tape 40Sk x 10	454506	29	Recessed pan head tapping screw St4,8x45	446080
13	OWA Sealing tape 40Sk x 5	433343	30	Cover	881882
14	Tesa Moll 6x9 white	433080	32	Recessed pan head tapping screw St3,9x13	430165
15	Sealing compound OXIM, trans.	473032	33	End cap right	858493
16	Sheet metal nut St4,8	386444	34	End cap left	858494
17	Recessed pan head tapping screw St4,8x16	459320	35	End cap	854292

8.8.4 Rectangle Vantis / Velando



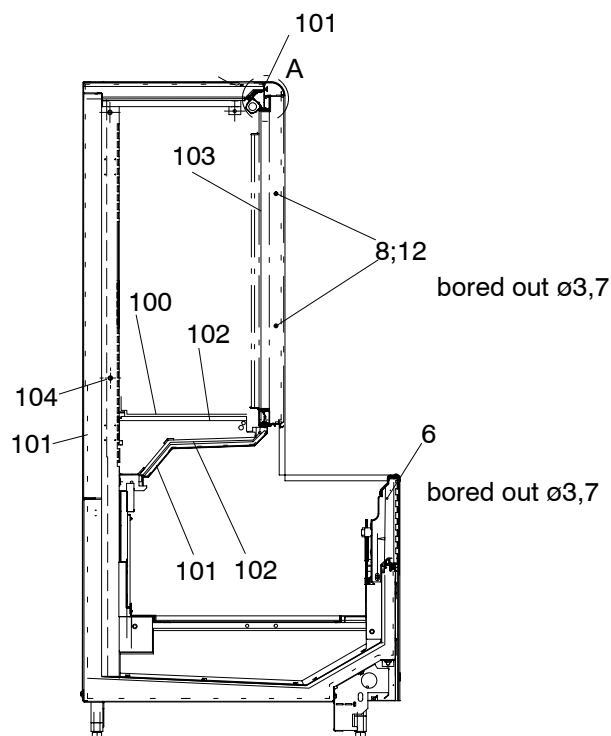
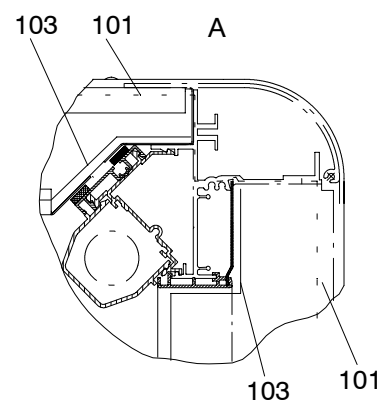
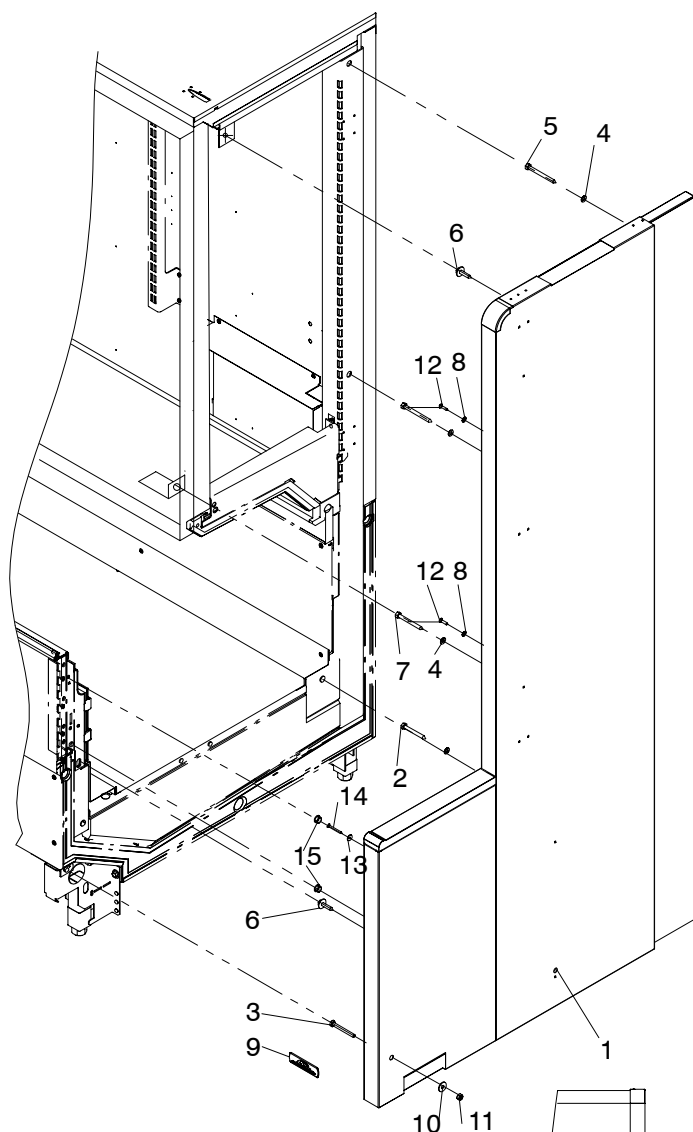
Sealing scheme



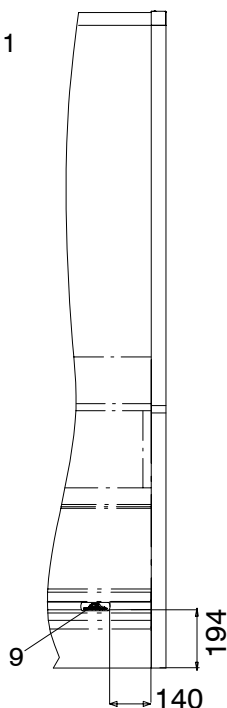
8.8.4.1 Parts list, Partition wall

Item	Designation	Part No.	Item	Designation	Part No.
1	Partition wall right	887364	13	Washer 5,3	147139
2	Partition wall right "L"	887366	14	Recessed pan head tapping screw St4,8x45	446080
3	Partition wall left	887365	15	Cover	881882
4	Partition wall left "L"	887367	16	Washer	443706
5	Angle-shaped retainer	439401	17	Hexagon tapping screw St4,8x25	388403
6	Angle piece	887375	19	Rivet 4,8	438465
7	Trim	887506	20	Hexagon tapping screw St8x38	443459
8	OWA Sealing tape 10Sk x 15	153004	21	Hexagon tapping screw St8x70	493005
9	OWA Sealing tape 40Sk x 10	454506	22	Hexagon tapping screw St8x90	376442
10	OWA Sealing tape 40Sk x 5	433343	23	Threaded bolt BM8 x 200	445644
11	Tesa Moll 6x9 white	433080	24	Washer 8,4	382115
12	Sealing compound OXIM, trans.	473032	25	Hexagon nut M8	101937

8.8.5 for installing Vantis / Multidecks back to back
with head unit Vantis CE A8 (cabinet part: Vantis CE A8 / chest part: Vantis CE A8)



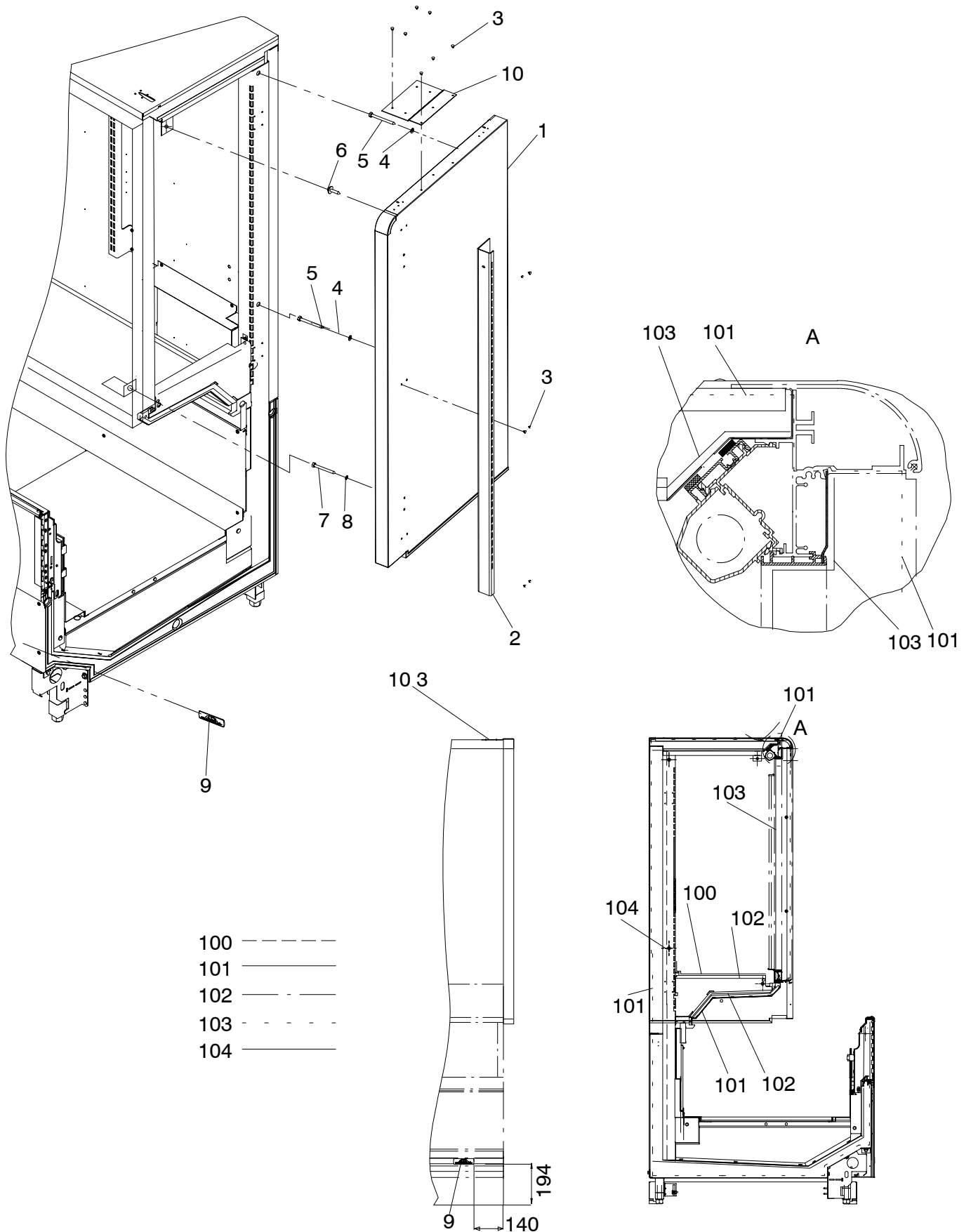
- Pos.100 ———
- Pos.101 - - - -
- Pos.102 - - - -
- Pos.103 ———
- Pos.104 - - - -



8.8.5.1 Parts list, Partition wall

Item	Designation	Part No.	Item	Designation	Part No.
1	Partition wall	ri 893888	10	Washer 8,4	430213
		le 893889	11	Hexagon nut M8	101937
		L ri 893890	12	Hexagon tapping screw St4,8x25	388403
		L le 893891	13	Washer 5,3	147139
2	Hexagon tapping screw St8x70	493005	14	Tapping screw St4,8x45	446080
3	Hexagon tapping screw M8x70	449319	15	Cover	881882
4	Washer 8,4	102105	100	OWA Sealing tape 40Sk x 10	454506
5	Hexagon tapping screw St8x90	376442	101	Tesa Moll 6x9 white	433080
6	Hexagon tapping screw St8x38	443459	102	OWA Sealing tape 40Sk x 5	433343
7	Hexagon tapping screw St8x80	800743	103	OWA Sealing tape 10Sk x 15	153004
8	Washer	443706	104	Sealing compound, trans.	473032
9	Linde company logo	ri 485041			

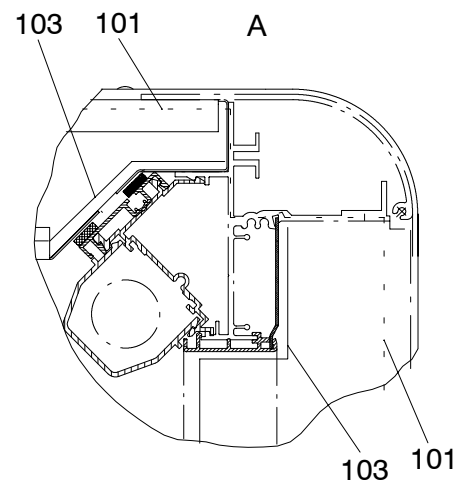
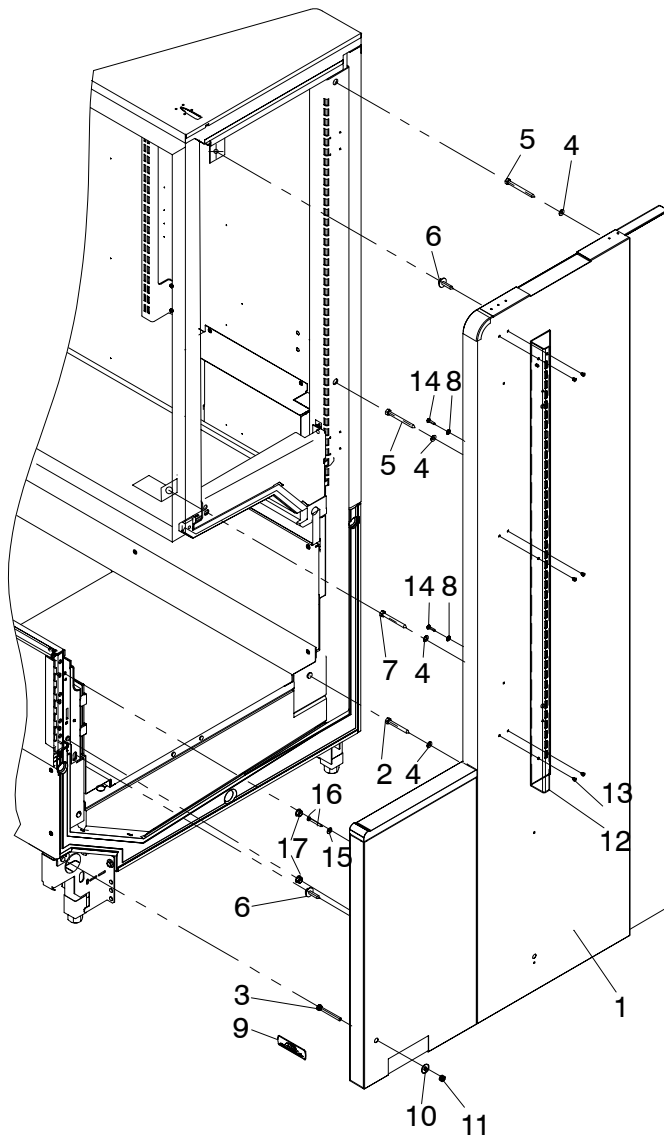
**8.8.6 for installing Vantis / Vantis back to back
with head unit Vantis CE A0 (cabinet part: Vantis CE A0 / chest part: Vantis CE)**



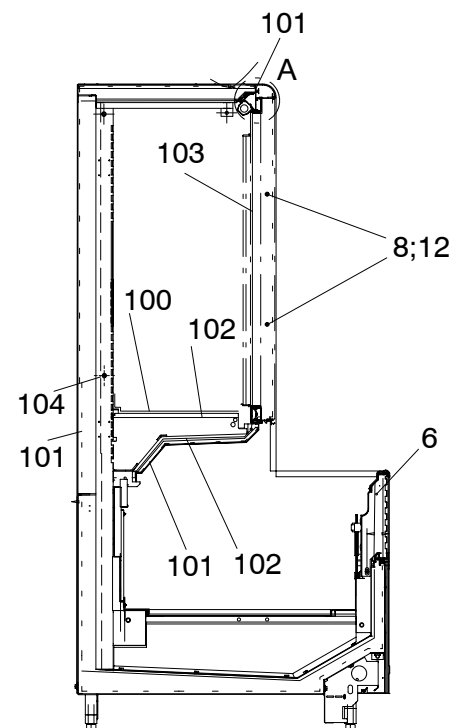
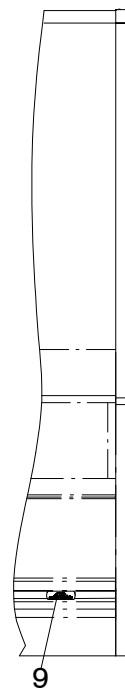
8.8.6.1 Parts list, Partition wall

Item	Designation	Part No.	Item	Designation	Part No.
1	Partition wall	ri 892471	6	Hexagon tapping screw St8x38	443459
		le 892472	7	Hexagon tapping screw St8x80	800743
		L ri 892473	8	Washer	443706
		L le 892474	9	Linde company logo	485041
2	Mounting profile	ri 892490	10	Profiled rail	893413
		le 892488	100	OWA Sealing tape 40Sk x 10	454506
		L ri 892494	101	Tesa Moll 6x9 white	433080
		L le 892492	102	OWA Sealing tape 40Sk x 5	433343
3	Rivet 4.8 mm	432825	103	OWA Sealing tape 10Sk x 15	153004
4	Washer 8.4	102105	104	Sealing compound, trans.	473032
5	Hexagon tapping screw St8x90	376442			

**8.8.7 for installing Vantis / Multidecks back to back
with head unit Vantis CE A0 (cabinet part: Vantis CE A0 / chest part: Ivando CE)**



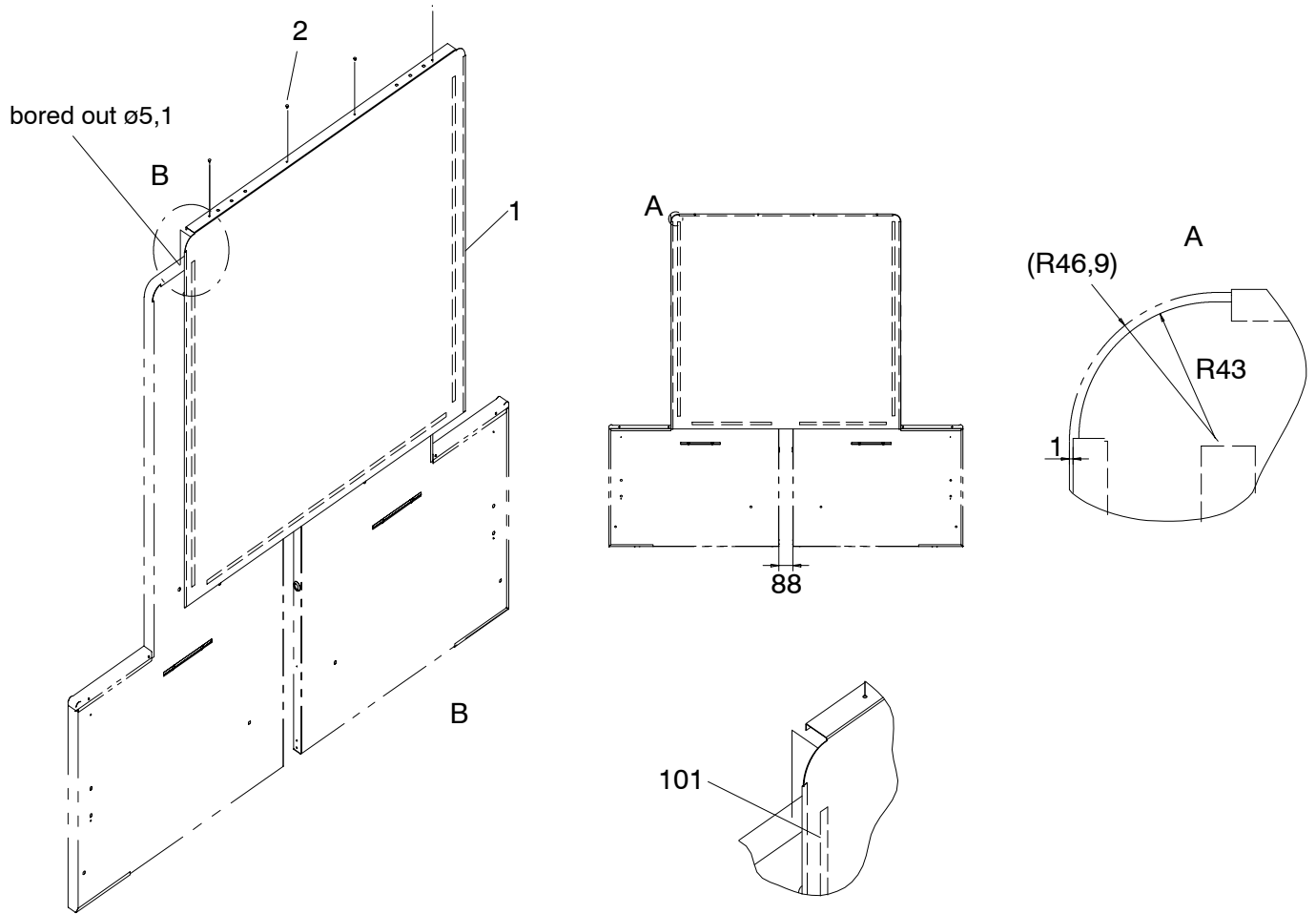
- 100 - - - - -
- 101 - - - - -
- 102 - - - - -
- 103 - - - - -
- 104 - - - - -



8.8.7.1 Parts list, Partition wall

Item	Designation	Part No.	Item	Designation	Part No.
1	Partition wall	ri	12	Shelf-adjusting rail	ri
		le			le
		L ri			L ri
		L le			L le
		893888			892490
		893889			892488
		893890			892494
		893891			892492
2	Hexagon tapping screw St8x70	493005	13	Rivet 4,8	438465
3	Hexagon tapping screw M8x70	449319	14	Hexagon tapping screw St4,8x25	388403
4	Washer 8,4	102105	15	Washer 5,3	147139
5	Hexagon tapping screw St8x90	376442	16	Recessed pan head tapping screw St4,8x45	446080
6	Hexagon tapping screw St8x38	443459	17	Cover	881882
7	Hexagon tapping screw St8x80	800743	100	OWA Sealing tape 40Sk x 10	454506
8	Washer	443706	101	Tesa Moll 6x9 white	433080
9	Linde company logo	ri	102	OWA Sealing tape 40Sk x 5	433343
		L ri	103	OWA Sealing tape 10Sk x 15	153004
		485041			
		485041			
10	Washer 8,4	430213	104	Sealing compound, trans.	473032
11	Hexgon nut M8	101937			

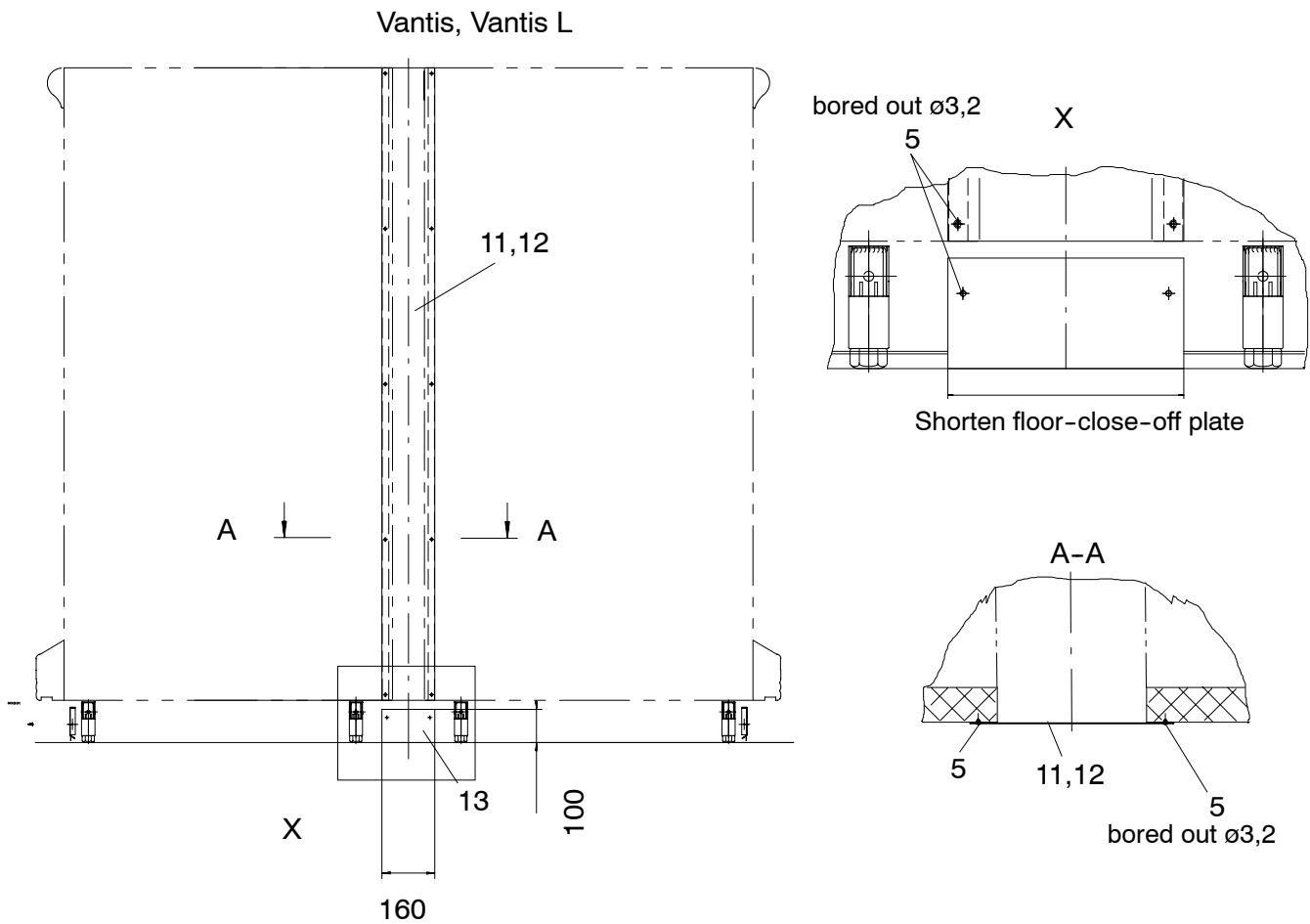
8.9 Cover for installing Vantis back to back



8.9.1 Parts list, Cover

Item	Designation	Part No.
1	Cover	894929
		L 894931
2	Rivet 4.8 mm	432825
101	Adhesive tape, double faced	496553

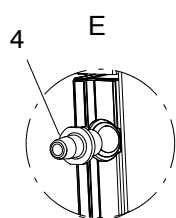
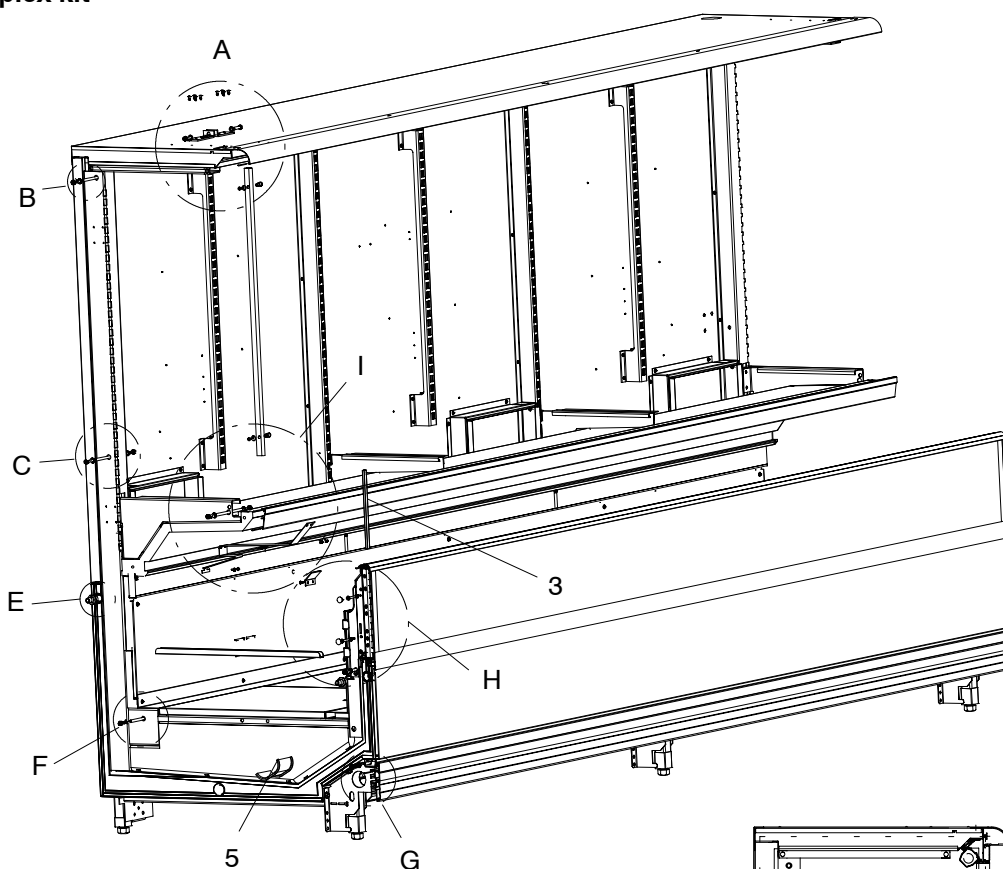
8.10 Gap closing trim



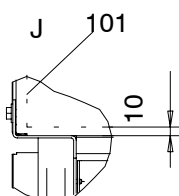
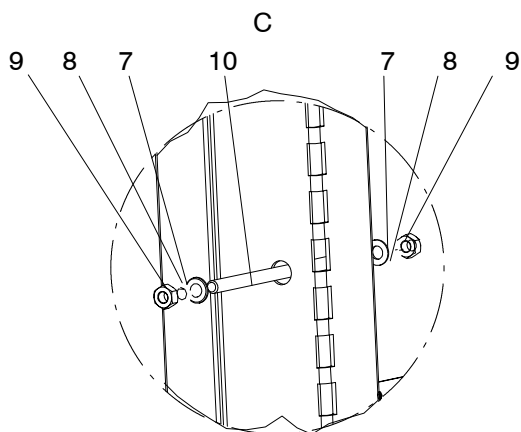
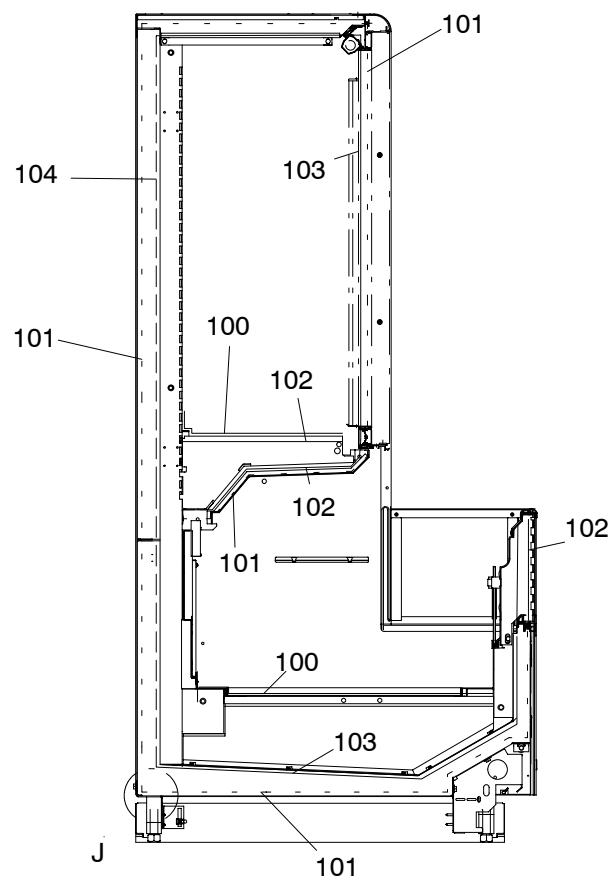
8.10.1 Parts list, Gap closing trim

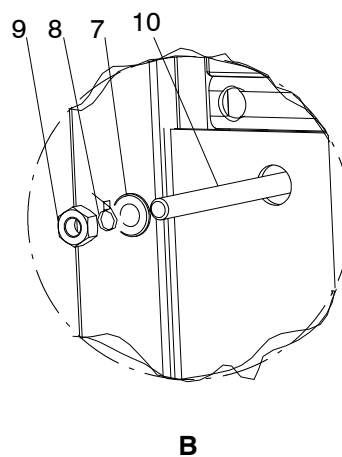
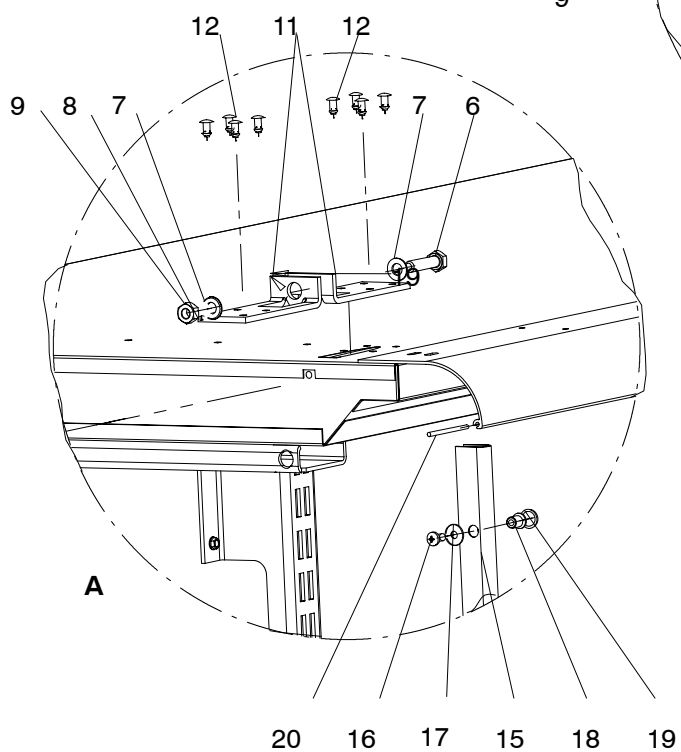
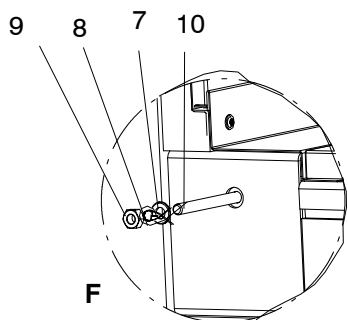
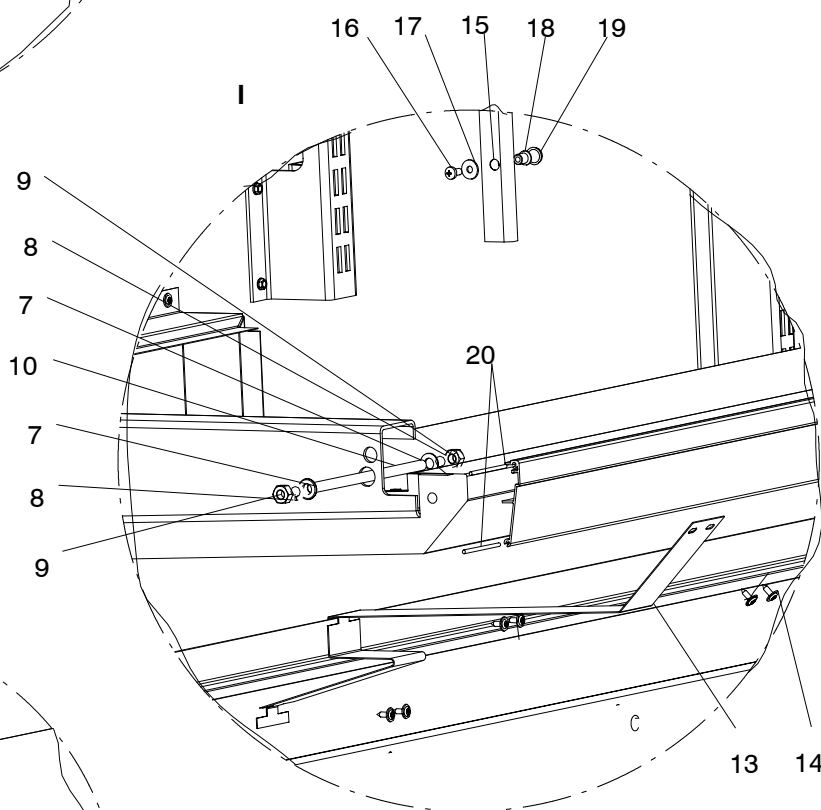
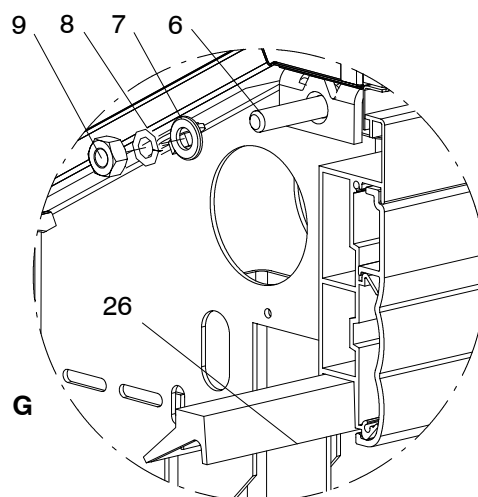
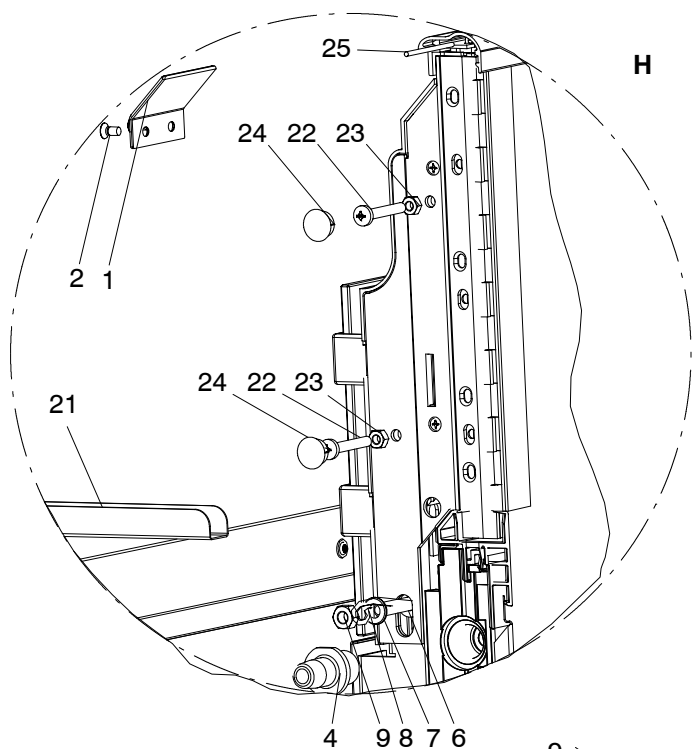
Item	Designation	Part No.
5	Rivet B 3,2	377635
11	Cover	882492
12	Cover "L"	882494
13	Cover, bottom	882496

8.11 Multiplex kit



- Pos.100 ————
- Pos.101 - - - -
- Pos.102 - - - -
- Pos.103 ————
- Pos.104 - - - -

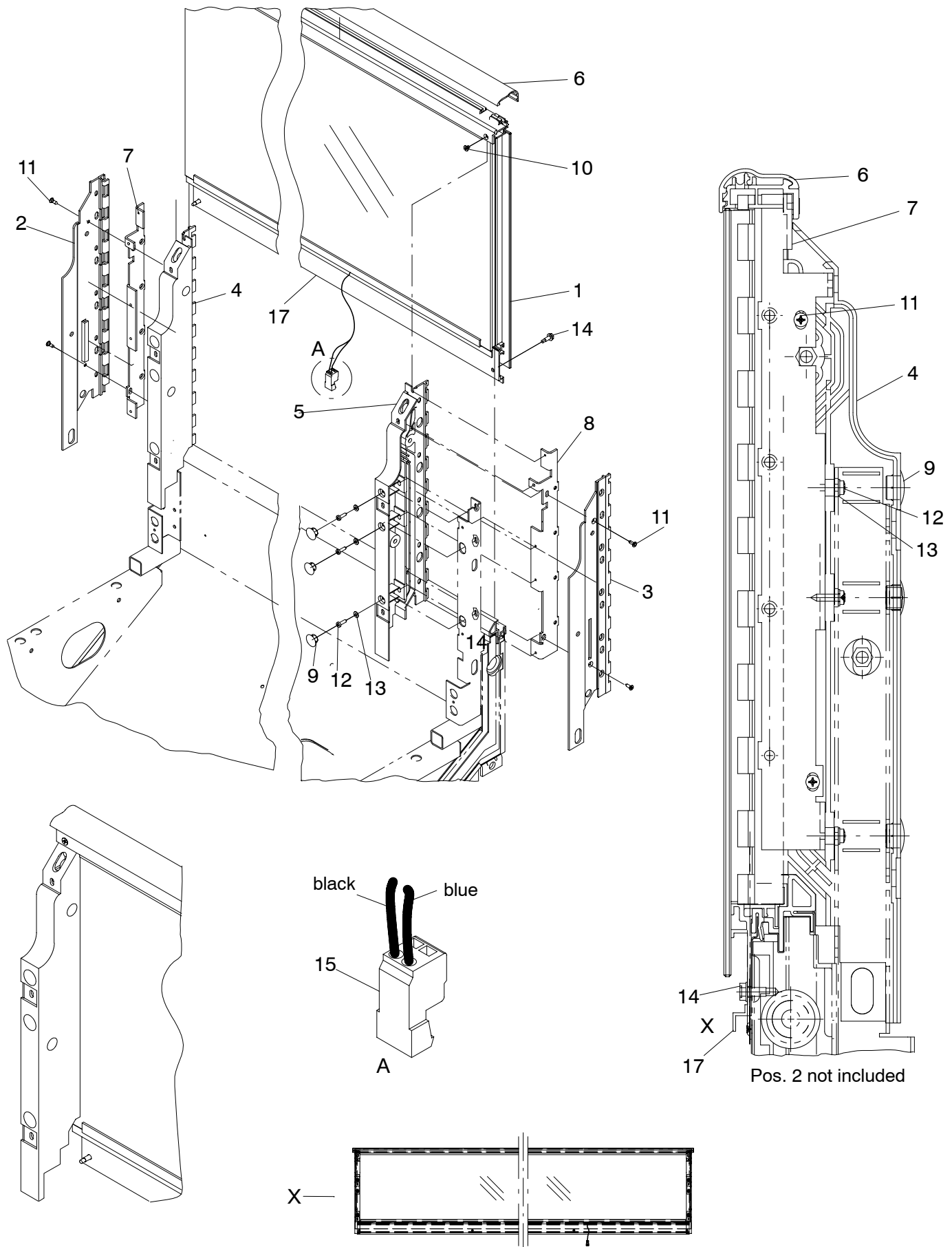




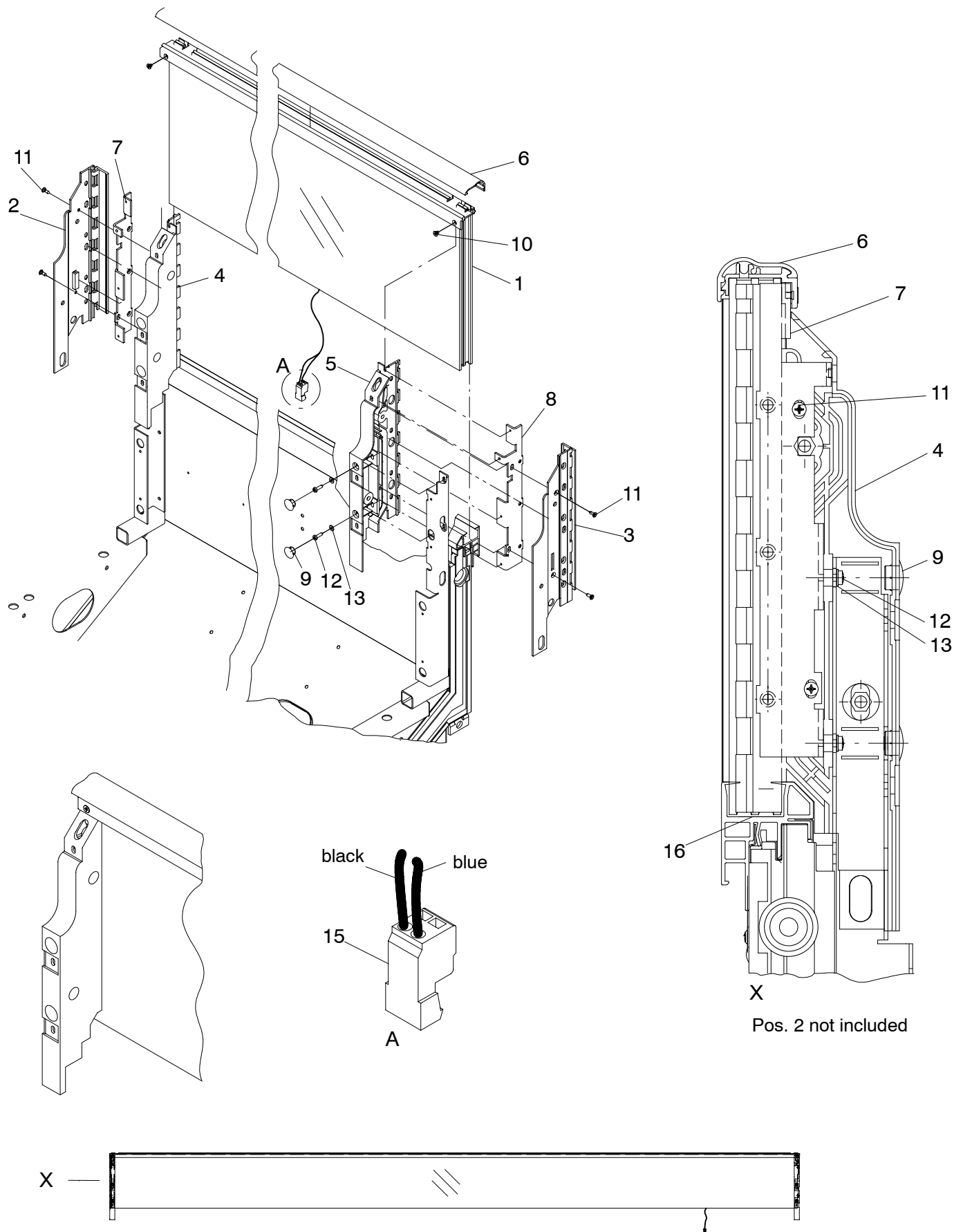
8.11.1 Parts list, Multiplex

Item	Designation	Part No.	Item	Designation	Part No.
1	Cover	877658	16	Screw M5x10	388344
2	Screw M5x10	488317	17	Washer 5,3	488454
3	U-Rail SG3	875410	18	Screw socket M5	388343
	U-Rail SG4	875411	19	Cover	443795
4	Locating pin	484177	20	Pin 2,8 x 50	853244
5	Locating device	488787	21	U-Rail	375407
6	Hexagon screw M8x35	439179	22	Recessed raised cheese head screw M6 x 40	468341
7	Washer 8,4	102105	23	Nut M6	101936
8	Spring washer B8	430218	24	Cover	881882
9	Hexagon nut M8	101937	25	Pin 3 x 60	SG3 387832
10		445464	26	Profiled rail with support	SG3 877652
11	Angle shaped retainer	439401	100	Sealing compound, white	454233
12	Rivet B 4,8	438466	101	OWA-Sealing tape 10SKX 15	153004
13	Cover	821366	102	OWA-Sealing tape 40SKX 5x2000	433343
14	Screw ST3,9x12, white	389780	103	Tesa Moll 6x9 white	433080
15	Cover panel, cabinet joint	882616	104	OWA-Sealing tape 40SKX 10x2000	454506
		L 882618			

8.12 Thermopane glass AG4



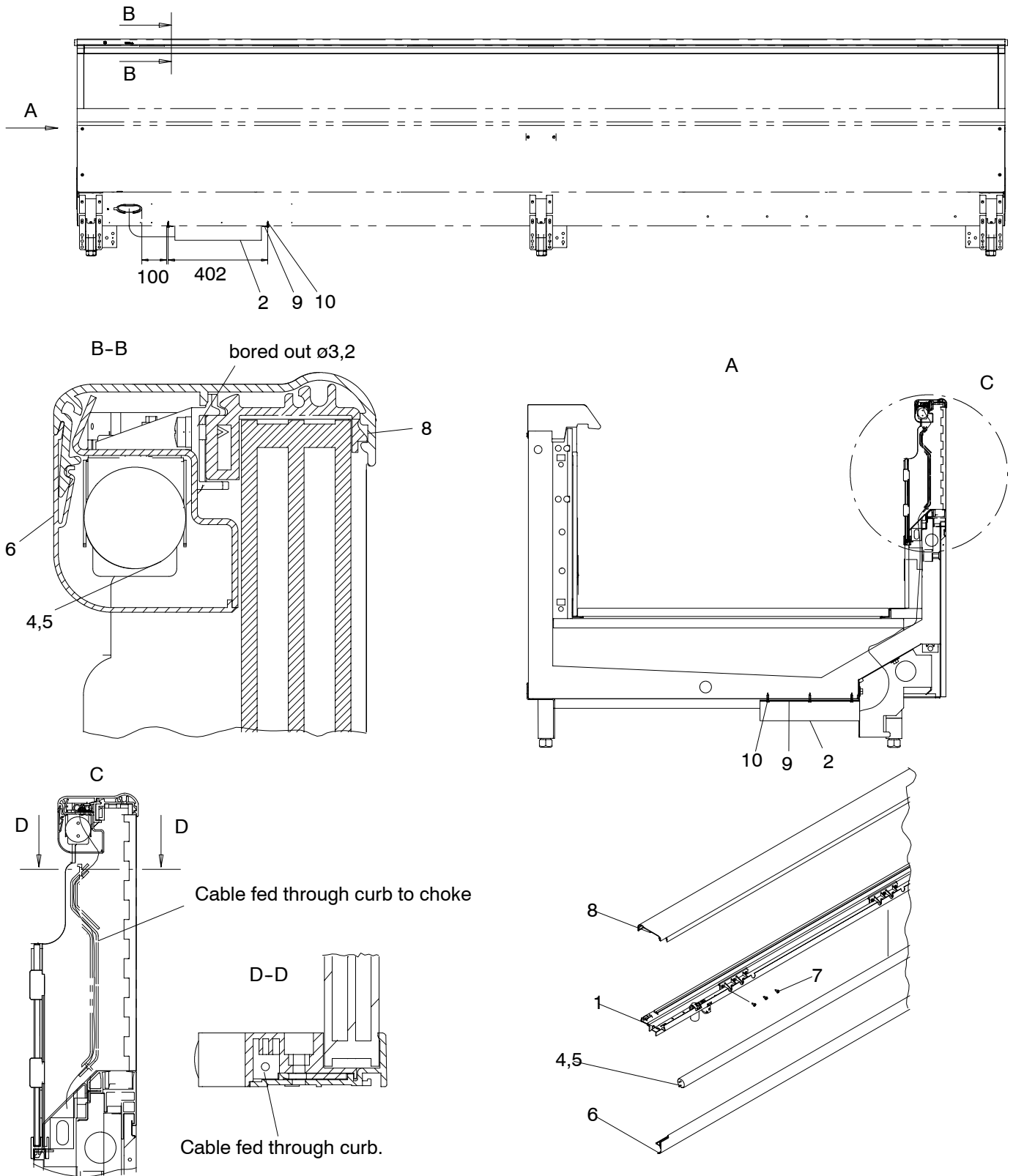
8.13 Thermopane glass SG3, SG4



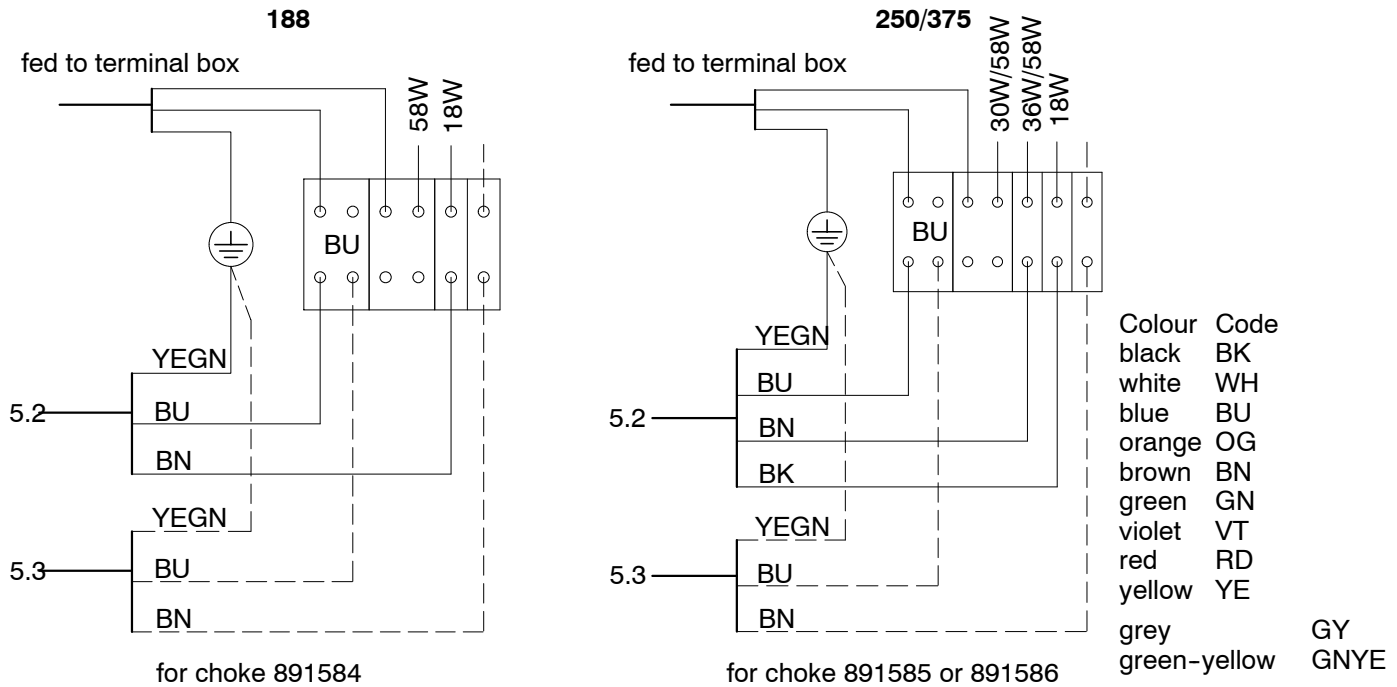
8.13.1 Parts list, Thermopane glass

Item	Designation	Part No.	Item	Designation	Part No.		
1	Thermopane glass AG4	188	877379	6	Handrail	188	872108
		250	877380			250	872109
		375	877381			375	872110
	Thermopane glass SG3	188	872118	7	Angle piece, right	AG4	876127
		250	872119			SG3	876125
		375	872120			SG4	876127
	Thermopane glass SG4	188	872147	8	Angle piece, left	AG4	876128
		250	872148			SG3	876126
		375	872149			SG4	876128
2	Cover right	AG4	875403	9	Cover		804762
		SG3	875401	10	Hexagon screw M4x6		881631
		SG4	876178	11	Hexagon tapping screw St3,9x13		139049
3	Cover left	AG4	875404	12	Recessed pan head tapping screw St3,9 x 16		135167
		SG3	875402	13	Washer 4,3		102103
		SG4	876179	14	Bore screw St4,8 x 16	AG4	445822
4	Curb, right	AG4	876174	15	Plug 2x4-2x7		879772
		SG3	872116	16	Distance strip		484351
		SG4	876174	17	Profiled rail with support		877396
5	Curb, left	AG4	876175				
		SG3	872117				
		SG4	876175				

8.14 Handrail with lighting



8.14.1 Connection diagram handrail with lighting



Connect the cables of the lighting rails to the terminal blocks of the chokes as illustrated

Cable no. 5.2 = lighting rail front/back

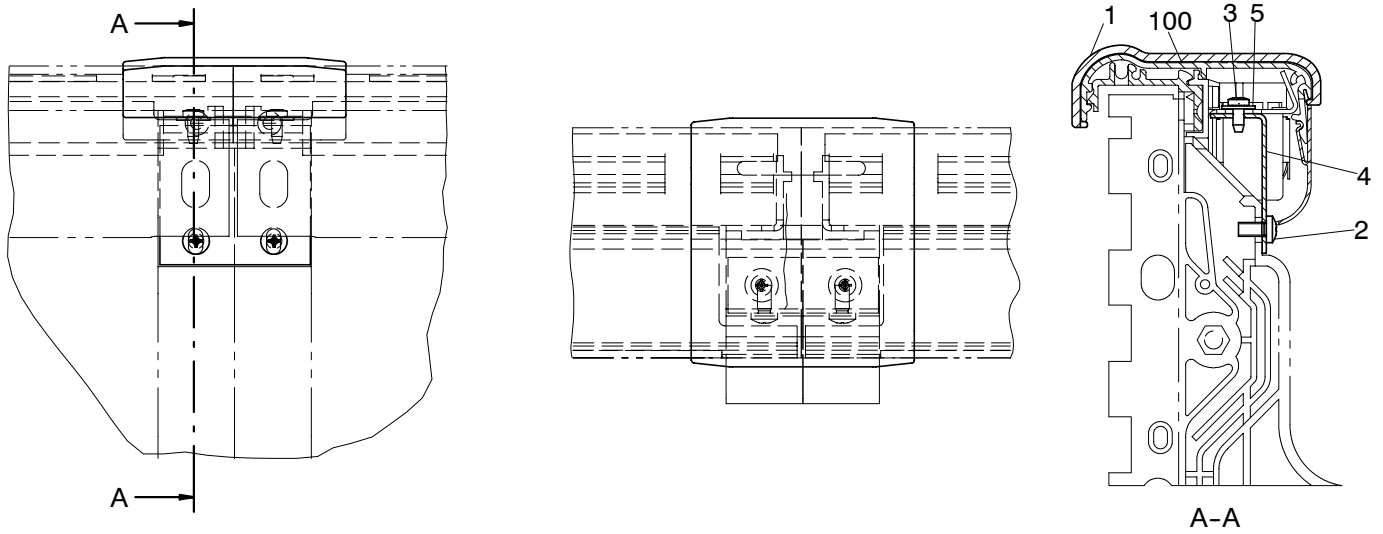
Cable no. 5.3 = lighting rail end wall left

Cable no. 5.3 = lighting rail end wall right (dotted line)

8.14.1.1 Parts list, Handrail with lighting

Item	Designation		Part No.
1	Lighting rail	188	884449
		250	884450
		375	884451
2	Choke 1 x 58W	188	891584
		250	891585
		375	891586
4/5	Fluorescent Tube	58W	455153
		36W	455152
		30W	446863
6	Lighting canopy	188	884470
		250	884471
		375	884472
7	Recessed pan head tapping screw St 3,9 x 9,5		463086
8	Handrail	188	884440
		250	884441
		375	884442
9	Mounting rail		892586
10	Hexagon head tapping screw M4x20		135166

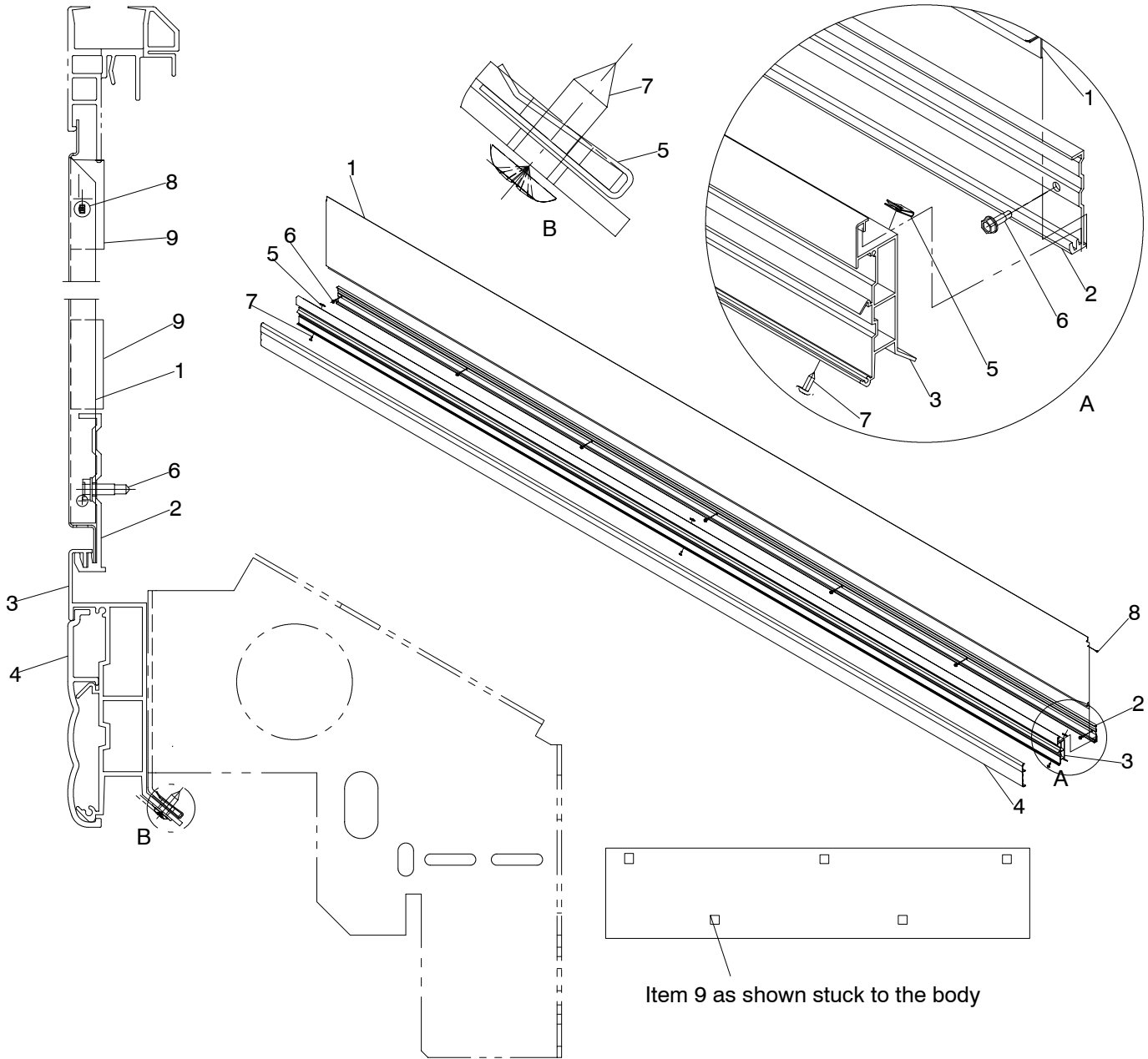
8.14.2 Cover cabinet joint for handrail with lighting



8.14.2.1 Parts list, Cover

Item	Designation	Part No.
1	Cover	888479
2	Recessed raised cheese head screw M5x10	430133
3	Recessed pan head tapping screw St 3,9 x 9,5	463086
4	Angle piece	891841
5	Washer 4,3	408399
100	Double-sided tape 50br	377999

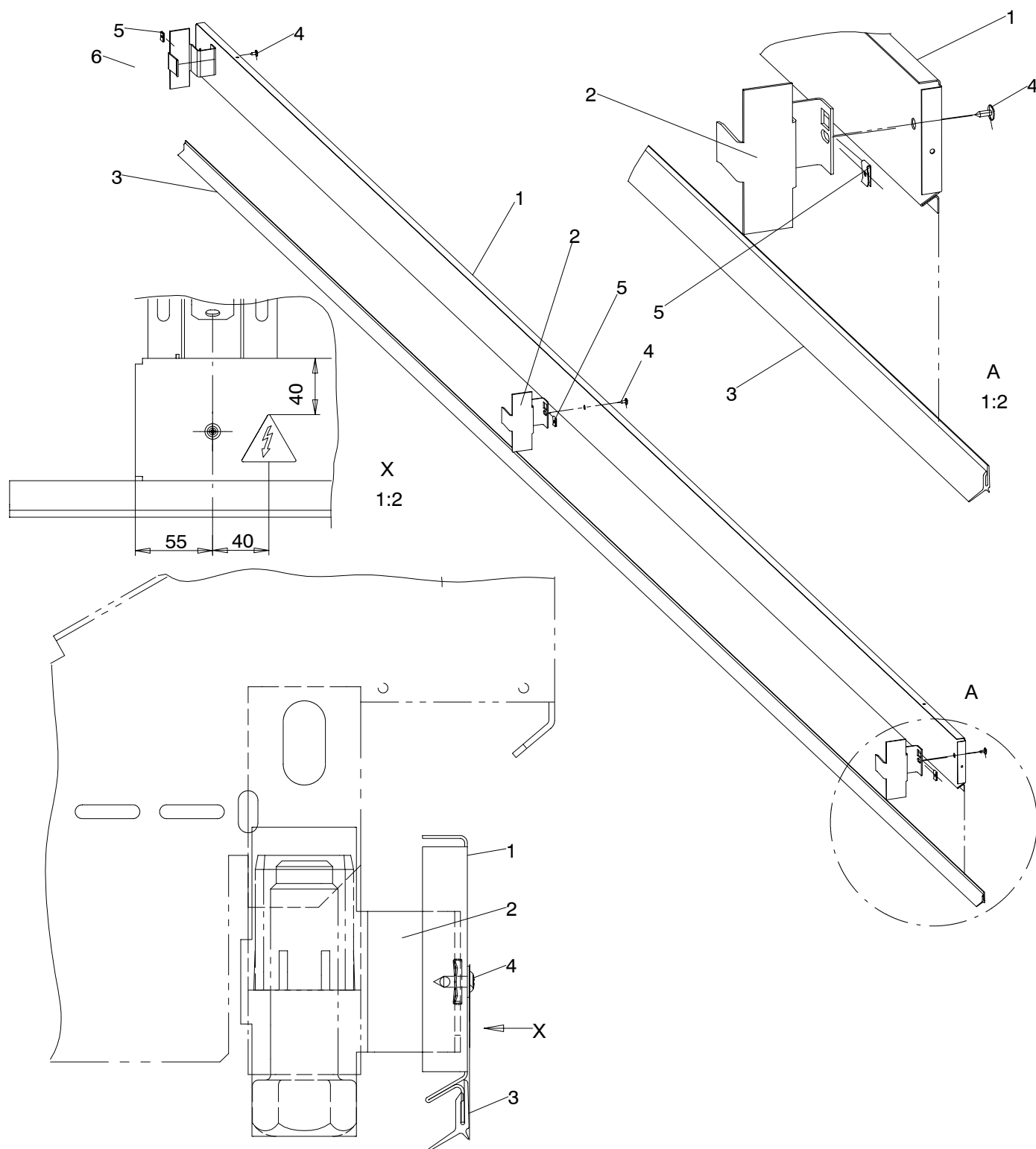
8.15 Front panel



8.15.1 Parts list, Front panel

Item	Designation	Part No.	Item	Designation	Part No.
1	Front panel, top	GH300 188 869753	4	Front panel, bottom	188 853581
		250 869754			250 853582
		375 869755			375 853583
	GH400	188 876951	5	Sheet metal nut B3.9	432837
		250 876953	6	Bore screw St4,8x16	445822
		375 876955	7	Sheet metal screw St3,9x12	135166
2	Profiled rail with support, top	188 873450	8	Plastic rivet	458846
		250 873451	9	Spacer block	806073
		375 873452			
3	Profiled rail with support, bottom	188 881991			
		250 881992			
		375 881993			

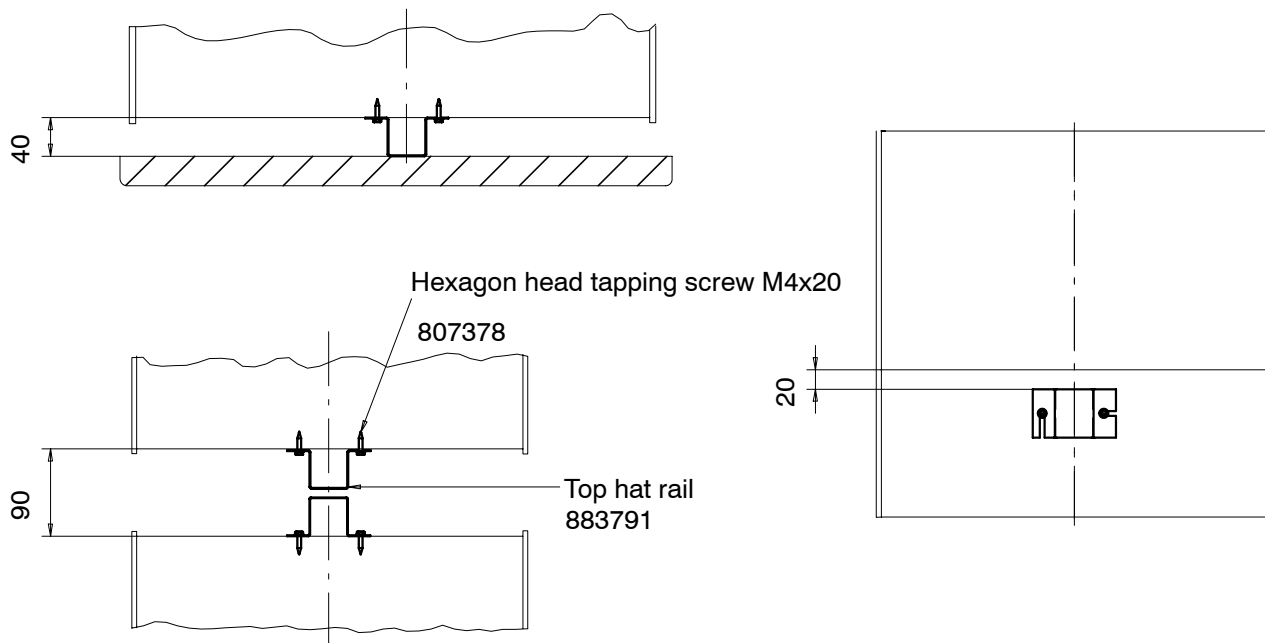
8.16 Base rail



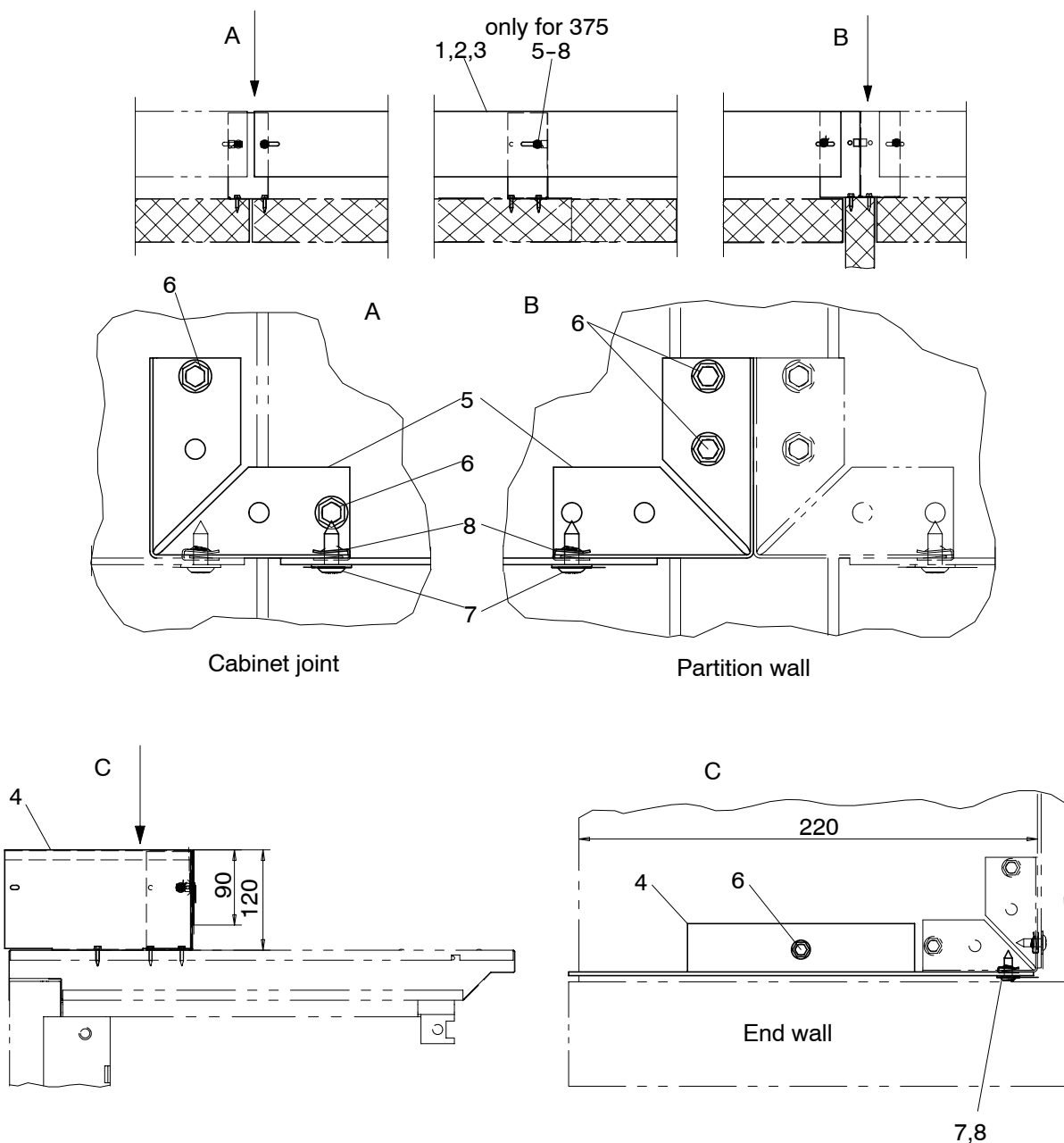
8.16.1 Parts list, Base rail

Item	Designation	Part No.	
1	Base rail	188	853365
		250	853366
		375	853367
2	Angle shaped retainer	892175	
3	Floor close-off seal	188	866869
		250	483542
		375	483543
4	Sheet metal screw St3,9x12	382299	
5	Sheet metal nut B3,9	432837	

8.17 Distance holder



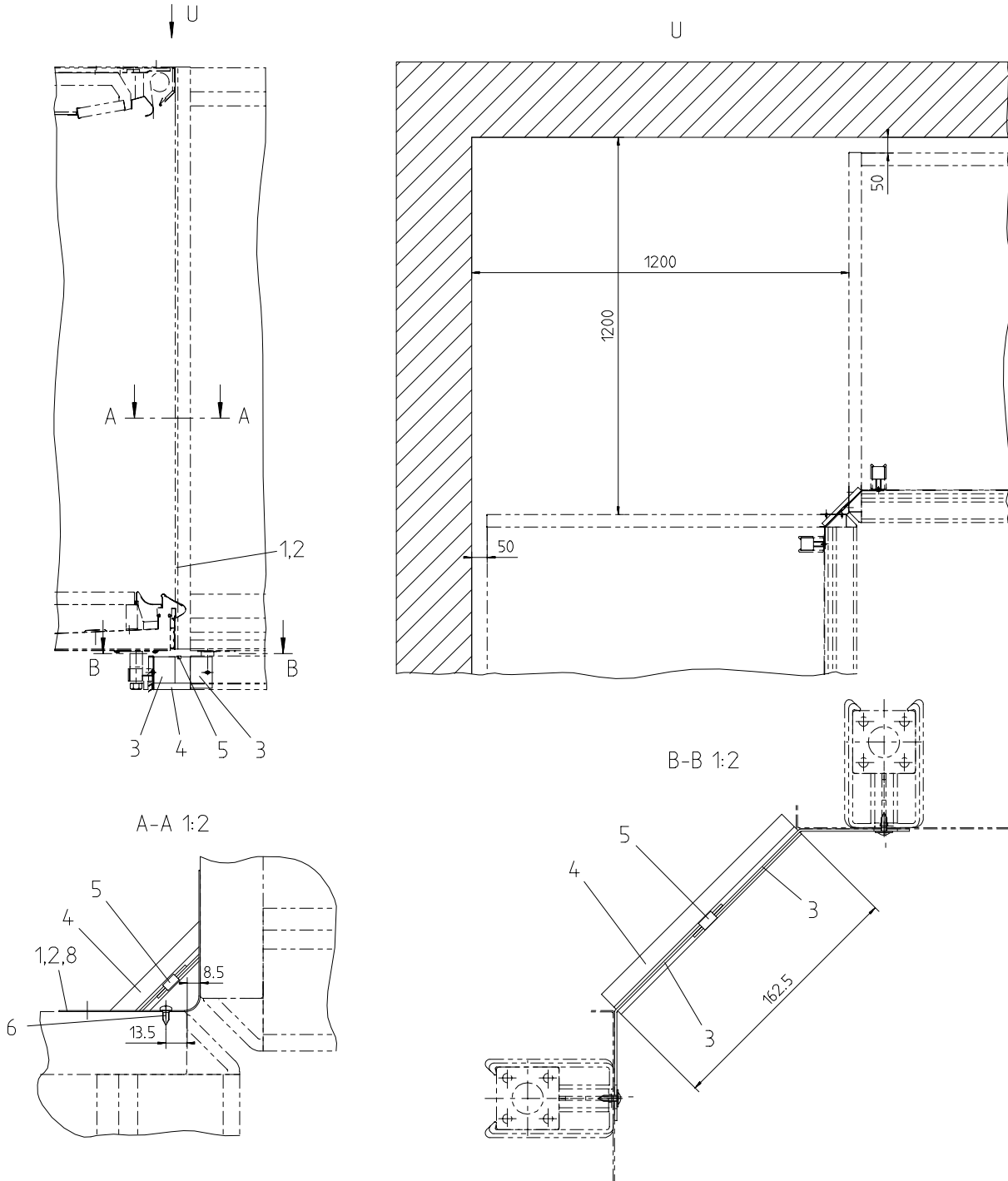
8.18 Sight screen ceiling



8.18.1 Parts list, Sight screen ceiling

Item	Designation	Part No.
1	Canopy	375 891424
2	Canopy	250 891426
3	Canopy	188 891428
4	Canopy	Side 891431
5	Angle shaped retainer	891468
6	Hexagon head tapping screw M4x20	807378
4	Sheet metal screw St3,9x12	382299
5	Sheet metal nut B3.9	463240

8.19 Around-corner assembly



8.19.1 Parts list, Around-corner assembly

Item	Designation	Part No.
1	Guide Rail	854676
2	Guide Rail L	854677
3	Cover base rail	854678
4	Floor close-off seal	483542
5	Clamp	409223
6	Sheet metal screw St 3,9x9,5	135169
8	Guide Rail Midos	877736

8.20 Doors

8.20.1 Dismounting doors

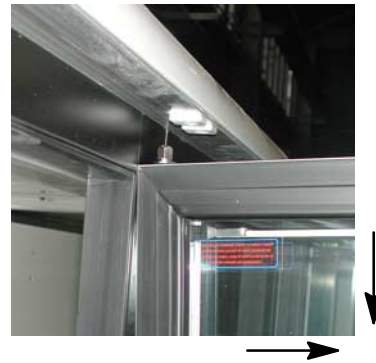
8.20.1.1 Remove securing ring



8.20.1.2 Disconnect electrical connection door



8.20.1.3 Lift door

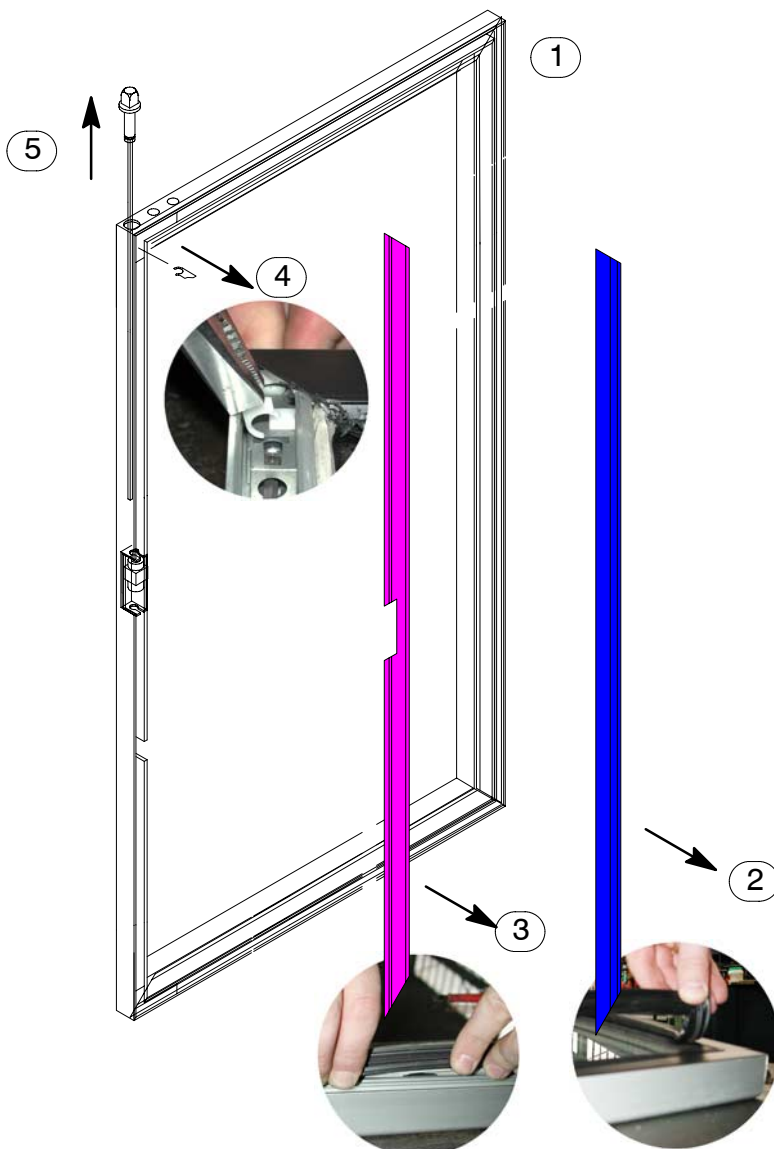


8.20.2 Retighten door spring



Stretching the door spring takes place by means of a hexagonal wrench (4mm) into the same direction, as the door is opened.

8.20.3 Change revolving pin



1. Remove door
2. Remove rubber seal
3. Remove panel strip
4. Remove locking ring
5. Pull out revolving pin from the top

Änderungen vorbehalten
Subject to change without notice
Sous réserve de modification

9 Configuration of cabinet line-ups

Length	188	250	375	438	500	563	625	750	813	875	938	1000	1125
Set-up	188	250	375	188+250	250+250	188+375	250+375	375+375	188+250+375	250+250+375	188+375+375	250+375+375	375+375+375

10 Electrical data

	Vantis SG 3		Vantis SG 3 L		Vantis SG 4		Vantis SG 4 L		Vantis AG 4		Vantis AG 4 L		
	188	250	375	188	250	375	188	250	375	188	250	375	
Length	188	250	375	188	250	375	188	250	375	188	250	375	
Fans	76	152	228	76	152	228	76	152	228	76	152	228	on
lighting	199	240	360	244	300	450	199	240	360	244	300	450	on
Hanrail	69	90	138	69	90	138	69	90	138	69	90	138	on
External	85	108	169	85	108	169	85	108	169	85	108	169	on
Endwall ri	19		35		19		35		19		35		on
Defrost heater	900	1150	1750	900	1150	1750	900	1150	1750	900	1150	1750	off
	850	1150	1700	850	1150	1700	850	1150	1700	850	1150	1700	off
	900	1200	1800	900	1200	1800	900	1200	1800	900	1200	1800	off
Permanent heater	172	235	317	172	235	317	176	239	320	172	235	317	on
Permanent heater Endwall	36		36		41		41		41		36		on
Permanent heater Dorrs / Frame	479	664	931	533	679	1064	479	664	931	533	679	1064	566
													723
													985
													1130
													on
													off

The table shows the consumption in Watts at the connection terminals of the electrical accessories.

Type of connection: 3/N/PE 400V 50Hz or 60Hz

Attention:

For a separate lighting supply, the jumpers (8X0 N/N2B and 8X0 L2/L2B) shown in the circuit diagram must be separated.

When using partition walls are to be added up to 12 Watts of the respective phase. (pilot > phase 1, 1 Add-one > phase 2, u.s.w.)

Assembly instructions

Vantis SGX/AGX. XXX A8/A8L

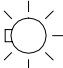


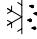



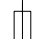
10.1.1 Vantis SG 3

Length	10.1.1.1 Basic values									10.1.1.2 Σ-power with lighting									10.1.1.3 Σ-power with discharge gas defrost								
	Permanent heater			Defrost heater																							
	L3	L2	L1	L3	L2	L1	L3	L2	L1	L3	L2	L1	L3	L2	L1	L3	L2	L1	L3	L2	L1	L3	L2	L1			
188	76	218	723		900	850	900	900	723	218	76	1144	1068	900	16A	723	218	76	244	218	244	218			16A		
250	152	259	971		1200	1150	1150	1200	971	259	152	1507	1409	1150	16A	971	259	152	307	259	307	259			16A		
375	228	379	1320		1800	1700	1750	1800	1320	379	228	2189	2079	1750	16A	1320	379	228	389	379	389	379			16A		
438	228	458	687	935	2050	2050	2050	2050	687	1393	228	2258	2779	2050	16A	687	1393	228	208	729	208	729			16A		
500	304	499	935	935	2350	2350	2300	2350	935	1434	304	2621	3120	2300	16A	935	1434	304	271	770	271	770			16A		
563	304	578	687	1284	2650	2650	2600	2650	687	1862	304	2858	3581	2600	20A	687	1862	304	208	931	208	931			16A		
625	380	619	935	1284	2950	2950	2850	2950	935	1903	380	3221	3922	2850	20A	935	1903	380	271	972	271	972			16A		
750	456	739	1284	1284	3550	3500	3450	3550	1284	2023	456	3903	4592	3450	25A	1284	2023	456	353	1092	353	1092			16A		
813	456	818	687	899	3750	3800	3850	3750	687	1717	1740	3958	4853	4203	25A	687	1717	1740	207	1053	207	1053			16A		
875	532	859	935	899	4050	4100	4100	4050	935	1758	1816	4321	5194	4453	32A	935	1758	1816	271	1094	271	1094			16A		
938	532	938	687	1248	4350	4400	4400	4350	687	2186	1816	4558	5655	4753	32A	687	2186	1816	208	1255	208	1255			16A		
1000	608	979	935	1248	4650	4700	4650	4650	935	2227	1892	4921	5996	5003	32A	935	2227	1892	271	1296	271	1296			16A		
1125	684	1099	1284	1248	5250	5250	5250	5250	1284	2347	1968	5603	6666	5603	40A	1284	2347	1968	353	1416	353	1416			16A		

Assembly instructions

Vantis SGX/AGX. XXX A8/A8L

Änderungen vorbehalten
Subject to change without notice
Sous réserve de modification

Length	10.1.1.4 Σ -power lighting		10.1.1.5 Σ -power without lighting						10.1.1.6 Σ -power without lighting and discharge gas defrost					
														
in cm	LX		L1	L2	L3	L1	L2	L3	L1	L2	L3	L1	L2	L3
188	218	16A	723	850	900	1144	850	900	723	76	76	244		16A
250	259	16A	971	1150	1150	1507	1150	1150	971	152	152	307		16A
375	379	16A	1320	1700	1750	2189	1700	1750	1320	228	228	389		16A
438	458	16A	687	935	2050	2258	2321	2050	687	935	228	208	271	16A
500	499	16A	935	935	2300	2621	2621	2300	935	935	304	271	271	16A
563	578	16A	687	1284	2600	2858	3003	2600	687	1284	304	208	353	16A
625	619	16A	935	1284	2850	3221	3303	2850	935	1284	380	271	353	16A
750	739	16A	1284	1284	3450	3903	3853	3450	1284	1284	456	353	353	16A
813	818	16A	687	899	4203	3958	4035	4203	687	899	1740	208	235	16A
875	859	16A	935	899	4453	4321	4335	4453	935	899	1816	271	235	16A
938	938	16A	687	1248	4753	4558	4717	4753	687	1248	1816	208	317	16A
1000	979	16A	935	1248	5003	4921	5017	5003	935	1248	1892	271	317	16A
1125	1099	16A	1284	1248	5603	5603	5567	5603	1284	1248	1968	353	317	16A

Assembly instructions

Vantis SGX/AGX. XXX A8/A8L

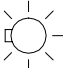




10.1.2 Vantis SG 3 with external lighting

Length	10.1.2.1 Basic values						10.1.2.2 Σ-power with lighting						10.1.2.3 Σ-power with discharge gas defrost							
	Permanent heater			Defrost heater			Σ			Σ			Σ			Σ				
	L3	L2	L1	L3	L2	L1	L3	L2	L1	L3	L2	L1	L3	L2	L1	L3	L2	L1		
188	76	303	723		900	850	900	723	303	76	1144	1153	900	16A	723	303	76	244	303	16A
250	152	367	971		1200	1150	1150	971	367	152	1507	1517	1150	16A	971	367	152	307	367	16A
375	228	548	1320		1800	1700	1750	1320	548	228	2189	2248	1750	16A	1320	548	228	389	548	16A
438	228	651	687	935	2050	2050	2050	687	1586	228	2258	2972	2050	16A	687	1586	228	208	922	16A
500	304	715	935	935	2350	2350	2300	935	1650	304	2621	3336	2300	20A	935	1650	304	271	986	16A
563	304	832	687	1284	2650	2650	2600	687	2116	304	2858	3835	2600	20A	687	2116	304	208	1185	16A
625	380	896	935	1284	2950	2950	2850	935	2180	380	3221	4199	2850	25A	935	2180	380	271	1249	16A
750	456	1077	1284	1284	3550	3500	3450	1284	2361	456	3903	4930	3450	25A	1284	2361	456	353	1430	16A
813	456	1180	687	899	3750	3800	3850	687	2079	1740	3958	5215	4203	32A	687	2079	1740	207	1415	16A
875	532	1244	935	899	4050	4100	4100	935	2143	1816	4321	5579	4453	32A	935	2143	1816	271	1479	16A
938	532	1361	687	1248	4350	4400	4400	687	2609	1816	4558	6078	4753	32A	687	2609	1816	208	1678	16A
1000	608	1425	935	1248	4650	4700	4650	935	2673	1892	4921	6442	5003	32A	935	2673	1892	271	1742	16A
1125	684	1606	1284	1248	5250	5250	5250	1284	2854	1968	5603	7173	5603	40A	1284	2854	1968	353	1923	16A

Assembly instructions

Vantis SGX/AGX. XXX A8/A8L

Änderungen vorbehalten
Subject to change without notice
Sous réserve de modification

Length in cm	10.1.2.4 Σ -power lighting		10.1.2.5 Σ -power without lighting						10.1.2.6 Σ -power without lighting and discharge gas defrost						
		LX													
			L1	L2	L3	L1	L2	L3	L1	L2	L3	L1	L2	L3	
188	303	16A	723	76	1144	850	900	16A	723	76	244	16A	723	76	244
250	367	16A	971	152	1507	1150	1150	16A	971	152	307	16A	971	152	307
375	548	16A	1320	228	2189	1700	1750	16A	1320	228	389	16A	1320	228	389
438	651	16A	687	228	2258	2321	2050	16A	687	228	208	16A	687	228	208
500	715	16A	935	304	2621	2621	2300	16A	935	304	271	16A	935	304	271
563	832	16A	687	304	2858	3003	2600	16A	687	304	208	16A	687	304	208
625	896	16A	935	380	3221	3303	2850	16A	935	380	271	16A	935	380	271
750	1077	16A	1284	456	3903	3853	3450	20A	1284	456	353	16A	1284	456	353
813	1180	16A	687	456	3958	4035	4203	25A	687	456	208	16A	687	456	208
875	1244	16A	935	532	4321	4335	4453	25A	935	532	271	16A	935	532	271
938	1361	16A	687	532	4558	4717	4753	25A	687	532	208	16A	687	532	208
1000	1425	16A	935	608	4921	5017	5003	25A	935	608	271	16A	935	608	271
1125	1606	16A	1284	684	5603	5567	5603	32A	1284	684	353	16A	1284	684	353

Assembly instructions

Vantis SGX/AGX. XXX A8/A8L

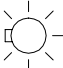


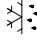

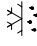

10.1.3 Vantis SG 3 with hand rail lighting

Length	10.1.3.1 Basic values									10.1.3.2 Σ-power with lighting									10.1.3.3 Σ-power with discharge gas defrost								
	Permanent heater			Defrost heater			Σ-power			Σ-power			Σ-power			Σ-power			Σ-power								
	L3	L2	L1	L3	L2	L1	L3	L2	L1	L3	L2	L1	L3	L2	L1	L3	L2	L1	L3	L2	L1	L3	L2	L1			
188	76	287	723		900	850	900	723	287	76	1144	1137	900	16A	723	287	76	244	287						16A		
250	152	349	971		1200	1150	1150	971	349	152	1507	1499	1150	16A	971	349	152	307	349						16A		
375	228	517	1320		1800	1700	1750	1320	517	228	2189	2217	1750	16A	1320	517	228	389	517						16A		
438	228	617	687	935	2050	2050	2050	687	1552	228	2258	2938	2050	16A	687	1552	228	208	888						16A		
500	304	679	935	935	2350	2350	2300	935	1614	304	2621	3300	2300	20A	935	1614	304	271	950						16A		
563	304	785	687	1284	2650	2650	2600	687	2069	304	2858	3788	2600	20A	687	2069	304	208	1138						16A		
625	380	847	935	1284	2950	2950	2850	935	2131	380	3221	4150	2850	25A	935	2131	380	271	1200						16A		
750	456	1015	1284	1284	3550	3500	3450	1284	2299	456	3903	4868	3450	25A	1284	2299	456	353	1368						16A		
813	456	1115	687	899	3750	3800	3850	687	2014	1740	3958	5150	4203	32A	687	2014	1740	207	1350	353					16A		
875	532	1177	935	899	4050	4100	4100	935	2076	1816	4321	5512	4453	32A	935	2076	1816	271	1412	353					16A		
938	532	1283	687	1248	4350	4400	4400	687	2531	1816	4558	6000	4753	32A	687	2531	1816	208	1600	353					16A		
1000	608	1345	935	1248	4650	4700	4650	935	2593	1892	4921	6362	5003	32A	935	2593	1892	271	1662	353					16A		
1125	684	1513	1284	1248	5250	5250	5250	1284	2761	1968	5603	7080	5603	40A	1284	2761	1968	353	1830	353					16A		

Assembly instructions

Vantis SGX/AGX. XXX A8/A8L

Änderungen vorbehalten
Subject to change without notice
Sous réserve de modification

Length	10.1.3.4 Σ -power lighting		10.1.3.5 Σ -power without lighting						10.1.3.6 Σ -power without lighting and discharge gas defrost								
																	
in cm	LX		L1	L2	L3	L1	L2	L3	L1	L2	L3	L1	L2	L3	L1	L2	L3
188	287	16A	723	850	900	1144	850	900	723	76	76	723	76	76	244		16A
250	349	16A	971	1150	1150	1507	1150	1150	971	152	152	971	152	152	307		16A
375	517	16A	1320	1700	1750	2189	1700	1750	1320	228	228	1320	228	228	389		16A
438	617	16A	687	935	2050	2258	2321	2050	687	228	228	687	935	228	208	271	16A
500	679	16A	935	935	2300	2621	2621	2300	935	304	304	935	935	304	271	271	16A
563	785	16A	687	1284	2600	2858	3003	2600	687	304	304	687	1284	304	208	353	16A
625	847	16A	935	1284	2850	3221	3303	2850	935	380	380	935	1284	380	271	353	16A
750	1015	16A	1284	1284	3450	3903	3853	3450	1284	456	456	1284	1284	456	353	353	16A
813	1115	16A	687	899	4203	3958	4035	4203	687	456	456	687	899	1740	208	235	16A
875	1177	16A	935	899	4453	4321	4335	4453	935	532	532	935	899	1816	271	235	16A
938	1283	16A	687	1248	4753	4558	4717	4753	687	532	532	687	1248	1816	208	317	16A
1000	1345	16A	935	1248	5003	4921	5017	5003	935	608	608	935	1248	1892	271	317	16A
1125	1513	16A	1284	1248	5603	5603	5567	5603	1284	684	684	1284	1248	1968	353	317	16A

Assembly instructions

Vantis SGX/AGX. XXX A8/A8L

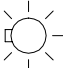


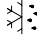


10.1.4 Vantis SG 3 with hand rail lighting and external lighting

Length	10.1.4.1 Basic values						10.1.4.2 Σ-power with lighting						10.1.4.3 Σ-power with discharge gas defrost							
	Permanent heater			Defrost heater			Σ		Σ		Σ		Σ		Σ		Σ			
	L3	L2	L1	L3	L2	L1	L3	L2	L1	L3	L2	L1	L3	L2	L1	L3	L2	L1		
188	76	372	723		900	850	900	723	372	76	1144	1222	900	16A	723	372	76	244	372	16A
250	152	457	971		1200	1150	1150	971	457	152	1507	1607	1150	16A	971	457	152	307	457	16A
375	228	686	1320		1800	1700	1750	1320	686	228	2189	2386	1750	16A	1320	686	228	389	686	16A
438	228	810	687	935	2050	2050	2050	687	1745	228	2258	3131	2050	16A	687	1745	228	208	1081	16A
500	304	895	935	935	2350	2350	2300	935	1830	304	2621	3516	2300	20A	935	1830	304	271	1166	16A
563	304	1039	687	1284	2650	2650	2600	687	2323	304	2858	4042	2600	20A	687	2323	304	208	1392	16A
625	380	1124	935	1284	2950	2950	2850	935	2408	380	3221	4427	2850	25A	935	2408	380	271	1477	16A
750	456	1353	1284	1284	3550	3500	3450	1284	2637	456	3903	5206	3450	32A	1284	2637	456	353	1706	16A
813	456	1477	687	899	3750	3800	3850	687	2376	1740	3958	5512	4203	32A	687	2376	1740	207	1712	16A
875	532	1562	935	899	4050	4100	4100	935	2461	1816	4321	5897	4453	32A	935	2461	1816	271	1797	16A
938	532	1706	687	1248	4350	4400	4400	687	2954	1816	4558	6423	4753	32A	687	2954	1816	208	2023	16A
1000	608	1791	935	1248	4650	4700	4650	935	3039	1892	4921	6808	5003	40A	935	3039	1892	271	2108	16A
1125	684	2020	1284	1248	5250	5250	5250	1284	3268	1968	5603	7587	5603	40A	1284	3268	1968	353	2337	20A

Assembly instructions

Vantis SGX/AGX. XXX A8/A8L

Änderungen vorbehalten
Subject to change without notice
Sous réserve de modification

Length in cm	10.1.4.4 Σ -power lighting			10.1.4.5 Σ -power without lighting						10.1.4.6 Σ -power without lighting and discharge gas defrost					
		LX													
				L1	L2	L3	L1	L2	L3	L1	L2	L3	L1	L2	L3
188	372	16A	723	76	1144	850	900	16A	723	76	244			16A	
250	457	16A	971	152	1507	1150	1150	16A	971	152	307			16A	
375	686	16A	1320	228	2189	1700	1750	16A	1320	228	389			16A	
438	810	16A	687	228	2258	2321	2050	16A	687	935	208	271		16A	
500	895	16A	935	304	2621	2621	2300	16A	935	935	271	271		16A	
563	1039	16A	687	304	2858	3003	2600	16A	687	1284	208	353		16A	
625	1124	16A	935	380	3221	3303	2850	16A	935	1284	271	353		16A	
750	1353	16A	1284	456	3903	3853	3450	20A	1284	1284	353	353		16A	
813	1477	16A	687	456	3958	4035	4203	25A	687	899	208	235	353	16A	
875	1562	16A	935	532	4321	4335	4453	25A	935	899	271	235	353	16A	
938	1706	16A	687	532	4558	4717	4753	25A	687	1248	208	317	353	16A	
1000	1791	16A	935	608	4921	5017	5003	25A	935	1248	271	317	353	16A	
1125	2020	16A	1284	684	5603	5567	5603	32A	1284	1248	353	317	353	16A	

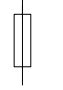



Assembly instructions

Vantis SGX/AGX. XXX A8/A8L

10.1.5 Vantis SG 3 L

Length	10.1.5.1 Basic values									10.1.5.2 Σ-power with lighting									10.1.5.3 Σ-power with discharge gas defrost								
	Permanent heater			Defrost heater			Σ-power with lighting			Σ-power with discharge gas defrost			Σ-power with lighting			Σ-power with discharge gas defrost			Σ-power with discharge gas defrost								
	L3	L2	L1	L3	L2	L1	L3	L2	L1	L3	L2	L1	L3	L2	L1	L3	L2	L1	L3	L2	L1	L3	L2	L1			
188	76	279	777	900	850	900	900	850	900	777	279	76	1144	1129	900	16A	777	279	76	244	279				16A		
250	152	335	986	1200	1150	1150	1200	1150	1150	986	335	152	1507	1485	1150	16A	986	335	152	307	335				16A		
375	228	485	1453	1800	1700	1750	1800	1700	1750	1443	485	228	2189	2185	1750	16A	1443	485	228	389	485				16A		
438	228	579	741	2050	2050	2050	2050	2050	2050	741	1529	228	2258	2990	2050	16A	741	1529	228	208	850				16A		
500	304	635	950	2350	2350	2300	2350	2350	2300	950	1585	304	2621	3256	2300	16A	950	1585	304	271	906				16A		
563	304	729	741	2650	2650	2600	2650	2650	2600	741	2146	304	2858	3732	2600	20A	741	2146	304	208	1082				16A		
625	380	785	950	2950	2950	2850	2950	2950	2850	950	2202	380	3221	4088	2850	20A	950	2202	380	271	1138				16A		
750	456	935	1417	3550	3500	3450	3550	3500	3450	1417	2352	456	3903	4788	3450	25A	1417	2352	456	353	1288				16A		
813	456	1029	741	3750	3800	3850	3750	3800	3850	741	1943	1873	3958	5064	4203	25A	741	1943	1873	208	1264	353			16A		
875	532	1085	950	4050	4100	4100	4050	4100	4100	950	1999	1949	4321	5420	4453	32A	950	1999	1949	271	1320	353			16A		
938	532	1179	741	4350	4400	4400	4350	4400	4400	741	2560	1949	4558	5896	4753	32A	741	2560	1949	208	1496	353			16A		
1000	608	1235	950	4650	4700	4650	4650	4700	4650	950	2616	2025	4921	6252	5003	32A	950	2616	2025	271	1552	353			16A		
1125	684	1385	1417	5250	5250	5250	5250	5250	5250	1417	2766	2101	5603	6952	5603	40A	1417	2766	2101	353	1702	353			16A		

Änderungen vorbehalten
Subject to change without notice
Sous réserve de modification

Length in cm	10.1.5.4 Σ -power lighting			10.1.5.5 Σ -power without lighting						10.1.5.6 Σ -power without lighting and discharge gas defrost									
	LX				Σ						Σ								
		L1	L2	L3	L1	L2	L3	L1	L2	L3	L1	L2	L3	L1	L2	L3			
188	279	16A	76	777	850	900	1144	850	900	16A	777	76	244			16A			
250	335	16A	152	986	1150	1150	1507	1150	1150	16A	986	152	307			16A			
375	485	16A	228	1443	1700	1750	2189	1700	1750	16A	1443	228	389			16A			
438	579	16A	228	741	2321	2050	2258	2321	2050	16A	741	228	208	271		16A			
500	635	16A	304	950	2621	2300	2621	2621	2300	16A	950	304	271	271		16A			
563	729	16A	304	741	3003	2600	2858	3003	2600	16A	741	304	208	353		16A			
625	785	16A	380	950	3303	2850	3221	3303	2850	16A	950	380	271	353		16A			
750	935	16A	456	1417	3853	3450	3903	3853	3450	20A	1417	456	353	353		16A			
813	1029	16A	1873	741	4035	4203	3958	4035	4203	25A	741	1873	208	235	353	16A			
875	1085	16A	1949	950	4335	4453	4321	4335	4453	25A	950	1949	271	235	353	16A			
938	1179	16A	1949	741	4717	4753	4558	4717	4753	25A	741	1949	208	317	353	16A			
1000	1235	16A	2025	950	5017	5003	4921	5017	5003	25A	950	2025	271	317	353	16A			
1125	1385	16A	2101	1417	5567	5603	5603	5567	5603	32A	1417	2101	353	317	353	16A			

Assembly instructions

Vantis SGX/AGX. XXX A8/A8L

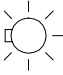





10.1.6 Vantis SG 3 L with external lighting

Length	10.1.6.1 Basic values						10.1.6.2 Σ-power with lighting						10.1.6.3 Σ-power with discharge gas defrost																												
	Permanent heater			Defrost heater			Σ		Σ		Σ		Σ		Σ		Σ		Σ																						
	L3	L2	L1	L3	L2	L1															L3	L2	L1	L3	L2	L1	L3	L2	L1	L3	L2	L1									
in cm	76	364	777	152	443	986	228	654	1453	741	950	777	364	76	1144	1214	900	16A	777	364	76	1144	1214	900	16A	777	364	76	1144	1214	900	16A	777	364	76	1144	1214	900	16A		
188	152	443	986	228	654	1453	741	950	777	364	76	1144	1214	900	16A	777	364	76	1144	1214	900	16A	777	364	76	1144	1214	900	16A	777	364	76	1144	1214	900	16A					
250	304	851	950	2350	2300	2350	2650	2650	2950	2950	3500	3450	3850	4100	4100	4100	4100	4100	4100	4100	4100	4100	4100	4100	4100	4100	4100	4100	4100	4100	4100	4100	4100	4100	4100	4100	4100	4100			
375	304	851	950	2350	2300	2350	2650	2650	2950	2950	3500	3450	3850	4100	4100	4100	4100	4100	4100	4100	4100	4100	4100	4100	4100	4100	4100	4100	4100	4100	4100	4100	4100	4100	4100	4100	4100	4100	4100		
438	304	851	950	2350	2300	2350	2650	2650	2950	2950	3500	3450	3850	4100	4100	4100	4100	4100	4100	4100	4100	4100	4100	4100	4100	4100	4100	4100	4100	4100	4100	4100	4100	4100	4100	4100	4100	4100	4100		
500	304	851	950	2350	2300	2350	2650	2650	2950	2950	3500	3450	3850	4100	4100	4100	4100	4100	4100	4100	4100	4100	4100	4100	4100	4100	4100	4100	4100	4100	4100	4100	4100	4100	4100	4100	4100	4100	4100	4100	
563	380	1062	1417	1417	1417	1417	1417	1417	1417	1417	1417	1417	1417	1417	1417	1417	1417	1417	1417	1417	1417	1417	1417	1417	1417	1417	1417	1417	1417	1417	1417	1417	1417	1417	1417	1417	1417	1417	1417		
625	456	1273	1417	1417	1417	1417	1417	1417	1417	1417	1417	1417	1417	1417	1417	1417	1417	1417	1417	1417	1417	1417	1417	1417	1417	1417	1417	1417	1417	1417	1417	1417	1417	1417	1417	1417	1417	1417	1417	1417	
750	456	1391	741	914	1417	1417	1417	1417	1417	1417	1417	1417	1417	1417	1417	1417	1417	1417	1417	1417	1417	1417	1417	1417	1417	1417	1417	1417	1417	1417	1417	1417	1417	1417	1417	1417	1417	1417	1417	1417	
813	532	1470	950	914	1417	1417	1417	1417	1417	1417	1417	1417	1417	1417	1417	1417	1417	1417	1417	1417	1417	1417	1417	1417	1417	1417	1417	1417	1417	1417	1417	1417	1417	1417	1417	1417	1417	1417	1417	1417	
875	532	1602	741	1381	1417	1417	1417	1417	1417	1417	1417	1417	1417	1417	1417	1417	1417	1417	1417	1417	1417	1417	1417	1417	1417	1417	1417	1417	1417	1417	1417	1417	1417	1417	1417	1417	1417	1417	1417	1417	1417
938	608	1681	950	1381	1417	1417	1417	1417	1417	1417	1417	1417	1417	1417	1417	1417	1417	1417	1417	1417	1417	1417	1417	1417	1417	1417	1417	1417	1417	1417	1417	1417	1417	1417	1417	1417	1417	1417	1417	1417	1417
1000	684	1892	1417	1381	1417	1417	1417	1417	1417	1417	1417	1417	1417	1417	1417	1417	1417	1417	1417	1417	1417	1417	1417	1417	1417	1417	1417	1417	1417	1417	1417	1417	1417	1417	1417	1417	1417	1417	1417	1417	1417
1125	684	1892	1417	1381	1417	1417	1417	1417	1417	1417	1417	1417	1417	1417	1417	1417	1417	1417	1417	1417	1417	1417	1417	1417	1417	1417	1417	1417	1417	1417	1417	1417	1417	1417	1417	1417	1417	1417	1417	1417	1417

Assembly instructions

Vantis SGX/AGX. XXX A8/A8L

Änderungen vorbehalten
Subject to change without notice
Sous réserve de modification

Length	10.1.6.4 Σ -power lighting		10.1.6.5 Σ -power without lighting						10.1.6.6 Σ -power without lighting and discharge gas defrost					
														
in cm	LX		L1	L2	L3	L1	L2	L3	L1	L2	L3	L1	L2	L3
188	364	16A	777	850	900	1144	850	900	777			244		16A
250	443	16A	986	1150	1150	1507	1150	1150	986			307		16A
375	654	16A	1443	1700	1750	2189	1700	1750	1443			389		16A
438	772	16A	741	950	2050	2258	2321	2050	741	950	228	208	271	16A
500	851	16A	950	950	2300	2621	2621	2300	950	950	304	271	271	16A
563	983	16A	741	1417	2600	2858	3003	2600	741	1417	304	208	353	16A
625	1062	16A	950	1417	2850	3221	3303	2850	950	1417	380	271	353	16A
750	1273	16A	1417	1417	3450	3903	3853	3450	1417	1417	456	353	353	16A
813	1391	16A	741	914	1873	3958	4035	4203	741	914	1873	208	235	16A
875	1470	16A	950	914	1949	4321	4335	4453	950	914	1949	271	235	16A
938	1602	16A	741	1381	1949	4558	4717	4753	741	1381	1949	208	317	16A
1000	1681	16A	950	1381	2025	4921	5017	5003	950	1381	2025	271	317	16A
1125	1892	16A	1417	1381	2101	5603	5567	5603	1417	1381	2101	353	317	16A

Assembly instructions

Vantis SGX/AGX. XXX A8/A8L

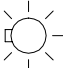


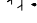


10.1.7 Vantis SG 3 L with hand rail lighting

Length	10.1.7.1 Basic values									10.1.7.2 Σ-power with lighting									10.1.7.3 Σ-power with discharge gas defrost																	
	Permanent heater			Defrost heater			Σ-power			Σ-power			Σ-power			Σ-power			Σ-power																	
	L3	L2	L1	L3	L2	L1	L3	L2	L1	L3	L2	L1	L3	L2	L1	L3	L2	L1	L3	L2	L1															
188	76	348	777		900	850	900	900	777	348	76	1144	1198	900	16A	777	348	76	1144	1198	900	16A	777	348	76	1144	1198	900	16A	777	348	76	1144	1198	900	16A
250	152	425	986		1200	1150	1150	1200	986	425	152	1507	1575	1150	16A	986	425	152	1507	1575	1150	16A	986	425	152	1507	1575	1150	16A	986	425	152	1507	1575	1150	16A
375	228	623	1453		1800	1700	1750	1800	1443	623	228	2189	2323	1750	16A	1443	623	228	2189	2323	1750	16A	1443	623	228	2189	2323	1750	16A	1443	623	228	2189	2323	1750	16A
438	228	738	741	950	2050	2050	2050	2050	741	1688	228	2258	3059	2050	16A	741	1688	228	2258	3059	2050	16A	741	1688	228	2258	3059	2050	16A	741	1688	228	2258	3059	2050	16A
500	304	815	950	950	2350	2350	2300	2350	950	1765	304	2621	3436	2300	20A	950	1765	304	2621	3436	2300	20A	950	1765	304	2621	3436	2300	20A	950	1765	304	2621	3436	2300	20A
563	304	936	741	1417	2650	2650	2600	2650	741	2353	304	2858	3939	2600	20A	741	2353	304	2858	3939	2600	20A	741	2353	304	2858	3939	2600	20A	741	2353	304	2858	3939	2600	20A
625	380	1013	950	1417	2950	2950	2850	2950	950	2430	380	3221	4316	2850	20A	950	2430	380	3221	4316	2850	20A	950	2430	380	3221	4316	2850	20A	950	2430	380	3221	4316	2850	20A
750	456	1211	1417	1417	3550	3500	3450	3550	1417	2628	456	3903	5064	3450	25A	1417	2628	456	3903	5064	3450	25A	1417	2628	456	3903	5064	3450	25A	1417	2628	456	3903	5064	3450	25A
813	456	1326	741	914	3750	3800	3850	3750	741	2240	1873	3958	5361	4203	32A	741	2240	1873	3958	5361	4203	32A	741	2240	1873	3958	5361	4203	32A	741	2240	1873	3958	5361	4203	32A
875	532	1403	950	914	4050	4100	4100	4050	950	2317	1949	4321	5738	4453	32A	950	2317	1949	4321	5738	4453	32A	950	2317	1949	4321	5738	4453	32A	950	2317	1949	4321	5738	4453	32A
938	532	1524	741	1381	4350	4400	4400	4350	741	2905	1949	4558	6241	4753	32A	741	2905	1949	4558	6241	4753	32A	741	2905	1949	4558	6241	4753	32A	741	2905	1949	4558	6241	4753	32A
1000	608	1601	950	1381	4650	4700	4650	4650	950	2982	2025	4921	6618	5003	40A	950	2982	2025	4921	6618	5003	40A	950	2982	2025	4921	6618	5003	40A	950	2982	2025	4921	6618	5003	40A
1125	684	1799	1417	1381	5250	5250	5250	5250	1417	3180	2101	5603	7366	5603	40A	1417	3180	2101	5603	7366	5603	40A	1417	3180	2101	5603	7366	5603	40A	1417	3180	2101	5603	7366	5603	40A

Assembly instructions

Vantis SGX/AGX. XXX A8/A8L

Änderungen vorbehalten
Subject to change without notice
Sous réserve de modification

Length	10.1.7.4 Σ -power lighting		10.1.7.5 Σ -power without lighting						10.1.7.6 Σ -power without lighting and discharge gas defrost					
														
in cm	LX	L1	L2	L3	L1	L2	L3	L1	L2	L3	L1	L2	L3	
188	348	777	76	900	1144	850	900	16A	16A	16A	777	76	244	
250	425	986	152	1150	1507	1150	1150	16A	16A	16A	986	152	307	
375	623	1443	228	1750	2189	1700	1750	16A	16A	16A	1443	228	389	
438	738	741	228	2050	2258	2321	2050	16A	16A	16A	741	950	208	
500	815	950	304	2300	2621	2621	2300	16A	16A	16A	950	950	271	
563	936	741	304	2600	2858	3003	2600	16A	16A	16A	741	1417	208	
625	1013	950	380	2850	3221	3303	2850	16A	16A	16A	950	1417	271	
750	1211	1417	456	3450	3903	3853	3450	20A	20A	20A	1417	1417	353	
813	1326	741	1873	4203	3958	4035	4203	25A	25A	25A	741	914	208	
875	1403	950	1949	4453	4321	4335	4453	25A	25A	25A	950	914	271	
938	1524	741	1949	4753	4558	4717	4753	25A	25A	25A	741	1381	208	
1000	1601	950	2025	5003	4921	5017	5003	25A	25A	25A	950	1381	271	
1125	1799	1417	2101	5603	5603	5567	5603	32A	32A	32A	1417	1381	353	

Assembly instructions

Vantis SGX/AGX. XXX A8/A8L

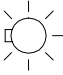

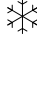



10.1.8 Vantis SG 3 L with hand rail lighting and external lighting

Length	10.1.8.1 Basic values									10.1.8.2 Σ-power with lighting									10.1.8.3 Σ-power with discharge gas defrost								
	Permanent heater			Defrost heater			Σ-power with lighting			Σ-power with discharge gas defrost			Σ-power with lighting			Σ-power with discharge gas defrost			Σ-power with discharge gas defrost								
	L3	L2	L1	L3	L2	L1	L3	L2	L1	L3	L2	L1	L3	L2	L1	L3	L2	L1	L3	L2	L1	L3	L2	L1			
188	76	433	777		900	850	900	900	777	433	76	1144	1283	900	16A	777		76	244	433					16A		
250	152	533	986		1200	1150	1150	986	986	533	152	1507	1683	1150	16A	986		152	307	533					16A		
375	228	792	1453		1800	1700	1750	1443	1443	792	228	2189	2492	1750	16A	1443		228	389	792					16A		
438	228	931	741	950	2050	2050	2050	741	1881	228	2258	3252	2050	16A	741		228	208	1202						16A		
500	304	1031	950	950	2350	2350	2300	950	1981	304	2621	3652	2300	20A	950		304	271	1302						16A		
563	304	1190	741	1417	2650	2650	2600	741	2607	304	2858	4193	2600	25A	741		304	208	1543						16A		
625	380	1290	950	1417	2950	2950	2850	950	2707	380	3221	4593	2850	25A	950		380	271	1643						16A		
750	456	1549	1417	1417	3550	3500	3450	1417	2966	456	3903	5402	3450	32A	1417		456	353	1902						16A		
813	456	1688	741	914	3750	3800	3850	741	2602	1873	3958	5723	4203	25A	741		1873	208	1923						16A		
875	532	1788	950	914	4050	4100	4100	950	2702	1949	4321	6123	4453	32A	950		1949	271	2023						16A		
938	532	1947	741	1381	4350	4400	4400	741	3328	1949	4558	6664	4753	40A	741		1949	208	2264						20A		
1000	608	2047	950	1381	4650	4700	4650	950	3428	2025	4921	7064	5003	40A	950		2025	271	2364						20A		
1125	684	2306	1417	1381	5250	5250	5250	1417	3687	2101	5603	7873	5603	40A	1417		2101	353	2623						20A		

Assembly instructions

Vantis SGX/AGX. XXX A8/A8L

Änderungen vorbehalten
Subject to change without notice
Sous réserve de modification

Length	10.1.8.4 Σ -power lighting		10.1.8.5 Σ -power without lighting						10.1.8.6 Σ -power without lighting and discharge gas defrost					
														
in cm	LX		L1	L2	L3	L1	L2	L3	L1	L2	L3	L1	L2	L3
188	433	16A	777	76	900	1144	850	900	777			244		16A
250	533	16A	986	152	1150	1507	1150	1150	986			307		16A
375	792	16A	1443	228	1750	2189	1700	1750	1443			389		16A
438	931	16A	741	228	2050	2258	2321	2050	741	950	228	208	271	16A
500	1031	16A	950	304	2300	2621	2621	2300	950	950	304	271	271	16A
563	1190	16A	741	304	2600	2858	3003	2600	741	1417	304	208	353	16A
625	1290	16A	950	380	2850	3221	3303	2850	950	1417	380	271	353	16A
750	1549	16A	1417	456	3450	3903	3853	3450	1417	1417	456	353	353	16A
813	1688	16A	741	1873	4203	3958	4035	4203	741	914	1873	208	235	16A
875	1788	16A	950	1949	4453	4321	4335	4453	950	914	1949	271	235	16A
938	1947	16A	741	1949	4753	4558	4717	4753	741	1381	1949	208	317	16A
1000	2047	16A	950	2025	5003	4921	5017	5003	950	1381	2025	271	317	16A
1125	2306	16A	1417	2101	5603	5603	5567	5603	1417	1381	2101	353	317	16A

Assembly instructions

Vantis SGX/AGX. XXX A8/A8L

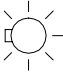


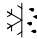




10.1.9 Vantis SG 4

Length	10.1.9.1 Basic values						10.1.9.2 Σ-power with lighting						10.1.9.3 Σ-power with discharge gas defrost								
	Permanent heater			Defrost heater			❄		❄		❄		❄		❄		❄		❄		
	L1	L2	L3	L1	L2	L3															
in cm	L3	L2	L1	L1	L2	L3	L1	L2	L3	L1	L2	L3	L1	L2	L3	L1	L2	L3	L1	L2	L3
188	76	218	737	900	850	900	737	218	76	1158	1068	900	16A	737	218	76	258	218	258	218	16A
250	152	259	985	1200	1150	1150	985	259	152	1521	1409	1150	16A	985	259	152	321	259	321	259	16A
375	228	379	1333	1800	1700	1750	1333	379	228	2202	2079	1750	16A	1333	379	228	402	379	402	379	16A
438	228	458	696	2050	2050	2050	696	1402	228	2267	2788	2050	16A	696	1402	228	217	738	217	738	16A
500	304	499	944	2350	2350	2300	944	1443	304	2630	3129	2300	16A	944	1443	304	280	779	280	779	16A
563	304	578	696	2650	2650	2600	696	1870	304	2867	3589	2600	20A	696	1870	304	217	939	217	939	16A
625	380	619	944	2950	2950	2850	944	1911	380	3230	3930	2850	20A	944	1911	380	280	980	280	980	16A
750	456	739	1292	3550	3500	3450	1292	2031	456	3911	4600	3450	25A	1292	2031	456	361	1100	361	1100	16A
813	456	818	696	3750	3800	3850	696	1721	456	4967	4857	4211	25A	696	1721	456	217	1057	217	1057	16A
875	532	859	944	4050	4100	4100	944	1762	532	4330	5198	4461	32A	944	1762	456	280	1098	280	1098	16A
938	532	938	696	4350	4400	4400	696	2189	532	4567	5658	4761	32A	696	2189	456	217	1258	217	1258	16A
1000	608	979	944	4650	4700	4650	944	2230	608	4930	5999	5011	32A	944	2230	456	280	1299	280	1299	16A
1125	684	1099	1292	5250	5250	5250	1292	2350	684	5611	6669	5611	40A	1292	2350	456	361	1419	361	1419	16A

Assembly instructions

Vantis SGX/AGX. XXX A8/A8L

Änderungen vorbehalten
Subject to change without notice
Sous réserve de modification

Length	10.1.9.4 Σ -power lighting		10.1.9.5 Σ -power without lighting						10.1.9.6 Σ -power without lighting and disccharge gas defrost					
														
in cm	LX		L1	L2	L3	L1	L2	L3	L1	L2	L3	L1	L2	L3
188	218	16A	737	76	1158	850	900	16A	737	76	258	16A		
250	259	16A	985	152	1521	1150	1150	16A	985	152	321	16A		
375	379	16A	1333	228	2202	1700	1750	16A	1333	228	402	16A		
438	458	16A	696	944	2267	2330	2050	16A	696	944	217	16A		
500	499	16A	944	944	2630	2630	2300	16A	944	944	280	16A		
563	578	16A	696	1292	2867	3011	2600	16A	696	1292	361	16A		
625	619	16A	944	1292	3230	3311	2850	16A	944	1292	361	16A		
750	739	16A	1292	1292	3911	3861	3450	20A	1292	1292	361	16A		
813	818	16A	696	903	4967	4039	4211	25A	696	903	217	16A		
875	859	16A	944	903	4330	4339	4461	25A	944	903	280	16A		
938	938	16A	696	1251	4567	4720	4761	25A	696	1251	217	16A		
1000	979	16A	944	1251	4930	5020	5011	25A	944	1251	280	16A		
1125	1099	16A	1292	1251	5611	5570	5611	32A	1292	1251	361	16A		

Assembly instructions

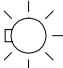


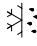

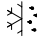

Vantis SGX/AGX. XXX A8/A8L

10.1.10 Vantis SG 4 with external lighting

Length	10.1.10.1 Basic values									10.1.10.2 Σ-power with lighting									10.1.10.3 Σ-power with discharge gas defrost								
	Permanent heater			Defrost heater																							
	L1	L2	L3	L1	L2	L3																					
in cm	L3	L2	L1	L1	L2	L3	L1	L2	L3	L1	L2	L3	L1	L2	L3	L1	L2	L3	L1	L2	L3	L1	L2	L3	L1	L2	L3
188	76	303	737	900	850	900	737	303	76	1158	1153	900	16A	16A	16A	737	303	76	258	303	303	258	303	303	258	303	303
250	152	367	985	1200	1150	1150	985	367	152	1521	1517	1150	16A	16A	16A	985	367	152	321	367	367	321	367	367	321	367	367
375	228	548	1333	1800	1700	1750	1333	548	228	2202	2248	1750	16A	16A	16A	1333	548	228	402	548	548	402	548	548	402	548	548
438	228	651	696	2050	2050	2050	696	1595	228	2267	2981	2050	16A	16A	16A	696	1595	228	217	931	931	217	931	931	217	931	931
500	304	715	944	2350	2350	2300	944	1659	304	2630	3345	2300	20A	20A	20A	944	1659	304	280	995	995	280	995	995	280	995	995
563	304	832	696	2650	2650	2600	696	2124	304	2867	3843	2600	20A	20A	20A	696	2124	304	217	1193	1193	217	1193	1193	217	1193	1193
625	380	896	944	2950	2950	2850	944	2188	380	3230	4207	2850	25A	25A	25A	944	2188	380	280	1257	1257	280	1257	1257	280	1257	1257
750	456	1077	1292	3550	3500	3450	1292	2369	456	3911	4938	3450	25A	25A	25A	1292	2369	456	361	1438	1438	361	1438	1438	361	1438	1438
813	456	1180	696	3750	3800	3850	696	2083	1748	4967	5219	4211	32A	32A	32A	696	2083	1748	217	1419	1419	217	1419	1419	217	1419	1419
875	532	1244	944	4050	4100	4100	944	2147	1824	4330	5583	4461	32A	32A	32A	944	2147	1824	280	1483	1483	280	1483	1483	280	1483	1483
938	532	1361	696	4350	4400	4400	696	2612	1824	4567	6081	4761	32A	32A	32A	696	2612	1824	217	1681	1681	217	1681	1681	217	1681	1681
1000	608	1425	944	4650	4700	4650	944	2676	1900	4930	6445	5011	32A	32A	32A	944	2676	1900	280	1745	1745	280	1745	1745	280	1745	1745
1125	684	1606	1292	5250	5250	5250	1292	2857	1976	5611	7176	5611	40A	40A	40A	1292	2857	1976	361	1926	1926	361	1926	1926	361	1926	1926

Änderungen vorbehalten
Subject to change without notice
Sous réserve de modification

Änderungen vorbehalten
Subject to change without notice
Sous réserve de modification

Length	10.1.10.4 Σ -power lighting		10.1.10.5 Σ -power without lighting						10.1.10.6 Σ -power without lighting and disccharge gas defrost						
															
in cm	LX		L1	L2	L3	L1	L2	L3	L1	L2	L3	L1	L2	L3	
188	303	16A	737	850	900	1158	850	900	737	76	76	258			16A
250	367	16A	985	1150	1150	1521	1150	1150	985	152	152	321			16A
375	548	16A	1333	1700	1750	2202	1700	1750	1333	228	228	402			16A
438	651	16A	696	944	2050	2267	2330	2050	696	944	228	217	280		16A
500	715	16A	944	944	2300	2630	2630	2300	944	944	304	280	280		16A
563	832	16A	696	1292	2600	2867	3011	2600	696	1292	304	217	361		16A
625	896	16A	944	1292	2850	3230	3311	2850	944	1292	380	280	361		16A
750	1077	16A	1292	1292	3450	3911	3861	3450	1292	1292	456	361	361		16A
813	1180	16A	696	903	4211	4967	4039	4211	696	903	1748	217	239	361	16A
875	1244	16A	944	903	4461	4330	4339	4461	944	903	1824	280	239	361	16A
938	1361	16A	696	1251	4761	4567	4720	4761	696	1251	1824	217	320	361	16A
1000	1425	16A	944	1251	5011	4930	5020	5011	944	1251	1900	280	320	361	16A
1125	1606	16A	1292	1251	5611	5611	5570	5611	1292	1251	1976	361	320	361	16A

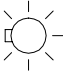


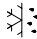



Assembly instructions

Vantis SGX/AGX. XXX A8/A8L

10.1.11 Vantis SG 4 with hand rail lighting

Length	10.1.11.1 Basic values									10.1.11.2 Σ-power with lighting									10.1.11.3 Σ-power with discharge gas defrost								
	Permanent heater			Defrost heater			Σ			Σ			Σ			Σ			Σ								
	L3	L2	L1	L3	L2	L1	L3	L2	L1	L3	L2	L1	L3	L2	L1	L3	L2	L1	L3	L2	L1						
188	76	287	737		900	850	900	900	737	287	76	1158	1137	900	16A	737	287	76	258	287		16A					
250	152	349	985		1200	1150	1150	1150	985	349	152	1521	1499	1150	16A	985	349	152	321	349		16A					
375	228	517	1333		1800	1700	1750	1750	1333	517	228	2202	2217	1750	16A	1333	517	228	402	517		16A					
438	228	617	696	944	2050	2050	2050	2050	696	1561	228	2267	2947	2050	16A	696	1561	228	217	897		16A					
500	304	679	944	944	2350	2350	2300	2300	944	1623	304	2630	3309	2300	20A	944	1623	304	280	959		16A					
563	304	785	696	1292	2650	2650	2600	2600	696	2077	304	2867	3796	2600	20A	696	2077	304	217	1146		16A					
625	380	847	944	1292	2950	2950	2850	2850	944	2139	380	3230	4158	2850	25A	944	2139	380	280	1208		16A					
750	456	1015	1292	1292	3550	3500	3450	3450	1292	2307	456	3911	4876	3450	25A	1292	2307	456	361	1376		16A					
813	456	1115	696	903	3750	3800	3850	3850	696	2018	1748	4967	4154	4211	32A	696	2018	1748	217	1354	361	16A					
875	532	1177	944	903	4050	4100	4100	4100	944	2080	1824	4330	5516	4461	32A	944	2080	1824	280	1416	361	16A					
938	532	1283	696	1251	4350	4400	4400	4400	696	2543	1824	4567	6003	4761	32A	696	2543	1824	217	1603	361	16A					
1000	608	1345	944	1251	4650	4700	4650	4650	944	2596	1900	4930	6365	5011	32A	944	2596	1900	280	1665	361	16A					
1125	684	1513	1292	1251	5250	5250	5250	5250	1292	2764	1976	5611	7083	5611	40A	1292	2764	1976	361	1833	361	16A					

Änderungen vorbehalten
Subject to change without notice
Sous réserve de modification

Length	10.1.11.4 Σ -power lighting		10.1.11.5 Σ -power without lighting						10.1.11.6 Σ -power without lighting and disccharge gas defrost						
															
in cm	LX		L1	L2	L3	L1	L2	L3	L1	L2	L3	L1	L2	L3	
188	287	16A	737	76	1158	850	900	16A	737	76	1158	850	900	16A	16A
250	349	16A	985	152	1521	1150	1150	16A	985	152	1521	1150	1150	16A	16A
375	517	16A	1333	228	2202	1700	1750	16A	1333	228	2202	1700	1750	16A	16A
438	617	16A	696	944	2267	2330	2050	16A	696	944	2267	2330	2050	16A	16A
500	679	16A	944	944	2630	2630	2300	16A	944	944	2630	2630	2300	16A	16A
563	785	16A	696	1292	2867	3011	2600	16A	696	1292	2867	3011	2600	16A	16A
625	847	16A	944	1292	3230	3311	2850	16A	944	1292	3230	3311	2850	16A	16A
750	1015	16A	1292	1292	3911	3861	3450	20A	1292	1292	3911	3861	3450	16A	16A
813	1115	16A	696	903	4967	4039	4211	25A	696	903	4967	4039	4211	16A	16A
875	1177	16A	944	903	4330	4339	4461	25A	944	903	4330	4339	4461	16A	16A
938	1283	16A	696	1251	4567	4720	4761	25A	696	1251	4567	4720	4761	16A	16A
1000	1345	16A	944	1251	4930	5020	5011	25A	944	1251	4930	5020	5011	16A	16A
1125	1513	16A	1292	1251	5611	5570	5611	32A	1292	1251	5611	5570	5611	16A	16A

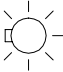

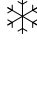




Assembly instructions

Vantis SGX/AGX. XXX A8/A8L

10.1.12 Vantis SG 4 with hand rail lighting and external lighting

Length	10.1.12.1 Basic values									10.1.12.2 Σ-power with lighting									10.1.12.3 Σ-power with discharge gas defrost											
	Permanent heater			Defrost heater																										
	L1	L2	L3	L1	L2	L3																			L1	L2	L3	L1	L2	L3
in cm	L3	L2	L1	L1	L2	L3	L1	L2	L3	L1	L2	L3	L1	L2	L3	L1	L2	L3	L1	L2	L3	L1	L2	L3	L1	L2	L3	L1	L2	L3
188	76	372	737	900	850	900	737	372	76	1158	1222	900	16A	16A	16A	737	372	76	258	372	76	258	372	76	258	372	76	258	372	76
250	152	457	985	1200	1150	1150	985	457	152	1521	1607	1150	16A	16A	16A	985	457	152	321	457	152	321	457	152	321	457	152	321	457	152
375	228	686	1333	1800	1700	1750	1333	686	228	2202	2386	1750	16A	16A	16A	1333	686	228	402	686	228	402	686	228	402	686	228	402	686	228
438	228	810	696	2050	2050	2050	696	1754	228	2267	3140	2050	16A	16A	16A	696	1754	228	217	1090	228	217	1090	228	217	1090	228	217	1090	228
500	304	895	944	2350	2350	2300	944	1839	304	2630	3525	2300	20A	20A	20A	944	1839	304	280	1175	304	280	1175	304	280	1175	304	280	1175	304
563	304	1039	696	2650	2650	2600	696	2331	304	2867	4050	2600	20A	20A	20A	696	2331	304	217	1400	304	217	1400	304	217	1400	304	217	1400	304
625	380	1124	944	2950	2950	2850	944	2416	380	3230	4435	2850	25A	25A	25A	944	2416	380	280	1485	380	280	1485	380	280	1485	380	280	1485	380
750	456	1353	1292	3550	3500	3450	1292	2645	456	3911	5214	3450	32A	32A	32A	1292	2645	456	361	1714	456	361	1714	456	361	1714	456	361	1714	456
813	456	1477	696	3750	3800	3850	696	2380	1748	4967	5516	4211	32A	32A	32A	696	2380	1748	217	1716	1748	217	1716	1748	217	1716	1748	217	1716	1748
875	532	1562	944	4050	4100	4100	944	2465	1824	4330	5901	4461	32A	32A	32A	944	2465	1824	280	1801	1824	280	1801	1824	280	1801	1824	280	1801	1824
938	532	1706	696	4350	4400	4400	696	2957	1824	4567	6426	4761	32A	32A	32A	696	2957	1824	217	2026	1824	217	2026	1824	217	2026	1824	217	2026	1824
1000	608	1791	944	4650	4700	4650	944	3042	1900	4930	6811	5011	40A	40A	40A	944	3042	1900	280	2111	1900	280	2111	1900	280	2111	1900	280	2111	1900
1125	684	2020	1292	5250	5250	5250	1292	3271	1976	5611	7590	5611	40A	40A	40A	1292	3271	1976	361	2340	1976	361	2340	1976	361	2340	1976	361	2340	1976

Änderungen vorbehalten
Subject to change without notice
Sous réserve de modification

Length	10.1.12.4 Σ -power lighting		10.1.12.5 Σ -power without lighting						10.1.12.6 Σ -power without lighting and disccharge gas defrost						
															
in cm	LX		L1	L2	L3	L1	L2	L3	L1	L2	L3	L1	L2	L3	
188	372	16A	737	76	1158	850	900	16A	737	76	1158	850	900	16A	16A
250	457	16A	985	152	1521	1150	1150	16A	985	152	1521	1150	1150	16A	16A
375	686	16A	1333	228	2202	1700	1750	16A	1333	228	2202	1700	1750	16A	16A
438	810	16A	696	944	2267	2330	2050	16A	696	944	2267	2330	2050	16A	16A
500	895	16A	944	944	2630	2630	2300	16A	944	944	2630	2630	2300	16A	16A
563	1039	16A	696	1292	2867	3011	2600	16A	696	1292	2867	3011	2600	16A	16A
625	1124	16A	944	1292	3230	3311	2850	16A	944	1292	3230	3311	2850	16A	16A
750	1353	16A	1292	1292	3911	3861	3450	20A	1292	1292	3911	3861	3450	16A	16A
813	1477	16A	696	903	4967	4039	4211	25A	696	903	4967	4039	4211	16A	16A
875	1562	16A	944	903	4330	4339	4461	25A	944	903	4330	4339	4461	16A	16A
938	1706	16A	696	1251	4567	4720	4761	25A	696	1251	4567	4720	4761	16A	16A
1000	1791	16A	944	1251	4930	5020	5011	25A	944	1251	4930	5020	5011	16A	16A
1125	2020	16A	1292	1251	5611	5570	5611	32A	1292	1251	5611	5570	5611	16A	16A

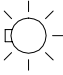

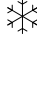




Assembly instructions

Vantis SGX/AGX. XXX A8/A8L

10.1.13 Vantis SG 4 L

Length	10.1.13.1 Basic values						10.1.13.2 Σ-power with lighting						10.1.13.3 Σ-power with discharge gas defrost					
	Permanent heater			Defrost heater			Σ		Σ		Σ		Σ		Σ		Σ	
	L3	L2	L1	L3	L2	L1	L3	L2	L1	L3	L2	L1	L3	L2	L1	L3	L2	L1
188	76	279	791		900	850	900	1158	1129	900	16A	791	279	76	258	279		16A
250	152	335	1000		1200	1150	1150	1521	1485	1150	16A	1000	335	152	321	335		16A
375	228	485	1466		1800	1700	1750	2202	2185	1750	16A	1466	485	228	402	485		16A
438	228	579	750	959	2050	2050	2050	2267	2909	2050	16A	750	1538	228	217	859		16A
500	304	635	595	959	2350	2350	2300	2630	3265	2300	16A	959	1594	304	280	915		16A
563	304	729	750	1425	2650	2650	2600	2867	3740	2600	20A	750	2154	304	217	1090		16A
625	380	785	959	1425	2950	2950	2850	3230	4096	2850	20A	959	2210	380	280	1146		16A
750	456	935	1425	1425	3550	3500	3450	3911	4796	3450	25A	1425	2360	456	361	1296		16A
813	456	1029	750	918	3750	3800	3850	3967	5068	4211	25A	750	1947	1881	217	1268	361	16A
875	532	1085	959	918	4050	4100	4100	4330	5424	4461	32A	959	2003	1957	280	1324	361	16A
938	532	1179	750	1384	4350	4400	4400	4567	5899	4761	32A	750	2563	1957	217	1499	361	16A
1000	608	1235	959	1384	4650	4700	4650	4930	6255	5011	32A	959	2619	2033	280	1555	361	16A
1125	684	1385	1425	1384	5250	5250	5250	5611	6955	5611	40A	1425	2769	2109	361	1705	361	16A

Änderungen vorbehalten
Subject to change without notice
Sous réserve de modification

Length in cm	10.1.13.4 Σ -power lighting		10.1.13.5 Σ -power without lighting						10.1.13.6 Σ -power without lighting and discharge gas defrost						
															
	LX		L1	L2	L3	L1	L2	L3	L1	L2	L3	L1	L2	L3	
188	279	16A	791	850	900	1158	850	900	791	76	76	791	258		16A
250	335	16A	1000	1150	1150	1521	1150	1150	1000	152	152	1000	321		16A
375	485	16A	1466	1700	1750	2202	1700	1750	1466	228	228	1466	402		16A
438	579	16A	750	959	2050	2267	2330	2050	750	959	228	750	217	280	16A
500	635	16A	959	2630	2300	2630	2630	2300	959	959	304	959	280	280	16A
563	729	16A	750	3011	2600	2867	3011	2600	750	1425	304	750	217	361	16A
625	785	16A	959	3311	2850	3230	3311	2850	959	1425	380	959	280	361	16A
750	935	16A	1425	3861	3450	3911	3861	3450	1425	1425	456	1425	361	361	16A
813	1029	16A	750	4039	4211	3967	4039	4211	750	918	1881	750	217	239	16A
875	1085	16A	959	4339	4461	4330	4339	4461	959	918	1957	959	280	361	16A
938	1179	16A	750	4720	4761	4567	4720	4761	750	1384	1957	750	217	361	16A
1000	1235	16A	959	5020	5011	4930	5020	5011	959	1384	2033	959	280	361	16A
1125	1385	16A	1425	5570	5611	5611	5570	5611	1425	1384	2109	1425	361	361	16A

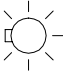





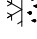

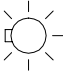





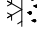

Assembly instructions

Vantis SGX/AGX. XXX A8/A8L

10.1.14 Vantis SG 4 L with external lighting

Length	10.1.14.1 Basic values									10.1.14.2 Σ-power with lighting									10.1.14.3 Σ-power with discharge gas defrost								
	Permanent heater			Defrost heater			Σ			Σ			Σ			Σ			Σ			Σ					
	L3	L2	L1	L3	L2	L1	L3	L2	L1	L3	L2	L1	L3	L2	L1	L3	L2	L1	L3	L2	L1	L3	L2	L1			
188	76	364	791		900	850	900	900	791	364	76	1158	1214	900	16A	791	364	76	258	364					16A		
250	152	443	1000		1200	1150	1150	1000	1000	443	152	1521	1593	1150	16A	1000	443	152	321	443					16A		
375	228	654	1466		1800	1700	1750	1466	1466	654	228	2202	2354	1750	16A	1466	654	228	402	654					16A		
438	228	772	750	959	2050	2050	2050	750	750	1731	228	2267	3102	2050	16A	750	1731	228	217	1052					16A		
500	304	851	595	959	2350	2350	2300	959	959	1810	304	2630	3481	2300	20A	959	1810	304	280	1131					16A		
563	304	983	750	1425	2650	2650	2600	750	750	2408	304	2867	3994	2600	20A	750	2408	304	217	1344					16A		
625	380	1062	959	1425	2950	2950	2850	959	959	2487	380	3230	4373	2850	25A	959	2487	380	280	1423					16A		
750	456	1273	1425	1425	3550	3500	3450	1425	1425	2698	456	3911	5134	3450	32A	1425	2698	456	361	1634					16A		
813	456	1391	750	918	3750	3800	3850	750	750	2309	1881	3967	5430	4211	32A	750	2309	1881	217	1630	361				16A		
875	532	1470	959	918	4050	4100	4100	959	959	2388	1957	4330	5809	4461	32A	959	2388	1957	280	1709	361				16A		
938	532	1602	750	1384	4350	4400	4400	750	750	2986	1957	4567	6322	4761	32A	750	2986	1957	217	1922	361				16A		
1000	608	1681	959	1384	4650	4700	4650	959	959	3065	2033	4930	6701	5011	40A	959	3065	2033	280	2001	361				16A		
1125	684	1892	1425	1384	5250	5250	5250	1425	1425	3276	2109	5611	7462	5611	40A	1425	3276	2109	361	2212	361				20A		

Änderungen vorbehalten
Subject to change without notice
Sous réserve de modification

Length	10.1.14.4 Σ -power lighting				10.1.14.5 Σ -power without lighting				10.1.14.6 Σ -power without lighting and discharge gas defrost								
																	
in cm	LX	L1	L2	L3	L1	L2	L3	L1	L2	L3	L1	L2	L3	L1	L2	L3	
188	364	791	76	900	1158	850	900	16A	16A	16A	791	76	258	16A			
250	443	1000	152	1150	1521	1150	1150	16A	16A	16A	1000	152	321	16A			
375	654	1466	228	1750	2202	1700	1750	16A	16A	16A	1466	228	402	16A			
438	772	750	959	2050	2267	2330	2050	16A	16A	16A	750	959	217	16A			
500	851	959	959	2300	2630	2630	2300	16A	16A	16A	959	959	280	16A			
563	983	750	1425	2600	2867	3011	2600	16A	16A	16A	750	1425	217	16A			
625	1062	959	1425	2850	3230	3311	2850	16A	16A	16A	959	1425	280	16A			
750	1273	1425	1425	3450	3911	3861	3450	20A	20A	20A	1425	1425	361	16A			
813	1391	750	918	4211	3967	4039	4211	25A	25A	25A	750	918	217	16A			
875	1470	959	918	4461	4330	4339	4461	25A	25A	25A	959	918	280	16A			
938	1602	750	1384	4761	4567	4720	4761	25A	25A	25A	750	1384	217	16A			
1000	1681	959	1384	5011	4930	5020	5011	25A	25A	25A	959	1384	280	16A			
1125	1892	1425	1384	5611	5611	5570	5611	32A	32A	32A	1425	1384	361	16A			

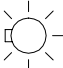

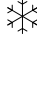


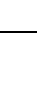
Assembly instructions

Vantis SGX/AGX. XXX A8/A8L

10.1.15 Vantis SG 4 L with hand rail lighting

Length	10.1.15.1 Basic values									10.1.15.2 Σ-power with lighting									10.1.15.3 Σ-power with discharge gas defrost								
	Permanent heater			Defrost heater			Σ			Σ			Σ			Σ			Σ			Σ					
	L3	L2	L1	L3	L2	L1	L3	L2	L1	L3	L2	L1	L3	L2	L1	L3	L2	L1	L3	L2	L1	L3	L2	L1			
188	76	348	791		900	850	900	900	16A	1158	1198	900	16A	791	348	76	258	348	16A								
250	152	425	1000		1200	1150	1150	16A	1521	1575	1150	16A	1000	425	152	321	425	16A									
375	228	623	1466		1800	1700	1750	16A	2202	2323	1750	16A	1466	623	228	402	623	16A									
438	228	738	750	959	2050	2050	2050	16A	2267	3068	2050	16A	750	1697	228	217	1018	16A									
500	304	815	595	959	2350	2350	2300	20A	2630	3445	2300	20A	959	1774	304	280	1095	16A									
563	304	936	750	1425	2650	2650	2600	20A	2867	3947	2600	20A	750	2361	304	217	1297	16A									
625	380	1013	959	1425	2950	2950	2850	25A	3230	4324	2850	25A	959	2438	380	280	1374	16A									
750	456	1211	1425	1425	3550	3500	3450	25A	3911	5072	3450	25A	1425	2636	456	361	1572	16A									
813	456	1326	750	918	3750	3800	3850	32A	3967	5365	4211	32A	750	2244	1881	217	1565	16A									
875	532	1403	959	918	4050	4100	4100	32A	4330	5742	4461	32A	959	2321	1957	280	1642	16A									
938	532	1524	750	1384	4350	4400	4400	32A	4567	6244	4761	32A	750	2908	1957	217	1844	16A									
1000	608	1601	959	1384	4650	4700	4650	40A	4930	6621	5011	40A	959	2985	2033	280	1921	16A									
1125	684	1799	1425	1384	5250	5250	5250	40A	5611	7369	5611	40A	1425	3183	2109	361	2119	20A									

Änderungen vorbehalten
Subject to change without notice
Sous réserve de modification

Length	10.1.15.4 Σ -power lighting		10.1.15.5 Σ -power without lighting						10.1.15.6 Σ -power without lighting and discharge gas defrost					
														
in cm	LX		L1	L2	L3	L1	L2	L3	L1	L2	L3	L1	L2	L3
188	348	16A	791	76	1158	850	900	16A	791	76	1158	850	900	16A
250	425	16A	1000	152	1521	1150	1150	16A	1000	152	1521	1150	1150	16A
375	623	16A	1466	228	2202	1700	1750	16A	1466	228	2202	1700	1750	16A
438	738	16A	750	228	2267	2330	2050	16A	750	228	2267	2330	2050	16A
500	815	16A	959	304	2630	2630	2300	16A	959	304	2630	2630	2300	16A
563	936	16A	750	304	2867	3011	2600	16A	750	304	2867	3011	2600	16A
625	1013	16A	959	380	3230	3311	2850	16A	959	380	3230	3311	2850	16A
750	1211	16A	1425	456	3911	3861	3450	20A	1425	456	3911	3861	3450	16A
813	1326	16A	750	1881	3967	4039	4211	25A	750	1881	3967	4039	4211	16A
875	1403	16A	959	1957	4330	4339	4461	25A	959	1957	4330	4339	4461	16A
938	1524	16A	750	1384	4567	4720	4761	25A	750	1384	4567	4720	4761	16A
1000	1601	16A	959	1384	4930	5020	5011	25A	959	1384	4930	5020	5011	16A
1125	1799	16A	1425	1384	5611	5570	5611	32A	1425	1384	5611	5570	5611	16A

Assembly instructions

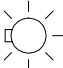




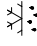
Vantis SGX/AGX. XXX A8/A8L

10.1.16 Vantis SG 4 L with hand rail lighting and external lighting

Length	10.1.16.1 Basic values									10.1.16.2 Σ-power with lighting									10.1.16.3 Σ-power with discharge gas defrost								
	Permanent heater			Defrost heater			Σ			Σ			Σ			Σ			Σ			Σ					
	L3	L2	L1	L3	L2	L1	L3	L2	L1	L3	L2	L1	L3	L2	L1	L3	L2	L1	L3	L2	L1	L3	L2	L1			
188	76	433	791		900	850	900	900	791	433	76	1158	1283	900	16A	791	433	76	258	433					16A		
250	152	533	1000		1200	1150	1150	1000	1000	533	152	1521	1683	1150	16A	1000	533	152	321	533					16A		
375	228	792	1466		1800	1700	1750	1466	1466	792	228	2202	2492	1750	16A	1466	792	228	402	792					16A		
438	228	931	750	959	2050	2050	2050	750	1890	228	2267	3261	2050	16A	750	931	228	217	1211						16A		
500	304	1031	595	959	2350	2350	2300	959	1990	304	2630	3661	2300	20A	959	1031	304	280	1311						16A		
563	304	1190	750	1425	2650	2650	2600	750	2615	304	2867	4201	2600	25A	750	1190	304	217	1551						16A		
625	380	1290	959	1425	2950	2950	2850	959	2715	380	3230	4601	2850	25A	959	1290	380	280	1651						16A		
750	456	1549	1425	1425	3550	3500	3450	1425	2974	456	3911	5410	3450	32A	1425	1549	456	361	1910						16A		
813	456	1688	750	918	3750	3800	3850	750	2606	1881	3967	5727	4211	32A	750	1688	1881	217	1927	361					16A		
875	532	1788	959	918	4050	4100	4100	959	2706	1957	4330	6127	4461	32A	959	1788	1957	280	2027	361					16A		
938	532	1947	750	1384	4350	4400	4400	750	3331	1957	4567	6667	4761	40A	750	1947	1957	217	2267	361					20A		
1000	608	2047	959	1384	4650	4700	4650	959	3431	2033	4930	7067	5011	40A	959	2047	2033	280	2367	361					20A		
1125	684	2306	1425	1384	5250	5250	5250	1425	3690	2109	5611	7876	5611	40A	1425	2306	2109	361	2626	361					20A		

Änderungen vorbehalten
 Subject to change without notice
 Sous réserve de modification

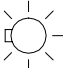


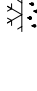
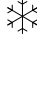

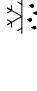

Änderungen vorbehalten
Subject to change without notice
Sous réserve de modification

Length	10.1.16.4 Σ -power lighting		10.1.16.5 Σ -power without lighting						10.1.16.6 Σ -power without lighting and discharge gas defrost					
														
in cm	LX		L1	L2	L3	L1	L2	L3	L1	L2	L3	L1	L2	L3
188	433	16A	791	76	900	1158	850	900	791	76	900	258		16A
250	533	16A	1000	152	1150	1521	1150	1150	1000	152	1150	321		16A
375	792	16A	1466	228	1750	2202	1700	1750	1466	228	1750	402		16A
438	931	16A	750	228	2050	2267	2330	2050	750	228	2050	217	280	16A
500	1031	16A	959	304	2300	2630	2630	2300	959	304	2300	280	280	16A
563	1190	16A	750	304	2600	2867	3011	2600	750	1425	304	217	361	16A
625	1290	16A	959	380	2850	3230	3311	2850	959	1425	380	280	361	16A
750	1549	16A	1425	456	3450	3911	3861	3450	1425	1425	456	361	361	16A
813	1688	16A	750	1881	4211	3967	4039	4211	750	918	1881	217	239	16A
875	1788	16A	959	1957	4461	4330	4339	4461	959	918	1957	280	239	16A
938	1947	16A	750	1384	4761	4567	4720	4761	750	1384	1957	217	320	16A
1000	2047	16A	959	1384	5011	4930	5020	5011	959	1384	2033	280	320	16A
1125	2306	16A	1425	1384	5611	5611	5570	5611	1425	1384	2109	361	320	16A

Assembly instructions

Vantis SGX/AGX. XXX A8/A8L

Änderungen vorbehalten
Subject to change without notice
Sous réserve de modification

Length	10.1.17.4 Σ -power lighting			10.1.17.5 Σ -power without lighting						10.1.17.6 Σ -power without lighting and discharge gas defrost						
																
in cm	LX	L1	L2	L3	L1	L2	L3	L1	L2	L3	L1	L2	L3	L1	L2	L3
188	218	750	76	1144	850	900	16A	750	76	1144	850	900	16A	750	76	1144
250	259	1007	152	1507	1150	1150	16A	1007	152	1507	1150	1150	16A	1007	152	1507
375	379	1374	228	2189	1700	1750	16A	1374	228	2189	1700	1750	16A	1374	228	2189
438	458	714	228	2258	2321	2050	16A	714	228	2258	2321	2050	16A	714	228	2258
500	499	971	304	2621	2621	2300	16A	971	304	2621	2621	2300	16A	971	304	2621
563	578	714	304	2858	3003	2600	16A	714	304	2858	3003	2600	16A	714	304	2858
625	619	971	380	3221	3303	2850	16A	971	380	3221	3303	2850	16A	971	380	3221
750	739	1338	456	3903	3853	3450	16A	1338	456	3903	3853	3450	20A	1338	456	3903
813	818	714	935	3958	4035	4203	16A	714	935	3958	4035	4203	25A	714	935	3958
875	859	971	935	4321	4335	4453	16A	971	935	4321	4335	4453	25A	971	935	4321
938	938	714	1302	4558	4717	4753	16A	714	1302	4558	4717	4753	25A	714	1302	4558
1000	979	971	1302	4921	5017	5003	16A	971	1302	4921	5017	5003	25A	971	1302	4921
1125	1099	1338	1302	5603	5567	5603	16A	1338	1302	5603	5567	5603	32A	1338	1302	5603

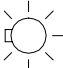

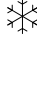
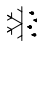


Assembly instructions

Vantis SGX/AGX. XXX A8/A8L

10.1.18 Vantis AG 4 with external lighting

Length	10.1.18.1 Basic values									10.1.18.2 Σ -power with lighting									10.1.18.3 Σ -power with discharge gas defrost								
	Permanent heater			Defrost heater																							
	L3	L2	L1	L3	L2	L1	L3	L2	L1	L3	L2	L1	L3	L2	L1	L3	L2	L1	L3	L2	L1	L3	L2	L1			
188	76	303	750		900	850	900	900	16A	16A	16A	1144	1153	900	16A	750	303	76	244	303	76	244	303	16A			
250	152	367	1007		1200	1150	1150	1150	16A	16A	16A	1507	1517	1150	16A	1007	367	152	307	367	152	307	367	16A			
375	228	548	1374		1800	1700	1750	1750	16A	16A	16A	2189	2248	1750	16A	1374	548	228	389	548	228	389	548	16A			
438	228	651	714	971	2050	2050	2050	2050	16A	16A	16A	2258	2972	2050	16A	714	1622	228	208	922	228	208	922	16A			
500	304	715	971	971	2350	2350	2300	2300	20A	20A	20A	2621	3336	2300	20A	971	1686	304	271	986	304	271	986	16A			
563	304	832	714	1338	2650	2650	2600	2600	20A	20A	20A	2858	3835	2600	20A	714	2170	304	208	1185	304	208	1185	16A			
625	380	896	971	1338	2950	2950	2850	2850	25A	25A	25A	3221	4199	2850	25A	971	2234	380	271	1249	380	271	1249	16A			
750	456	1077	1338	1338	3550	3500	3450	3450	25A	25A	25A	3903	4930	3450	25A	1338	2415	456	353	1430	456	353	1430	16A			
813	456	1180	714	935	3750	3800	3850	3850	32A	32A	32A	3958	5215	4203	32A	714	2115	1794	208	1415	1794	208	1415	16A			
875	532	1244	971	935	4050	4100	4100	4100	32A	32A	32A	4321	5579	4453	32A	971	2179	1870	271	1479	1870	271	1479	16A			
938	532	1361	714	1302	4350	4400	4400	4400	32A	32A	32A	4558	6078	4753	32A	714	2663	1870	208	1678	1870	208	1678	16A			
1000	608	1425	971	1302	4650	4700	4650	4650	32A	32A	32A	4921	6442	5003	32A	971	2727	1946	271	1742	1946	271	1742	16A			
1125	684	1606	1338	1302	5250	5250	5250	5250	40A	40A	40A	5603	7173	5603	40A	1338	2908	2022	353	1923	2022	353	1923	16A			

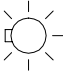



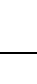


Änderungen vorbehalten
Subject to change without notice
Sous réserve de modification

Length	10.1.18.4 Σ -power lighting		10.1.18.5 Σ -power without lighting						10.1.18.6 Σ -power without lighting and discharge gas defrost					
														
in cm	LX		L1	L2	L3	L1	L2	L3	L1	L2	L3	L1	L2	L3
188	303	16A	750	850	900	1144	850	900	750		76	244		16A
250	367	16A	1007	1150	1150	1507	1150	1150	1007		152	307		16A
375	548	16A	1374	1700	1750	2189	1700	1750	1374		228	389		16A
438	651	16A	714	971	2050	2258	2321	2050	714	971	228	208	271	16A
500	715	16A	971	971	2300	2621	2621	2300	971	971	304	271	271	16A
563	832	16A	714	1338	2600	2858	3003	2600	714	1338	304	208	353	16A
625	896	16A	971	1338	2850	3221	3303	2850	971	1338	380	271	353	16A
750	1077	16A	1338	1338	3450	3903	3853	3450	1338	1338	456	353	353	16A
813	1180	16A	714	935	4203	3958	4035	4203	714	935	1794	208	235	16A
875	1244	16A	971	935	4453	4321	4335	4453	971	935	1870	271	235	16A
938	1361	16A	714	1302	4753	4558	4717	4753	714	1302	1870	208	317	16A
1000	1425	16A	971	1302	5003	4921	5017	5003	971	1302	1946	271	317	16A
1125	1606	16A	1338	1302	5603	5603	5567	5603	1338	1302	2002	353	317	16A

Assembly instructions

Vantis SGX/AGX. XXX A8/A8L

Änderungen vorbehalten
Subject to change without notice
Sous réserve de modification

Length	10.1.19.4 Σ -power lighting			10.1.19.5 Σ -power without lighting						10.1.19.6 Σ -power without lighting and discharge gas defrost						
																
in cm	LX	L1	L2	L3	L1	L2	L3	L1	L2	L3	L1	L2	L3	L1	L2	L3
188	287	750	76	900	1144	850	900	16A	16A	16A	750	76	244	16A		
250	349	1007	152	1150	1507	1150	1150	16A	16A	16A	1007	152	307	16A		
375	517	1374	228	1750	2189	1700	1750	16A	16A	16A	1374	228	389	16A		
438	617	714	228	2050	2258	2321	2050	16A	16A	16A	714	971	208	16A		
500	679	971	304	2300	2621	2621	2300	16A	16A	16A	971	971	271	16A		
563	785	714	1338	2600	2858	3003	2600	16A	16A	16A	714	1338	208	16A		
625	847	971	1338	2850	3221	3303	2850	16A	16A	16A	971	1338	271	16A		
750	1015	1338	456	3450	3903	3853	3450	16A	20A	20A	1338	1338	353	16A		
813	1115	714	1794	4203	3958	4035	4203	25A	25A	25A	714	935	208	16A		
875	1177	971	1870	4453	4321	4335	4453	25A	25A	25A	971	935	271	16A		
938	1283	714	1870	4753	4558	4717	4753	25A	25A	25A	714	1302	208	16A		
1000	1345	971	1946	5003	4921	5017	5003	25A	25A	25A	971	1302	271	16A		
1125	1513	1338	2002	5603	5603	5567	5603	32A	32A	32A	1338	1302	353	16A		

Assembly instructions

Vantis SGX/AGX. XXX A8/A8L

Linde
C1.2/6.0660
- GB -

10.1.20 Vantis AG 4 with hand rail lighting and external lighting

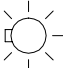



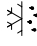



Length	10.1.20.1 Basic values						10.1.20.2 Σ -power with lighting						10.1.20.3 Σ -power with discharge gas defrost					
	Permanent heater			Defrost heater			❄️		❄️		❄️		❄️		❄️		❄️	
	L3	L2	L1	L3	L2	L1	L1	L2	L3	L1	L2	L3	L1	L2	L3	L1	L2	L3
188	76	372	750		900	850	900	900	1222	900	16A	750	372	76	244	372		16A
250	152	457	1007		1200	1150	1150	1607	1150	16A	16A	1007	457	152	307	457		16A
375	228	686	1374		1800	1700	1750	2386	1750	16A	16A	1374	686	228	389	686		16A
438	228	810	714	971	2050	2050	2050	3131	2050	16A	16A	714	1781	228	208	1081		16A
500	304	895	971	971	2350	2350	2300	3516	2300	20A	20A	971	1866	304	271	1166		16A
563	304	1039	714	1338	2650	2650	2600	4042	2600	20A	20A	714	2377	304	208	1392		16A
625	380	1124	971	1338	2950	2950	2850	4427	2850	25A	25A	971	2462	380	271	1477		16A
750	456	1353	1338	1338	3550	3500	3450	5206	3450	32A	32A	1338	2691	456	353	1706		16A
813	456	1477	714	935	3750	3800	3850	5512	4203	32A	32A	714	2412	1794	208	1712	353	16A
875	532	1562	971	935	4050	4100	4100	5897	4453	32A	32A	971	2947	1870	271	1797	353	16A
938	532	1706	714	1302	4350	4400	4400	6423	4753	32A	32A	714	3008	1870	208	2023	353	16A
1000	608	1791	971	1302	4650	4700	4650	6808	5003	40A	40A	971	3093	1946	271	2108	353	16A
1125	684	2020	1338	1302	5250	5250	5250	7587	5603	40A	40A	1338	3322	2022	353	2337	353	20A

Änderungen vorbehalten
 Subject to change without notice
 Sous réserve de modification

Assembly instructions

Vantis SGX/AGX. XXX A8/A8L

Änderungen vorbehalten
Subject to change without notice
Sous réserve de modification

Length	10.1.20.4 Σ -power lighting			10.1.20.5 Σ -power without lighting						10.1.20.6 Σ -power without lighting and discharge gas defrost						
																
in cm	LX	L1	L2	L3	L1	L2	L3	L1	L2	L3	L1	L2	L3	L1	L2	L3
188	372	750	76	900	1144	850	900	16A	16A	16A	750	76	900	244		16A
250	457	1007	152	1150	1507	1150	1150	16A	16A	16A	1007	152	1150	307		16A
375	686	1374	228	1750	2189	1700	1750	16A	16A	16A	1374	228	1750	389		16A
438	810	714	228	2050	2258	2321	2050	16A	16A	16A	714	971	228	208	280	16A
500	895	971	304	2300	2621	2621	2300	16A	16A	16A	971	971	304	271	280	16A
563	1039	714	304	2600	2858	3003	2600	16A	16A	16A	714	1338	304	208	361	16A
625	1124	971	380	2850	3221	3303	2850	16A	16A	16A	971	1338	380	271	361	16A
750	1353	1338	456	3450	3903	3853	3450	20A	20A	20A	1338	1338	456	353	361	16A
813	1477	714	1794	4203	3958	4035	4203	25A	25A	25A	714	935	1794	208	239	16A
875	1562	971	1870	4453	4321	4335	4453	25A	25A	25A	971	935	1870	271	239	16A
938	1706	714	1870	4753	4558	4717	4753	25A	25A	25A	714	1302	1870	208	320	16A
1000	1791	971	1946	5003	4921	5017	5003	25A	25A	25A	971	1302	1946	271	320	16A
1125	2020	1338	2002	5603	5603	5567	5603	32A	32A	32A	1338	1302	2002	353	320	16A

Assembly instructions

Vantis SGX/AGX. XXX A8/A8L

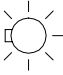


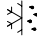



Linde
C1.2/6.0662
- GB -

10.1.21 Vantis AG 4 L

Length	10.1.21.1 Basic values									10.1.21.2 Σ-power with lighting									10.1.21.3 Σ-power with discharge gas defrost								
	Permanent heater			Defrost heater			Σ			Σ			Σ			Σ			Σ			Σ					
	L3	L2	L1	L3	L2	L1	L3	L2	L1	L3	L2	L1	L3	L2	L1	L3	L2	L1	L3	L2	L1	L3	L2	L1			
188	76	279	810	900	850	900	900	810	279	76	1144	1129	900	16A	810	279	76	244	279	16A	810	279	76	244	279		
250	152	335	1030	1200	1150	1150	1030	1030	335	152	1507	1485	1150	16A	1030	335	152	307	335	16A	1030	335	152	307	335		
375	228	485	1519	1800	1700	1750	1519	1519	485	228	2189	2185	1750	16A	1519	485	228	389	485	16A	1519	485	228	389	485		
438	228	579	774	2050	2050	2050	774	774	1573	228	2258	2900	2050	16A	774	1573	228	208	850	16A	774	1573	228	208	850		
500	304	635	994	2350	2350	2300	994	994	1629	304	2621	3256	2300	16A	994	1629	304	271	906	16A	994	1629	304	271	906		
563	304	729	774	2650	2650	2600	774	774	2212	304	2858	3732	2600	20A	774	2212	304	208	1082	16A	774	2212	304	208	1082		
625	380	785	994	2950	2950	2850	994	994	2268	380	3221	4088	2850	20A	994	2268	380	271	1138	16A	994	2268	380	271	1138		
750	456	935	1483	3550	3500	3450	1483	1483	2418	456	3903	4788	3450	25A	1483	2418	456	353	1288	16A	1483	2418	456	353	1288		
813	456	1029	774	3750	3800	3850	774	774	1987	1939	3958	5064	4203	25A	774	1987	1939	208	1264	16A	774	1987	1939	208	1264		
875	532	1085	994	4050	4100	4100	994	994	2043	2015	4321	5420	4453	32A	994	2043	2015	271	1320	16A	994	2043	2015	271	1320		
938	532	1179	774	4350	4400	4400	774	774	2626	2015	4558	5896	4753	32A	774	2626	2015	208	1496	16A	774	2626	2015	208	1496		
1000	608	1235	994	4650	4700	4650	994	994	2682	2091	4921	6252	5003	32A	994	2682	2091	271	1552	16A	994	2682	2091	271	1552		
1125	684	1385	1483	5250	5250	5250	1483	1483	2832	2167	5603	6952	5603	40A	1483	2832	2167	353	1702	16A	1483	2832	2167	353	1702		

Änderungen vorbehalten
 Subject to change without notice
 Sous réserve de modification

Änderungen vorbehalten
Subject to change without notice
Sous réserve de modification

Length in cm	10.1.21.4 Σ -power lighting		10.1.21.5 Σ -power without lighting						10.1.21.6 Σ -power without lighting and discharge gas defrost						
															
	LX		L1	L2	L3	L1	L2	L3	L1	L2	L3	L1	L2	L3	
188		16A	810		76	1144	850	900	810		76	244			16A
250		16A	1030		152	1507	1150	1150	1030		152	307			16A
375		16A	1519		228	2189	1700	1750	1519		228	389			16A
438		16A	774	994	228	2258	2321	2050	774	994	228	208	271		16A
500		16A	994	994	304	2621	2621	2300	994	994	304	271	271		16A
563		16A	774	1483	304	2858	3003	2600	774	1483	304	208	353		16A
625		16A	994	1483	380	3221	3303	2850	994	1483	380	271	353		16A
750		16A	1483	1483	456	3903	3853	3450	1483	1483	456	353	353		16A
813		16A	774	958	1939	3958	4035	4203	774	958	1939	208	235	353	16A
875		16A	994	958	2015	4321	4335	4453	994	958	2015	271	235	353	16A
938		16A	774	1447	2015	4558	4717	4753	774	1447	2015	208	317	353	16A
1000		16A	994	1447	2091	4921	5017	5003	994	1447	2091	271	317	353	16A
1125		16A	1483	1447	2167	5603	5567	5603	1483	1447	2167	353	317	353	16A

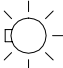


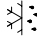



Assembly instructions

Vantis SGX/AGX. XXX A8/A8L

10.1.22 Vantis AG 4 L with external lighting

Length	10.1.22.1 Basic values									10.1.22.2 Σ-power with lighting									10.1.22.3 Σ-power with discharge gas defrost								
	Permanent heater			Defrost heater			Σ			Σ			Σ			Σ			Σ								
	L3	L2	L1	L3	L2	L1	L3	L2	L1	L3	L2	L1	L3	L2	L1	L3	L2	L1	L3	L2	L1						
188	76	364	810	900	850	900	810	364	76	1144	1214	900	16A	810	364	76	244	364	16A								
250	152	443	1030	1200	1150	1150	1030	443	152	1507	1593	1150	16A	1030	443	152	307	443	16A								
375	228	654	1519	1800	1700	1750	1519	654	228	2189	2354	1750	16A	1519	654	228	389	654	16A								
438	228	772	774	2050	2050	2050	774	1766	228	2258	3093	2050	16A	774	1766	228	208	1043	16A								
500	304	851	994	2350	2350	2300	994	1845	304	2621	3472	2300	20A	994	1845	304	271	1122	16A								
563	304	983	774	2650	2650	2600	774	2466	304	2858	3986	2600	20A	774	2466	304	208	1336	16A								
625	380	1062	994	2950	2950	2850	994	2545	380	3221	4365	2850	25A	994	2545	380	271	1415	16A								
750	456	1273	1483	3550	3500	3450	1483	2756	456	3903	5126	3450	25A	1483	2756	456	353	1626	16A								
813	456	1391	774	3750	3800	3850	774	2349	1939	3958	5426	4203	32A	774	2349	1939	208	1626	16A								
875	532	1470	994	4050	4100	4100	994	2428	2015	4321	5805	4453	32A	994	2428	2015	271	1705	16A								
938	532	1602	774	4350	4400	4400	774	3049	2015	4558	6319	4753	32A	774	3049	2015	208	1919	16A								
1000	608	1681	994	4650	4700	4650	994	3128	2091	4921	6698	5003	40A	994	3128	2091	271	1998	16A								
1125	684	1892	1483	5250	5250	5250	1483	3339	2167	5603	7459	5603	40A	1483	3339	2167	353	2209	20A								

Änderungen vorbehalten
Subject to change without notice
Sous réserve de modification

Length	10.1.22.4 Σ -power lighting		10.1.22.5 Σ -power without lighting						10.1.22.6 Σ -power without lighting and discharge gas defrost							
																
in cm	LX	L1	L2	L3	L1	L2	L3	L1	L2	L3	L1	L2	L3	L1	L2	L3
188	364	810	76	1144	850	900	16A	810	810	76	244			16A		
250	443	1030	152	1507	1150	1150	16A	1030	1030	152	307			16A		
375	654	1519	228	2189	1700	1750	16A	1519	1519	228	389			16A		
438	772	774	228	2258	2321	2050	16A	774	994	228	208	271		16A		
500	851	994	304	2621	2621	2300	16A	994	994	304	271	271		16A		
563	983	774	304	2858	3003	2600	16A	774	1483	304	208	353		16A		
625	1062	994	380	3221	3303	2850	16A	994	1483	380	271	353		16A		
750	1273	1483	456	3903	3853	3450	16A	1483	1483	456	353	353		16A		
813	1391	774	1939	3958	4035	4203	16A	774	958	1939	208	235	353	16A		
875	1470	994	2015	4321	4335	4453	16A	994	958	2015	271	235	353	16A		
938	1602	774	2015	4558	4717	4753	16A	774	1447	2015	208	317	353	16A		
1000	1681	994	2091	4921	5017	5003	16A	994	1447	2091	271	317	353	16A		
1125	1892	1483	2167	5603	5567	5603	16A	1483	1447	2167	353	317	353	16A		

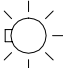





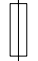
Assembly instructions

Vantis SGX/AGX. XXX A8/A8L

10.1.23 Vantis AG 4 L with hand rail lighting

Length	10.1.23.1 Basic values									10.1.23.2 Σ-power with lighting									10.1.23.3 Σ-power with discharge gas defrost								
	Permanent heater			Defrost heater			Σ			Σ			Σ			Σ			Σ								
	L3	L2	L1	L3	L2	L1	L3	L2	L1	L3	L2	L1	L3	L2	L1	L3	L2	L1	L3	L2	L1	L3	L2	L1			
188	76	348	810	900	850	900	900	810	348	76	1144	1198	900	16A	810	348	76	244	348	16A	810	348	76	244	348	16A	
250	152	425	1030	1200	1150	1150	1030	1030	425	152	1507	1575	1150	16A	1030	425	152	307	425	16A	1030	425	152	307	425	16A	
375	228	623	1519	1800	1700	1750	1519	1519	623	228	2189	2323	1750	16A	1519	623	228	389	623	16A	1519	623	228	389	623	16A	
438	228	738	774	2050	2050	2050	774	774	1732	228	2258	3059	2050	16A	774	1732	228	208	1009	16A	774	1732	228	208	1009	16A	
500	304	815	994	2350	2350	2300	994	994	1809	304	2621	3436	2300	20A	994	1809	304	271	1086	16A	994	1809	304	271	1086	16A	
563	304	936	774	2650	2650	2600	774	774	2419	304	2858	3939	2600	20A	774	2419	304	208	1289	16A	774	2419	304	208	1289	16A	
625	380	1013	994	2950	2950	2850	994	994	2496	380	3221	4316	2850	25A	994	2496	380	271	1366	16A	994	2496	380	271	1366	16A	
750	456	1211	1483	3550	3500	3450	1483	1483	2694	456	3903	5064	3450	25A	1483	2694	456	353	1564	16A	1483	2694	456	353	1564	16A	
813	456	1326	774	3750	3800	3850	774	774	2284	1939	3958	5361	4203	32A	774	2284	1939	208	1561	16A	774	2284	1939	208	1561	16A	
875	532	1403	994	4050	4100	4100	994	994	2361	2015	4321	5738	4453	32A	994	2361	2015	271	1638	16A	994	2361	2015	271	1638	16A	
938	532	1524	774	4350	4400	4400	774	774	2971	2015	4558	6241	4753	32A	774	2971	2015	208	1841	16A	774	2971	2015	208	1841	16A	
1000	608	1601	994	4650	4700	4650	994	994	3048	2091	4921	6618	5003	40A	994	3048	2091	271	1918	16A	994	3048	2091	271	1918	16A	
1125	684	1799	1483	5250	5250	5250	1483	1483	3246	2167	5603	7366	5603	40A	1483	3246	2167	353	2116	20A	1483	3246	2167	353	2116	20A	

Änderungen vorbehalten
Subject to change without notice
Sous réserve de modification

Length in cm	10.1.23.4 Σ -power lighting		10.1.23.5 Σ -power without lighting						10.1.23.6 Σ -power without lighting and discharge gas defrost						
															
	LX		L1	L2	L3	L1	L2	L3	L1	L2	L3	L1	L2	L3	
188		16A	810	810	76	1144	850	900	810	810	76	244			16A
250		16A	1030	1030	152	1507	1150	1150	1030	1030	152	307			16A
375		16A	1519	1519	228	2189	1700	1750	1519	1519	228	389			16A
438		16A	774	994	228	2258	2321	2050	774	994	228	208	271		16A
500		16A	994	994	304	2621	2621	2300	994	994	304	271	271		16A
563		16A	774	1483	304	2858	3003	2600	774	1483	304	208	353		16A
625		16A	994	1483	380	3221	3303	2850	994	1483	380	271	353		16A
750		16A	1483	1483	456	3903	3853	3450	1483	1483	456	353	353		16A
813		16A	774	958	1939	3958	4035	4203	774	958	1939	208	235	353	16A
875		16A	994	958	2015	4321	4335	4453	994	958	2015	271	235	353	16A
938		16A	774	1447	2015	4558	4717	4753	774	1447	2015	208	317	353	16A
1000		16A	994	1447	2091	4921	5017	5003	994	1447	2091	271	317	353	16A
1125		16A	1483	1447	2167	5603	5567	5603	1483	1447	2167	353	317	353	16A

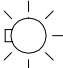


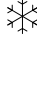
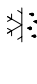
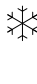
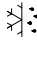

Assembly instructions

Vantis SGX/AGX. XXX A8/A8L

10.1.24 Vantis AG 4 L with hand rail lighting and external lighting

Length	10.1.24.1 Basic values									10.1.24.2 Σ-power with lighting									10.1.24.3 Σ-power with discharge gas defrost								
	Permanent heater			Defrost heater			Σ			Σ			Σ			Σ			Σ			Σ					
	L3	L2	L1	L3	L2	L1	L3	L2	L1	L3	L2	L1	L3	L2	L1	L3	L2	L1	L3	L2	L1	L3	L2	L1			
188	76	433	810		900	850	900	810	433	76	1144	1283	900	16A	810	433	76	244	433						16A		
250	152	533	1030		1200	1150	1150	1030	533	152	1507	1683	1150	16A	1030	533	152	307	533						16A		
375	228	792	1519		1800	1700	1750	1519	792	228	2189	2492	1750	16A	1519	792	228	389	792						16A		
438	228	931	774	994	2050	2050	2050	774	1925	228	2258	3252	2050	16A	774	1925	228	208	1202						16A		
500	304	1031	994	994	2350	2350	2300	994	2025	304	2621	3652	2300	20A	994	2025	304	271	1302						16A		
563	304	1190	774	1483	2650	2650	2600	774	2673	304	2858	4193	2600	25A	774	2673	304	208	1543						16A		
625	380	1290	994	1483	2950	2950	2850	994	2773	380	3221	4593	2850	25A	994	2773	380	271	1643						16A		
750	456	1549	1483	1483	3550	3500	3450	1483	3032	456	3903	5402	3450	32A	1483	3032	456	353	1902						16A		
813	456	1688	774	958	3750	3800	3850	774	2646	1939	3958	5723	4203	32A	774	2646	1939	208	1923						16A		
875	532	1788	994	958	4050	4100	4100	994	2746	2015	4321	6123	4453	32A	994	2746	2015	271	2023						16A		
938	532	1947	774	1447	4350	4400	4400	774	3394	2015	4558	6664	4753	40A	774	3394	2015	208	2264						16A		
1000	608	2047	994	1447	4650	4700	4650	994	3494	2091	4921	7064	5003	40A	994	3494	2091	271	2364						20A		
1125	684	2306	1483	1447	5250	5250	5250	1483	3753	2167	5603	7873	5603	40A	1483	3753	2167	353	3753						20A		

Änderungen vorbehalten
Subject to change without notice
Sous réserve de modification

Length in cm	10.1.24.4 Σ -power lighting			10.1.24.5 Σ -power without lighting						10.1.24.6 Σ -power without lighting and discharge gas defrost							
																	
	LX	L1	L2	L3	L1	L2	L3	L1	L2	L3	L1	L2	L3	L1	L2	L3	
188	433	810	76	1144	850	900	16A	810	810	76	244	16A	16A	244			16A
250	533	1030	152	1507	1150	1150	16A	1030	1030	152	307	16A	16A	307			16A
375	792	1519	228	2189	1700	1750	16A	1519	1519	228	389	16A	16A	389			16A
438	931	774	228	2258	2321	2050	16A	774	774	228	208	16A	16A	208	271		16A
500	1031	994	304	2621	2621	2300	16A	994	994	304	271	16A	16A	271	271		16A
563	1190	774	304	2858	3003	2600	16A	774	774	304	208	16A	16A	208	353		16A
625	1290	994	380	3221	3303	2850	16A	994	994	380	271	16A	16A	271	353		16A
750	1549	1483	456	3903	3853	3450	16A	1483	1483	456	353	20A	16A	353	353		16A
813	1688	774	958	3958	4035	4203	16A	774	774	958	208	25A	16A	208	235	353	16A
875	1788	994	958	4321	4335	4453	16A	994	994	958	271	25A	16A	271	235	353	16A
938	1947	774	1447	4558	4717	4753	16A	774	774	1447	208	25A	16A	208	317	353	16A
1000	2047	994	1447	4921	5017	5003	16A	994	994	1447	271	25A	16A	271	317	353	16A
1125	2306	1483	1447	5603	5567	5603	16A	1483	1483	1447	353	32A	16A	353	317	353	16A

Änderungen vorbehalten
 Subject to change without notice
 Sous réserve de modification

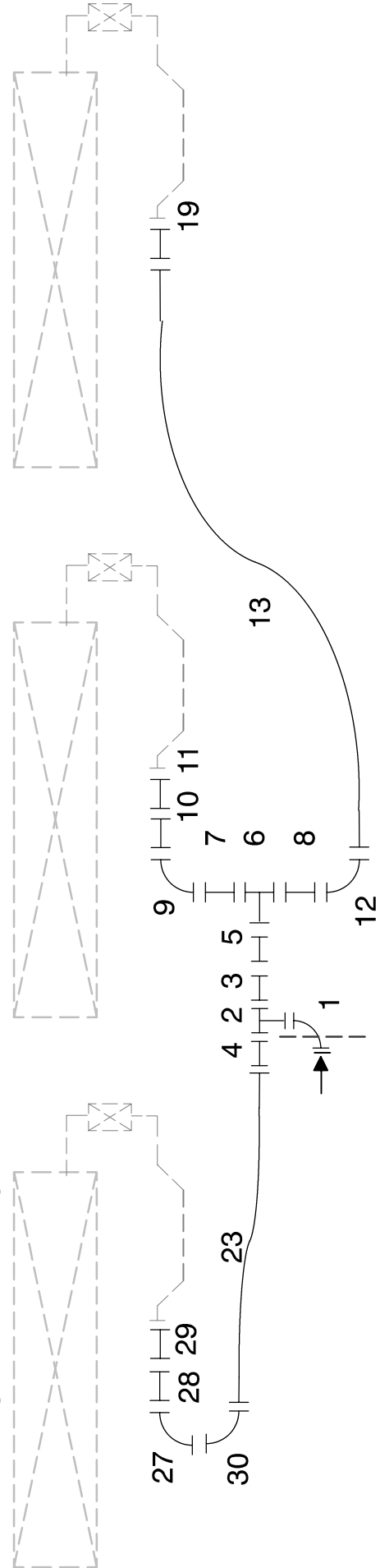
11 Internal cabinet piping

11.1 Liquid lines

11.1.1 Parts overview

Lengths	Item	Ftg x C bend	T-piece	Line Cu tube	5	T-piece	Line Cu tube	10	Socket	11	Line Cu tube	13	Socket	19	Line Cu tube	28	Socket	29
188		100			2	6		10		11		13		19		28		29
250		100						100		12-10								
375		100						100		12-10								
438		100	10-10-10					100		12-10						100		12-10
500		100	10-10-10					100		12-10						100		12-10
563		100	10-10-10					100		12-10						100		12-10
625		100	10-10-10					100		12-10						100		12-10
750		100	10-10-10					100		12-10						100		12-10
813		120	10-12-10	100		10-10-10	100	100		12-10		100		12-10	100	100		12-10
875		120	10-12-10	100		10-10-10	100	100		12-10		100		12-10	100	100		12-10
938		120	10-12-10	100		10-10-10	100	100		12-10		100		12-10	100	100		12-10
1000		120	10-12-10	100		10-10-10	100	100		12-10		100		12-10	100	100		12-10
1125		120	10-12-10	100		10-10-10	100	100		12-10		100		12-10	100	100		12-10

11.1.2 Line diagram for cabinet lengths 156 to 1170



Assembly instructions

Vantis SGX/AGX. XXX A8/A8L

Linde
C1.2/6.0682
- GB -

11.2 Suction lines 11.2.1 Parts overview

Lengths	Ftg x C bend		Y-pipe		Reducing nipple		Ftg x C bend		Line Cu tube		Socket		Ftg x C bend		Line Cu tube		Y-pipe		Reducing nipple	
	1	2	3	4	5	9	10	19	20	21	22	23	24	25	26	27	28	29	30	31
188	150				150	150	18-15													
250	180				180	180	180													
375	220				220	220	220													
438	220	22-22-22	22-18	22-15	180	180	180	150	150											
500	220	22-22-22	22-18	22-18	180	180	180	180	180											
563	220	22-22-22	/	22-15	220	220	220	150	150											
625	280	28-28-28	28-22	22-18	220	220	220	180	180											
750	280	28-28-28	28-22	28-22	220	220	220	220	220											
813	280	28-28-28	28-22	28-22	220	220	220	220	220	22-22-22	22-18									
875	280	28-28-28	28-22	28-22	220	220	220	220	220	22-22-22	22-18									
938	350	35-35-35	35-22	35-22	220	220	220	220	220	22-22-22	/									
1000	350	35-35-35	35-22	35-28	220	220	220	280	280	28-28-28	28-22									
1125	350	35-35-35	35-22	35-28	220	220	220	280	280	28-28-28	28-22									

Änderungen vorbehalten
 Subject to change without notice
 Sous réserve de modification

Assembly instructions

Vantis SGX/AGX. XXX A8/A8L

Änderungen vorbehalten
 Subject to change without notice
 Sous réserve de modification

Item	Lengths	Ftg x C bend	Line Cu tube	Socket	Line Cu tube	Ftg x C bend	Line Cu tube	Socket	Line Cu tube	Socket	Socket	Line Cu tube	Socket	Y-pipe	Reducing nipple
		24/25	27	28	29	30/31	32	33							
188															
250															
375															
438		15Ø	15Ø	18-15											
500		18Ø	18Ø	18Ø											
563		15Ø	15Ø	18-15											
625		18Ø	18Ø	18Ø											
750		22Ø	22Ø	22Ø											
813		18Ø	18Ø	18Ø	15Ø	15Ø	18-15								
875		18Ø	18Ø	18Ø	18Ø	18Ø	18Ø								
938		22Ø	22Ø	22Ø	15Ø	15Ø	18-15								
1000		22Ø	22Ø	22Ø	18Ø	18Ø	18Ø								
1125		22Ø	22Ø	22Ø	22Ø	22Ø	22Ø								

11.2.2 Line diagram for cabinet lengths 156 to 1170

