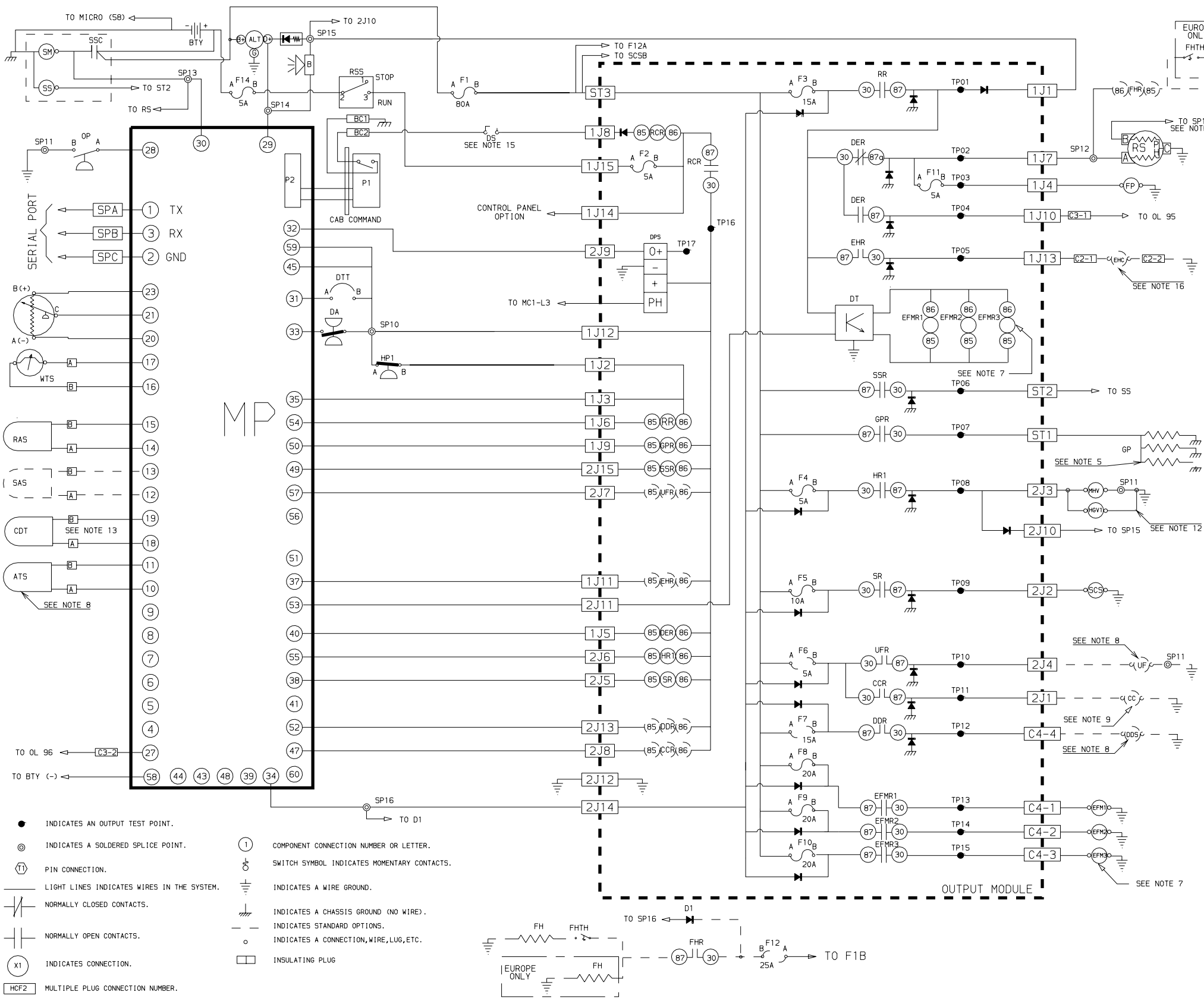


SUPRA / OASIS



LOCATION	SYMBOL	DESCRIPTION	LOCATION
E-1	ALT	ALTERNATOR	MID FRAME
A-8	ATS	AMBIENT TEMPERATURE SENSOR	CONDENSER
F-2	B	BUZZER	CONTROL BOX
D-1	BTY	BATTERY	
R-10	CC	COMPRESSOR CLUTCH	COMPRESSOR
J-10/N-10	CCR	COMPRESSOR CLUTCH RELAY	CONTROL BOX
A-7	CDT	COMPRESSOR DISCHARGE TEMPERATURE SENSOR	COMPRESSOR
F-5	DA	DEFROST AIR SWITCH	FRAME
J-9/M-3	DER	DIESEL ELECTRIC RELAY	CONTROL BOX
R-10	DDS	DEFROST DAMPER SOLENOID (OPTION)	EVAPORATOR
J-10/N-10	DDR	DEFROST DAMPER RELAY (OPTION)	CONTROL BOX
J-4	DPS	DETECTOR POWER SUPPLY	CONTROL BOX
G-4	DS	DOOR SWITCH (OPTION)	TRAILER
J-8/M-4	DT	DEFROST TRANSISTOR	CONTROL BOX
F-4	DTT	DEFROST THERMOSTAT	EVAPORATOR
Q-12	EFM1,2,3	ELECTRIC FAN MOTOR	EVAPORATOR
O-5/M-12	EFMR1,2,3	ELECTRIC FAN MOTOR RELAY	CONTROL BOX
Q-4	EHC	EVAPORATOR HEAT CONTACTOR	CONTROL BOX
J-8/M-4	EHR	EVAPORATOR HEAT RELAY	CONTROL BOX
H-2	F1	FUSE 80A	CONTROL BOX
I-3/O-3	F2,F11	FUSE 5A	CONTROL BOX
L-2/L-10	F3,F7	FUSE 15A	CONTROL BOX
L-8	F5	FUSE 10A	CONTROL BOX
L-7/L-9	F4, F6	FUSE 5A	CONTROL BOX
L-11	F8,F9,F10	FUSE 20A	CONTROL BOX
D-3	F14	FUSE 5A	BATTERY
I-13	FH	FUEL HEATER (OPTION)	ENGINE
R-2/L-13	FHR	FUEL HEATER RELAY (OPTION)	CONTROL BOX
I-13 OR S-2	FHTH	FUEL HEATER THERMOSTAT (OPTION)	ENGINE
R-3	FP	FUEL PUMP	FUEL TANK
R-6	GP	GLOW PLUG	ENGINE
J-6/N-6	GPR	GLOW PLUG RELAY	CONTROL BOX
Q-7	HGV1	HOT GAS VALVE 1	FRAME
G-5	HP1	HIGH PRESSURE CUT OUT SWITCH	COMPRESSOR
J-9/M-7	HR1	HEAT RELAY 1	CONTROL BOX
G-7	MGC	MANUAL GLOW/CRANK	CONTROL BOX
Q-7	MHV	MAIN HEAT VALVE	CONTROL BOX
D-6	MP	MICROPROCESSOR BOARD	CONTROL BOX
P-1/N-2	MC1	MOTOR CONTACTOR (see sheet 2)	CONTROL BOX
O-1/P-2	OL	OVERLOAD PROTECTOR (see sheet 2)	CONTROL BOX
B-2	OP	OIL PRESSURE SAFETY SWITCH (NO)	ENGINE
F-3	P1	CAB COMMAND PLUG CONNECTOR	CONTROL BOX
E-3	P2	MICROPROCESSOR CAB COMMAND PLUG CONNECTOR	CONTROL BOX
M-2	PSR	POWER SUPPLY RECEPTACLE (see sheet 2)	
A-6	RAS	RETURN AIR SENSOR	EVAPORATOR
I-2/J-3	RCR	RUN CONTROL RELAY	ENGINE
J-6/M-2	RR	RUN RELAY	CONTROL BOX
R-3	RS	RUN SOLENOID	ENGINE
G-2	RSS	RUN STOP SWITCH	CONTROL BOX
A-7	SAS	SUPPLY AIR SENSOR (OPTION)	EVAPORATOR
P-2	SBM	STANDBY MOTOR (see sheet 2)	FRAME
Q-8/U-10	SCS	SPEED CONTROL SOLENOID	ENGINE
B-1	SM	STARTER MOTOR	ENGINE
A-3	SP	SERIAL PORT RS232	CONTROL BOX
A-4	SPT	SUCTION PRESSURE TRANSDUCER	COMPRESSOR
J-9/N-8	SR	SPEED RELAY	CONTROL BOX
R-5	SS	STARTER SOLENOID	STARTER
C-1	SSC	STARTER SOLENOID CONTACTOR	STARTER
J-6/M-5	SSR	STARTER SOLENOID RELAY	CONTROL BOX
J-7/N-9	UFR	UNLOADER FRONT RELAY	CONTROL BOX
R-9	UF	UNLOADER FRONT	COMPRESSOR
A-5	WTS	WATER TEMPERATURE SENSOR	ENGINE

- NOTES:
- UNIT SHOWN "OFF" POSITION.
 - WIRE IDENTIFICATION SYSTEM:
COLOR: WHITE - DC CONTROL CIRCUITS
GREEN - DC GROUNDS
RED - POSITIVE BATTERY CIRCUIT
BLACK - NEGATIVE BATTERY CIRCUIT
GREEN/YELLOW - AC EARTH
DARK BLUE - AC CIRCUIT PHASE 1
BLACK - AC CIRCUIT PHASE 2
BROWN - AC CIRCUIT PHASE 3
 - ADDRESS SYSTEM: EXAMPLE: HCD2-MPW2 INDICATES A WIRE BETWEEN PLUG HC-PIN D2 AND MICROPROCESSOR MP AND PIN W2.
 - VOLTAGE BELOW 12 VOLTS. REFER TO OWNERS MANUAL FOR TROUBLESHOOTING PROCEDURE.
 - ENGINE CT2-29 2 GLOW PLUGS
ENGINE CT3-44 & CT3.69TV 3 GLOW PLUGS
 - NO CONNECTION OF STANDBY PANEL (OL,MC) AND DPS
 - SUPRA 450: 2 ELECTRIC FANS ONLY
 - ATS,UF,DDS,F6 ONLY FOR SUPRA 950
 - F6,CC ONLY FOR SUPRA 450
 - HGV1 AMF FUSE 5A ONLY FOR VERSIONS 550, 750, 950
 - CDT FUNCTION ONLY FOR VERSIONS 550,750,950
 - ONLY FOR 950
 - CONTACT NORMALLY CLOSE WHEN DOOR IS CLOSED
 - SEE DRAWING 62-60766

- INDICATES AN OUTPUT TEST POINT.
- ⊙ INDICATES A SOLDERED SPLICE POINT.
- ⊕ PIN CONNECTION.
- LIGHT LINES INDICATES WIRES IN THE SYSTEM.
- NORMALLY CLOSED CONTACTS.
- NORMALLY OPEN CONTACTS.
- ⊗ INDICATES CONNECTION.
- HCF2 MULTIPLE PLUG CONNECTION NUMBER.
- ① COMPONENT CONNECTION NUMBER OR LETTER.
- ⊕ SWITCH SYMBOL INDICATES MOMENTARY CONTACTS.
- ⊕ INDICATES A WIRE GROUND.
- ⊕ INDICATES A CHASSIS GROUND (NO WIRE).
- INDICATES STANDARD OPTIONS.
- INDICATES A CONNECTION, WIRE, LUG, ETC.
- INSULATING PLUG

STANDARD		EUROPE	
CAB COMMAND			
OPTIONS			
FUEL HEATER	ELECTRICAL WATER HEATER	DOOR SWITCH	
DATE : 17 JULY 09	N: 62-61460-03	REV: E	

ALT ATS	ALTERNATEUR SONDE DE TEMPERATURE AMBIANTE	ALTERNADOR DE CARGA SONDA DE TEMPERATURE AMBIENTE	ALTERNATOR SONDA TEMPERATURA AMBIANTE	DYNAMO BUITENTEMPERAATUUR VOELER
B	BOZZER	BOZZER	BATTERIA	ZOEMER
CC	EMBRAYAGE COMPRESSEUR	EMBRAGUE DEL COMPRESOR	EMBRAGUE DEL COMPRESOR	COMPRESSOR CLUTCH
CDT	SONDE TEMPERATURE REFOULEMENT COMPRESSEUR	RELE DEL EMBRAGUE	SONDA DE DESCARGA COMPRESOR	CLUTCH RELAIS
DA	POUMON DE DEGRIVAGE	RELE D'ARRANQUE	RELE DEL EMBRAGUE	TEMPERATUURVOELER PERSGAAS
DER	RELAIS DE DEGRIVAGE	RELE D'ARRANQUE	RELE DEL EMBRAGUE	TEMPERATUURVOELER PERSGAAS
DDS	BOBINE VOLET DE DEGRIVAGE	RELE D'ARRANQUE	RELE DEL EMBRAGUE	RELAIS DIESEL/ELECTRICISCH
DDR	RELAIS VOLET DE DEGRIVAGE	RELE D'ARRANQUE	RELE DEL EMBRAGUE	RELAIS DIESEL/ELECTRICISCH
DPS	RELAIS VOLET DE DEGRIVAGE	RELE D'ARRANQUE	RELE DEL EMBRAGUE	RELAIS DIESEL/ELECTRICISCH
DS	RELAIS VOLET DE DEGRIVAGE	RELE D'ARRANQUE	RELE DEL EMBRAGUE	RELAIS DIESEL/ELECTRICISCH
DTT	RELAIS VOLET DE DEGRIVAGE	RELE D'ARRANQUE	RELE DEL EMBRAGUE	RELAIS DIESEL/ELECTRICISCH
EEM1,2,3	MOTEUR ELEC VENTILATEUR	RELE D'ARRANQUE	RELE DEL EMBRAGUE	RELAIS DIESEL/ELECTRICISCH
EEM1,2,3	CHAUFFAGE ADDITIONNEL (OPTION)	RELE D'ARRANQUE	RELE DEL EMBRAGUE	RELAIS DIESEL/ELECTRICISCH
EHC	RELAIS CHAUFFAGE ADDITIONNEL (OPTION)	RELE D'ARRANQUE	RELE DEL EMBRAGUE	RELAIS DIESEL/ELECTRICISCH
EHR	RELAIS CHAUFFAGE ADDITIONNEL (OPTION)	RELE D'ARRANQUE	RELE DEL EMBRAGUE	RELAIS DIESEL/ELECTRICISCH
F1	FUSIBLE 80A	RELE D'ARRANQUE	RELE DEL EMBRAGUE	RELAIS DIESEL/ELECTRICISCH
F2,11,14	FUSIBLE 5A	RELE D'ARRANQUE	RELE DEL EMBRAGUE	RELAIS DIESEL/ELECTRICISCH
F3,7,7	FUSIBLE 15A	RELE D'ARRANQUE	RELE DEL EMBRAGUE	RELAIS DIESEL/ELECTRICISCH
F4	FUSIBLE 3A	RELE D'ARRANQUE	RELE DEL EMBRAGUE	RELAIS DIESEL/ELECTRICISCH
F5	FUSIBLE 10A,2A	RELE D'ARRANQUE	RELE DEL EMBRAGUE	RELAIS DIESEL/ELECTRICISCH
F6	FUSIBLE 20A	RELE D'ARRANQUE	RELE DEL EMBRAGUE	RELAIS DIESEL/ELECTRICISCH
F8,F9,F10	RECHAUFFEUR GAS-OIL (OPTION)	RELE D'ARRANQUE	RELE DEL EMBRAGUE	RELAIS DIESEL/ELECTRICISCH
FH	RELAIS RECHAUFFEUR GAS-OIL (OPTION)	RELE D'ARRANQUE	RELE DEL EMBRAGUE	RELAIS DIESEL/ELECTRICISCH
FHR	THERMOSTAT RECHAUFFEUR GAS-OIL (OPTION)	RELE D'ARRANQUE	RELE DEL EMBRAGUE	RELAIS DIESEL/ELECTRICISCH
FHTH	POMPE GAS-OIL	RELE D'ARRANQUE	RELE DEL EMBRAGUE	RELAIS DIESEL/ELECTRICISCH
FP	BOUGIE DE PRECHAUFFAGE	RELE D'ARRANQUE	RELE DEL EMBRAGUE	RELAIS DIESEL/ELECTRICISCH
GPR	RELAIS BOUGIE DE PRECHAUFFAGE	RELE D'ARRANQUE	RELE DEL EMBRAGUE	RELAIS DIESEL/ELECTRICISCH
HV1	VANNE GAZ CHAUD 1	RELE D'ARRANQUE	RELE DEL EMBRAGUE	RELAIS DIESEL/ELECTRICISCH
HP1	PRESSOSTAT HAUTE PRESSION	RELE D'ARRANQUE	RELE DEL EMBRAGUE	RELAIS DIESEL/ELECTRICISCH
HP1	RELAIS HAUTE PRESSION	RELE D'ARRANQUE	RELE DEL EMBRAGUE	RELAIS DIESEL/ELECTRICISCH
LP1	PRESSOSTAT BASSE PRESSION	RELE D'ARRANQUE	RELE DEL EMBRAGUE	RELAIS DIESEL/ELECTRICISCH
MVC	PRECHAUFFAGE/DEMARRAGE MANUEL	RELE D'ARRANQUE	RELE DEL EMBRAGUE	RELAIS DIESEL/ELECTRICISCH
MHV	VANNE GAZ CHAUD PRINCIPALE	RELE D'ARRANQUE	RELE DEL EMBRAGUE	RELAIS DIESEL/ELECTRICISCH
MP	CARTE MICROPROCESSEUR	RELE D'ARRANQUE	RELE DEL EMBRAGUE	RELAIS DIESEL/ELECTRICISCH
MC1	CONTACTEUR	RELE D'ARRANQUE	RELE DEL EMBRAGUE	RELAIS DIESEL/ELECTRICISCH
OL	RELAIS THERMIQUE	RELE D'ARRANQUE	RELE DEL EMBRAGUE	RELAIS DIESEL/ELECTRICISCH
OP	CONTACT DE DECORTICE D'HUILE	RELE D'ARRANQUE	RELE DEL EMBRAGUE	RELAIS DIESEL/ELECTRICISCH
P1	CONNECTEUR COMMANDE CABINE	RELE D'ARRANQUE	RELE DEL EMBRAGUE	RELAIS DIESEL/ELECTRICISCH
P2	CONNECTEUR MICRO/COMMANDE CABINE	RELE D'ARRANQUE	RELE DEL EMBRAGUE	RELAIS DIESEL/ELECTRICISCH
PSR	PRISE SECTEUR	RELE D'ARRANQUE	RELE DEL EMBRAGUE	RELAIS DIESEL/ELECTRICISCH
RAS	SONDE RETOUR D'AIR	RELE D'ARRANQUE	RELE DEL EMBRAGUE	RELAIS DIESEL/ELECTRICISCH
RR	RELAIS MARCHÉ	RELE D'ARRANQUE	RELE DEL EMBRAGUE	RELAIS DIESEL/ELECTRICISCH
RR	RELAIS MARCHÉ	RELE D'ARRANQUE	RELE DEL EMBRAGUE	RELAIS DIESEL/ELECTRICISCH
RS	BOBINE MARCHÉ	RELE D'ARRANQUE	RELE DEL EMBRAGUE	RELAIS DIESEL/ELECTRICISCH
RS	BOBINE MARCHÉ	RELE D'ARRANQUE	RELE DEL EMBRAGUE	RELAIS DIESEL/ELECTRICISCH
SBS	SONDE AIR SOUFFLE (OPTION)	RELE D'ARRANQUE	RELE DEL EMBRAGUE	RELAIS DIESEL/ELECTRICISCH
SRM	MOTEUR ELECTRIQUE	RELE D'ARRANQUE	RELE DEL EMBRAGUE	RELAIS DIESEL/ELECTRICISCH
SCS	BOBINE VITESSE	RELE D'ARRANQUE	RELE DEL EMBRAGUE	RELAIS DIESEL/ELECTRICISCH
SN	DEMARRER	RELE D'ARRANQUE	RELE DEL EMBRAGUE	RELAIS DIESEL/ELECTRICISCH
SP	PORT SERIE RS232	RELE D'ARRANQUE	RELE DEL EMBRAGUE	RELAIS DIESEL/ELECTRICISCH
SPT	SONDE PRESSION D'ASPIRATION	RELE D'ARRANQUE	RELE DEL EMBRAGUE	RELAIS DIESEL/ELECTRICISCH
SR	RELAIS VITESSE	RELE D'ARRANQUE	RELE DEL EMBRAGUE	RELAIS DIESEL/ELECTRICISCH
SS	BOBINE DE MARCHÉ	RELE D'ARRANQUE	RELE DEL EMBRAGUE	RELAIS DIESEL/ELECTRICISCH
SSC	CONTACTEUR BOBINE DE DEMARRAGE	RELE D'ARRANQUE	RELE DEL EMBRAGUE	RELAIS DIESEL/ELECTRICISCH
SSR	RELAIS BOBINE DE DEMARRAGE	RELE D'ARRANQUE	RELE DEL EMBRAGUE	RELAIS DIESEL/ELECTRICISCH
UFR	RELAIS REDUCTION DE DEMARRAGE	RELE D'ARRANQUE	RELE DEL EMBRAGUE	RELAIS DIESEL/ELECTRICISCH
UF	REDUCTION DE PUISSANCE	RELE D'ARRANQUE	RELE DEL EMBRAGUE	RELAIS DIESEL/ELECTRICISCH
MTS	SONDE DE TEMPERATURE D'EAU	RELE D'ARRANQUE	RELE DEL EMBRAGUE	RELAIS DIESEL/ELECTRICISCH

CIRCUITS FOR DIESEL/ELECTRIC

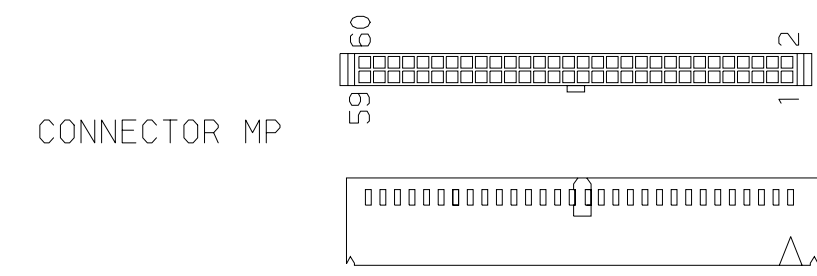
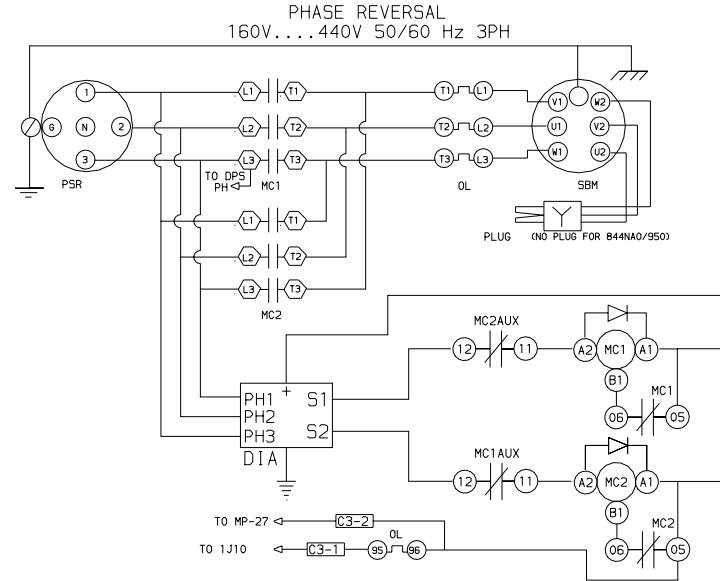
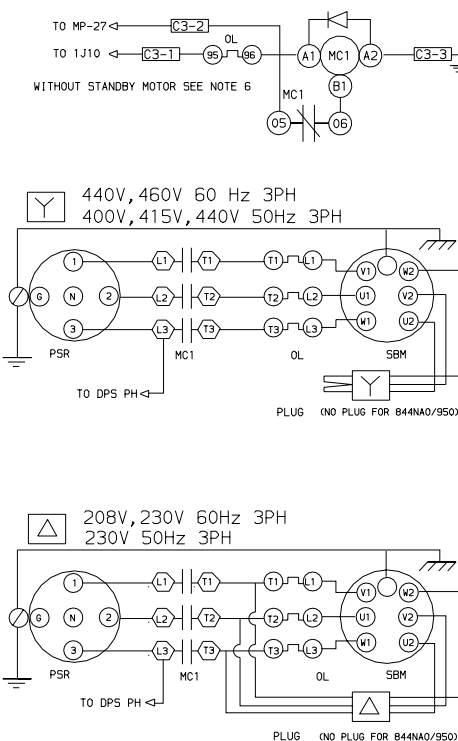
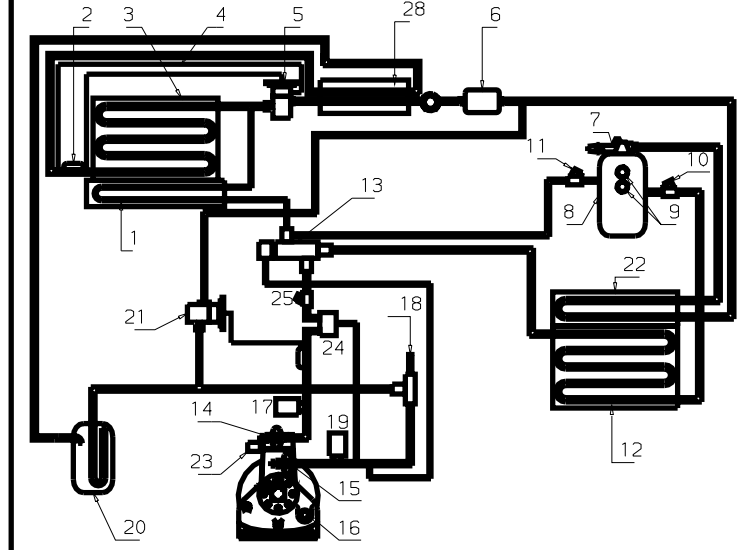
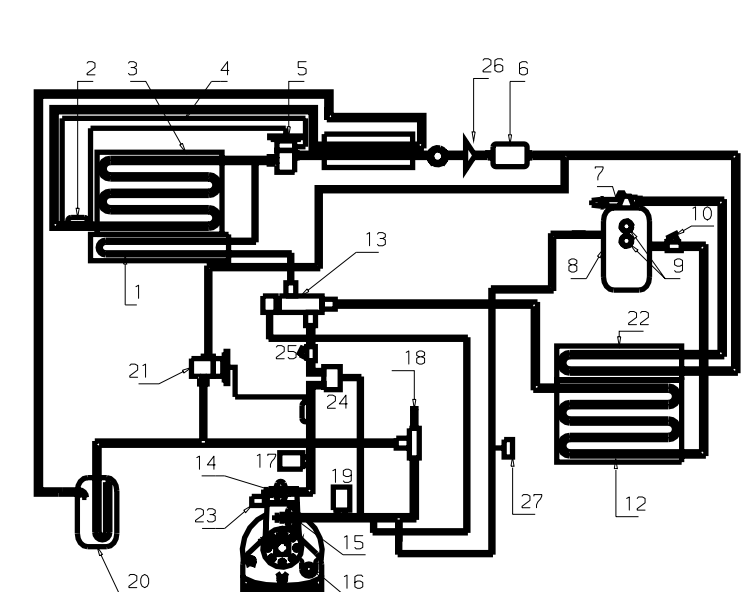


DIAGRAM (FIG 1) FOR VERSIONS: 450; 850; 950



- 1. DRAIN PAN HEATER
- 2. EXPANSION VALVE BULB
- 3. EVAPORATOR
- 4. EXTERNAL EQUALIZER LINE
- 5. EXPENSION VALVE
- 6. FILTER-DRIER
- 7. RECEIVER (KING) VALVE
- 8. RECEIVER
- 9. RECEIVER SIGHT GLASS
- 10. RECEIVER INLET CHECK VALVE
- 11. BYPASS CHECK VALVE (FIG 1 ONLY)
- 12. CONDENSER
- 13. HOT GAS VALVE (THREE-WAY)
- 14. DISCHARGE SERVICE VALVE
- 15. SUCTION SERVICE VALVE
- 16. COMPRESSOR
- 17. HIGH PRESSURE SWITCH (HP) REGULATING VALVE (CPR)
- 18. COMPRESSOR PRESSURE
- 19. LOW PRESSURE SWITCH (LP) SOLID STATE CONTROL ONLY
- 20. ACCUMULATOR
- 21. QUENCH VALVE
- 22. SUBCOOLER

DIAGRAM (FIG 2) FOR VERSIONS: 550; 750; 844NAO



STANDARD		CAB COMMAND		EUROPE	
OPTIONS		FUEL HEATER		ELECTRICAL WATER HEATER	
DATE : 17 JULY 09		N: 62-61460-03		REV: E	