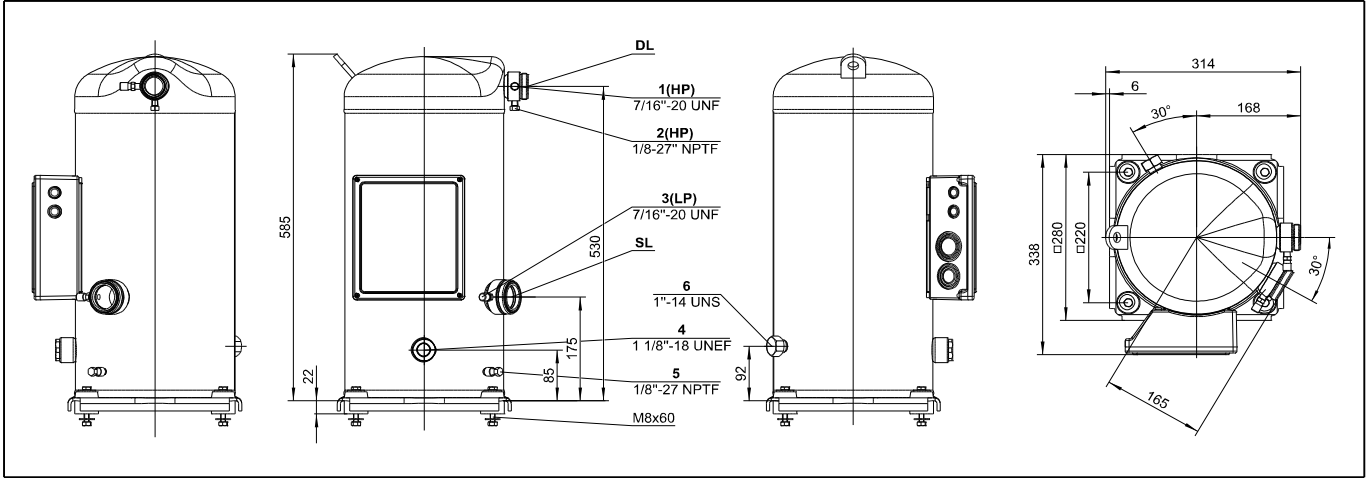


: ESH725-40S



-	(2900 / 50)	25 m3/h
-	(3500 / 60)	30,2 m3/h
	(.)	380-420V Y-3-50 Hz
	()	17 A
	()	95 A
	(/)	84 kg
		17 / 28 bar
"	"	28 - 1 1/8 (Option)
"	"	28 - 1 1/8 (Option)
"	"	22 - 7/8 (Standard "B" version)
"	"	28 - 1 1/8 (Option)
"	"	28 - 1 1/8 (Option)
"	"	35 - 1 3/8 (Standard "B" version)
R22		B5.2 (Standard)
R134a/R404A/R507A/R407C		BSE35K (Option)
		4,0 dm3
		65 W (Option)
		Option
		SE-B2 (Standard)
		SE-E1 (Option)
		Standard
	(+5°C/50°C) @50	70,8 dB(A) @ 50Hz
	(-10°C/45°C) @50	73,4 dB(A) @ 50Hz
	@1 (+5°C/50°C) @50	62,8 dB(A) @ 50Hz
	@1 (-10°C/45°C) @50	65,4 dB(A) @ 50Hz