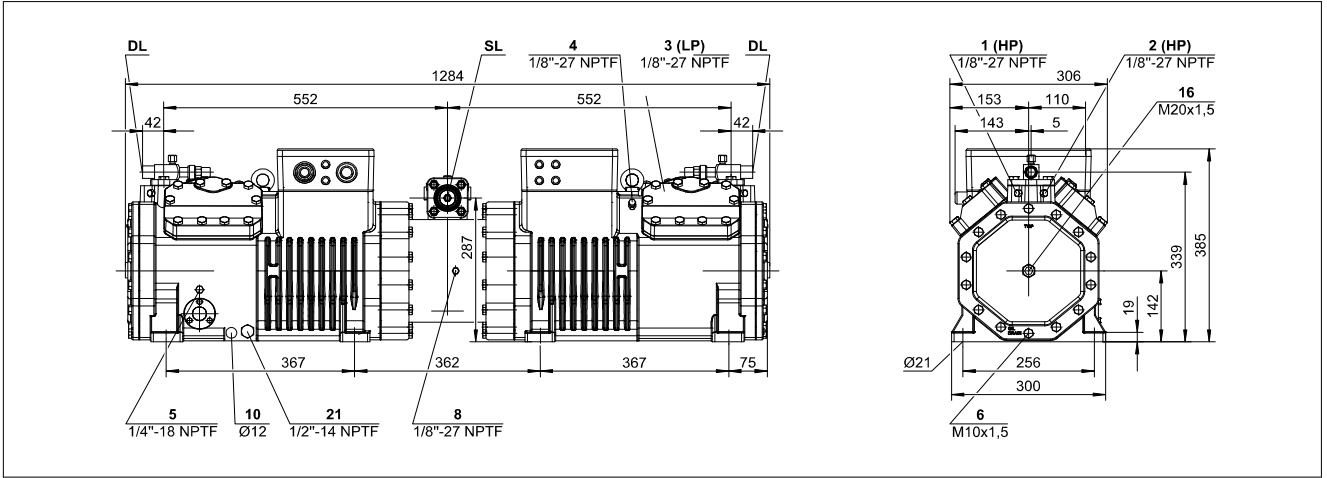




Version 5.3.1

01.08.2011 /

: 44VCS-20.2Y-25P



- (1450 / 50) 69,5 m3/h
- (1750 / 60) 83,8 m3/h
- (.) 4+4 x 55 mm x 42 mm
- () 220-240V PW-3-50 Hz
- (/) 2x36.0 A
- () 50/50
- () 2x102.0 A Y / 2x171.0 A YY
- (/) 288 kg
- (/) 19 / 28 bar
- (/) 42 mm - 1 5/8"
- (/) 2x22 mm - 7/8"
- (/) tc<55°C: BSE32 / tc>55°C: BSE55 (Option)
- (/) B5.2 (Standard)
- (/) 6,10 dm
- (/) 2 x 0..140 W PTC (Option)
- (/) OLC-K1 (Option)
- (/) Option
- (/) Option
- (/) SE-B1
- (/) IP65
- (/) Option
- (/) 100-75-50-25% (Option)
- (/) Option
- (/) Standard
- (/) (+5°C/50°C) @50 74,5 dB(A) @ 50Hz
- (/) (-10°C/45°C) @50 75,5 dB(A) @ 50Hz
- (/) (-35°C/40°C) @50 (80,5) dB(A) @ 50Hz
- (/) @1 (+5°C/50°C) @50 66,5 dB(A) @ 50Hz
- (/) @1 (-10°C/45°C) @50 67,5 dB(A) @ 50Hz
- (/) @1 (-35°C/40°C) @50 (72,5) dB(A) @ 50Hz