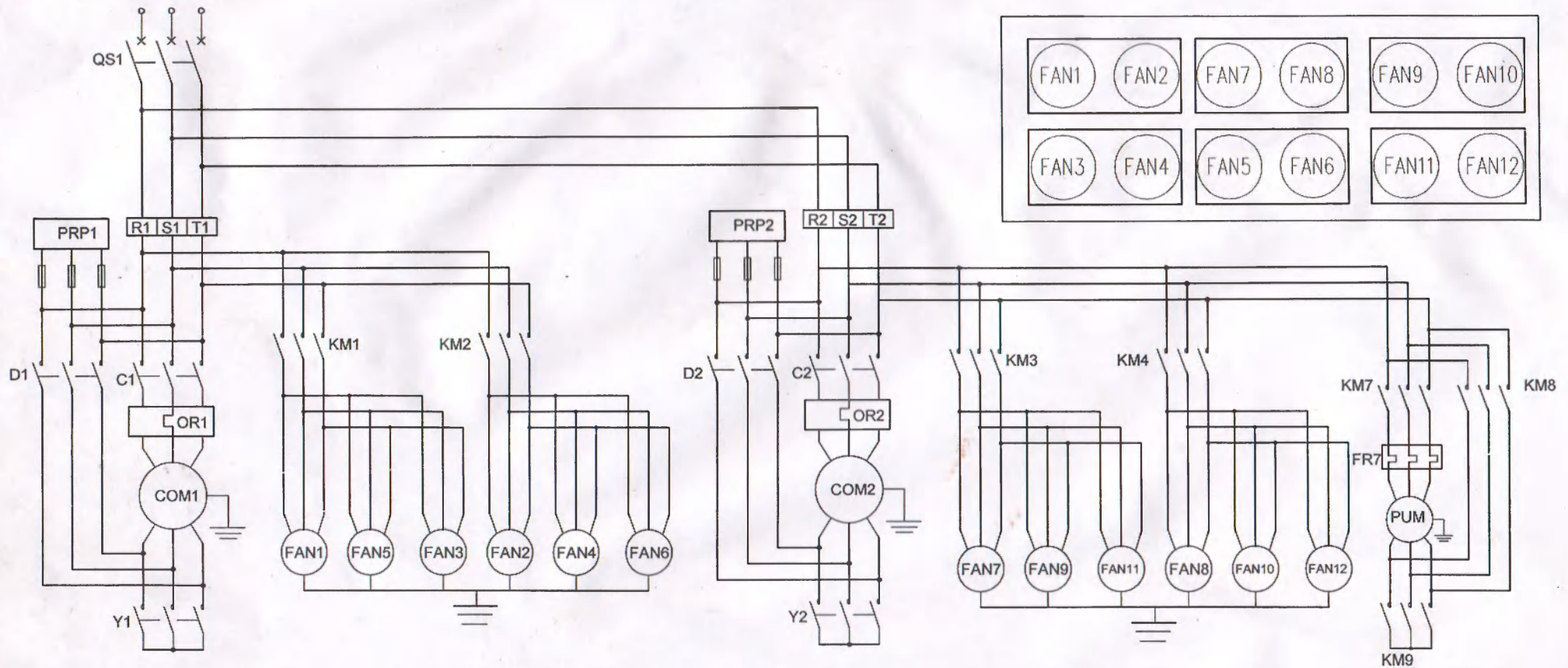


3Φ380V/50HZ

Note: the diagram dotted part customer self-care



YV11/21	25% Electromagnetic valve	YV16/26	Economizer valve	COM1~2	Compressor	KM1-6	Contactor	QS1	Circuit breaker	CH1~2	Heater
YV12/22	50% Electromagnetic valve	YV17/27	Hydraulic valve	C1~2	Contactor	K1~5	Intermediate relay	TR1	Transformer	PRP1~2	Phase sequence protection
YV13/23	75% Electromagnetic valve	FP1~12	Fan protection	D1~2	Contactor	KM7-9	Contactor	KG1	Emergency stop switch	FU0~7	Fuse
YV14/24	Motor spray valve	KT	Time relay	Y1~2	Contactor	OR1~2	Thermal relay	KG2	External switch	HP1~2	High voltage switch
YV15/25	Oil valve	BFS	Flow switch	OY1~2	Differential protection	FR7	Thermal relay	CPUE	External linkage	LP1~2	Low pressure switch
IT1~2	Machine protection	OP1~2	Level of protection								

Change record	Date	Mark	Design	Huangyanxiu	Audit	Luoyuexie
			Proofing	Wendaofu	approval	Sunshaohua
					Date	2012、09、19



STARS (GUANGZHOU) REFRIGERATING EQUIPMENT
MANUFACTURING CO., LTD

Name	Air cooled chillers
number	40STE-S310ADDL3(2-1)